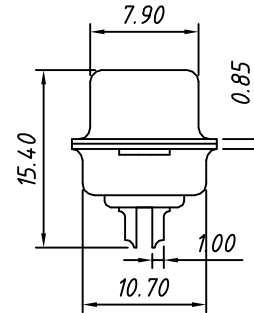
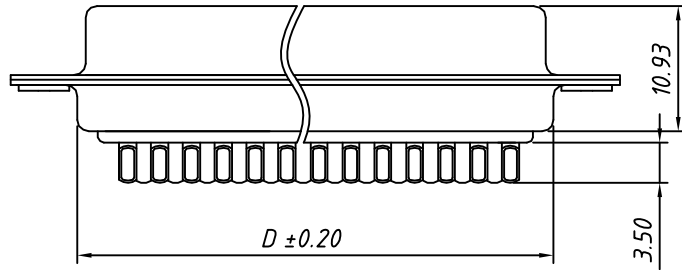
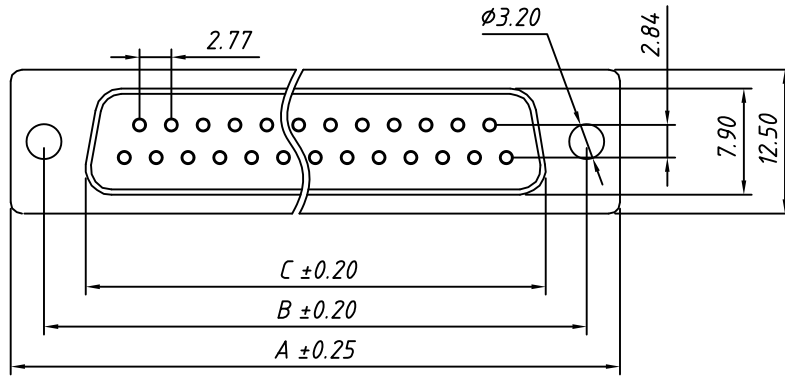


1 RoHS Compliant



Material:
 Housing: PBT+30% Glass filled,UL94V-0
 Contacts: Brass,
 Gold Plating on Contact Area,
 Tin on Solder Tail.
 Shell: Steel,
 Front Shell Nickel Plating,
 Back Shell Tin Plating

Electrical Characteristics:
 Current Rating: 5 AMP
 Insulator Resistance: 1000MΩ Min. at DC 500V
 Withstanding Voltage: 500V AC (rms) for 1 minute
 Contact Resistance: 20mΩ Max. Initial
 Operating Temperature: -55°C ~ +105°C

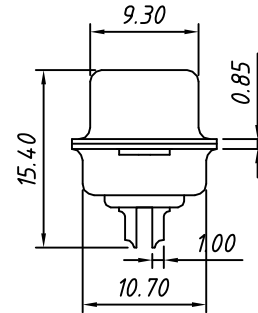
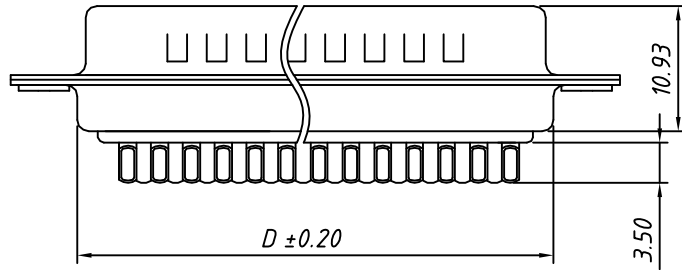
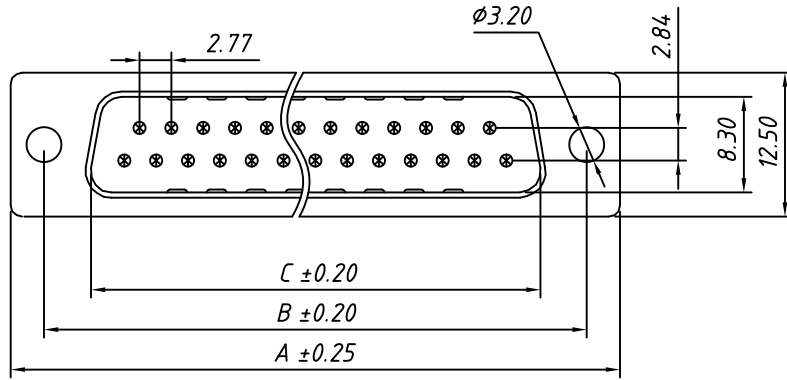
Order Information

L - KLS1 - 225 - XX - F - L
 RoHS _____
 D-SUB Connector, _____
 2 Row Solder type, Traditional Terminal _____
 XX-No. of 09,15,25,37,50pins _____
 Connector type: M-Male F-Female _____
 Housing Color: _____
 L-Blue B-Black W-White

Number of Contacts	DIMENSION			
	A±0.25	B±0.20	C±0.20	D±0.20
09	30.80	25.00	16.50	19.10
15	39.20	33.32	24.70	27.50
25	53.04	47.04	38.50	41.30
37	69.40	63.50	54.80	57.70

GENERAL TOLERANCE	PROJECTION		Description:
X. ±0.30	UNITS	mm	D-SUB Connector, Traditional TERM. Solder Type, Female
.X ±0.25	SCALE	1:1	
.XX ±0.20	Draw by:	Daniel	
ANGLE TOLERANCE	Check by:	Daniel	KLS P/N: L-KLS1-225-XX-F-L
X. ±3°	Date	2018-03-01	NingBo KLS ELECTRONIC CO.,L TD.
.X ±2°	SHEET	1 OF 1	
.XX ±1°			

1 RoHS Compliant



Material:
 Housing: PBT+30% Glass filled ,UL 94V-0
 Contacts: Brass ,
 Gold Plating on Contact Arer,
 Tin on Solder Tail.
 Shell: Steel,
 Front Shell Nickel Plating,
 Back Shell Tin Plating

Electrical Characteristics:
 Current Rating: 5 AMP
 Insulator Resistance: 1000MΩ Min. at DC 500V
 Withstanding Voltage: 500V AC (rms) for 1 minute
 Contact Resistance: 20mΩ Max. Initial
 Operating Temperature: -55°C ~ +105°C

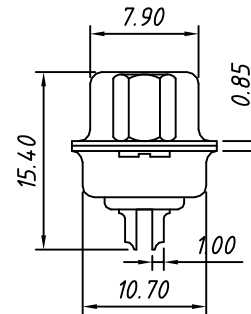
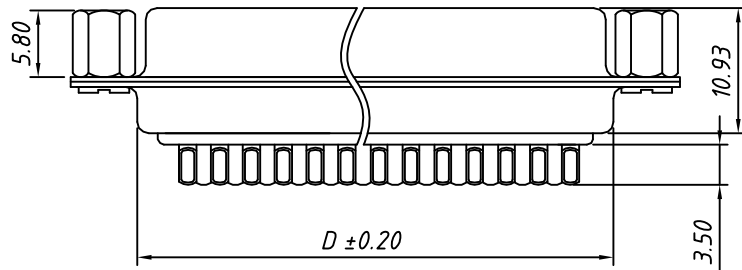
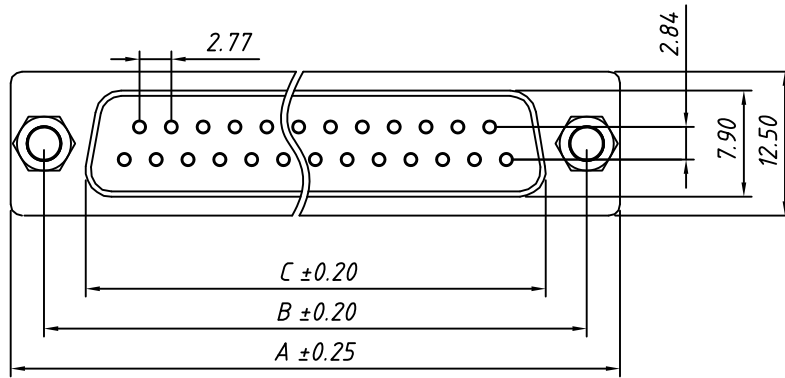
Order Information

L - KLS1 - 225 - XX - M - L
 RoHS _____
 D-SUB Connector, _____
 2 Row Solder type, Traditional Terminal _____
 XX-No. of 09,15,25,37,50pins _____
 Connector type: M-Male F-Female _____
 Housing Color: _____
 L-Blue B-Black W-White

Number of Contacts	DIMENSION			
	A±0.25	B±0.20	C±0.20	D±0.20
09	30.80	25.00	17.79	19.10
15	39.20	33.32	25.30	27.50
25	53.04	47.04	38.96	41.30
37	69.40	63.50	55.40	57.70

GENERAL TOLERANCE	PROJECTION		Description:
X. ±0.30	UNITS	mm	D-SUB Connector, Traditional TERM. Solder Type, Male
.X ±0.25	SCALE	1:1	
.XX ±0.20	Draw by:	Daniel	KLS P/N: L-KLS1-225-XX-M-L
ANGLE TOLERANCE	Check by:	Daniel	NingBo KLS ELECTRONIC CO.,L TD.
X. ±3°	Date	2018-03-01	
.X ±2°	SHEET	1 OF 1	

1 RoHS Compliant



Material:
 Housing: PBT+30% Glass filled ,UL94V-0
 Contacts: Brass ,
 Gold Plating on Contact Arer,
 Tin on Solder Tail.
 Shell: Steel,
 Front Shell Nickel Plating,
 Back Shell Tin Plating

Electrical Characteristics:
 Current Rating: 5 AMP
 Insulator Resistance: 1000MΩ Min. at DC 500V
 Withstanding Voltage: 500V AC (rms) for 1 minute
 Contact Resistance: 20mΩ Max. Initial
 Operating Temperature: -55°C ~ +105°C

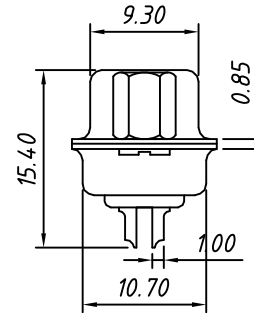
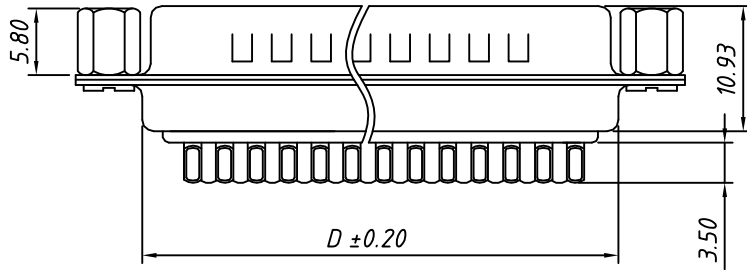
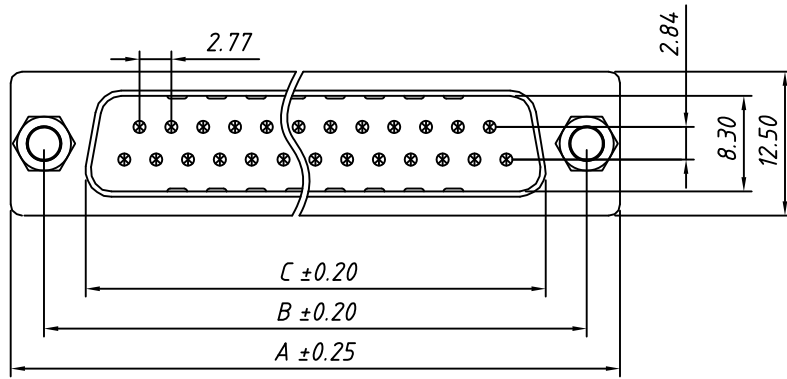
Order Information

L - KLS1 - 225A - XX - F - L
 RoHS _____
 D-SUB Connector, _____
 2 Row Solder type,Riveting Before _____
 XX-No.of 09,15,25,37,50pins _____
 Connector type: M-Male F-Female _____
 Housing Color: _____
 L-Blue B-Black W-White

Number of Contacts	DIMENSION			
	A±0.25	B±0.20	C±0.20	D±0.20
09	30.80	25.00	16.50	19.10
15	39.20	33.32	24.70	27.50
25	53.04	47.04	38.50	41.30
37	69.40	63.50	54.80	57.70

GENERAL TOLERANCE	PROJECTION		Description:
X. ±0.30	UNITS	mm	D-SUB Connector, Solder Type,Female,Riveting Before
.X ±0.25	SCALE	1:1	
.XX ±0.20	Draw by:	Daniel	KLS P/N: L-KLS1-225A-XX-F-L
ANGLE TOLERANCE	Check by:	Daniel	NingBo KLS ELECTRONIC CO.,L TD.
X. ±3°	Date	2018-03-01	
.X ±2°	SHEET	1 OF 1	

1 RoHS Compliant



Material:
 Housing: PBT+30% Glass filled ,UL94V-0
 Contacts: Brass ,
 Gold Plating on Contact Arer,
 Tin on Solder Tail.
 Shell: Steel,
 Front Shell Nickel Plating,
 Back Shell Tin Plating

Electrical Characteristics:
 Current Rating: 5 AMP
 Insulator Resistance: 1000MΩ Min. at DC 500V
 Withstanding Voltage: 500V AC (rms) for 1 minute
 Contact Resistance: 20mΩ Max. Initial
 Operating Temperature: -55°C ~ +105°C

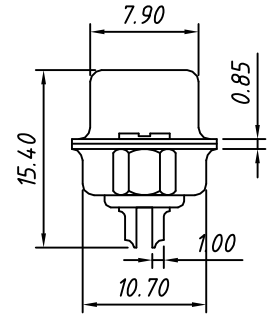
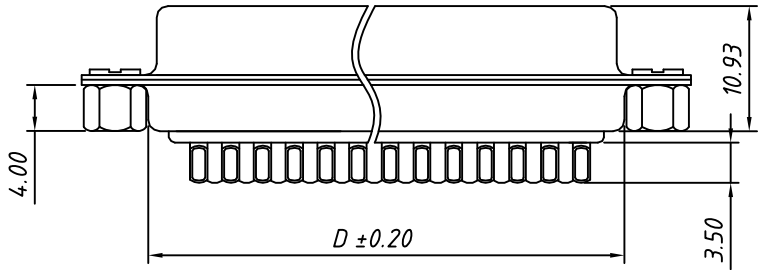
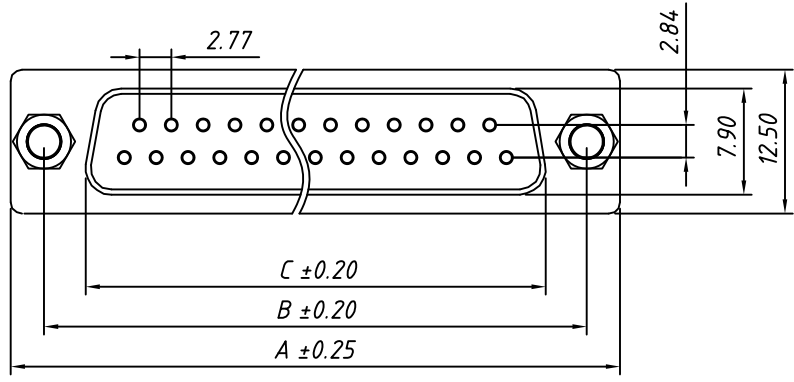
Order Information

L - KLS1 - 225A - XX - M - L
 RoHS _____
 D-SUB Connector, _____
 2 Row Solder type,Riveting Before _____
 XX-No.of 09,15,25,37,50pins _____
 Connector type: M-Male F-Female _____
 Housing Color: _____
 L-Blue B-Black W-White

Number of Contacts	DIMENSION			
	A±0.25	B±0.20	C±0.20	D±0.20
09	30.80	25.00	17.79	19.10
15	39.20	33.32	25.30	27.50
25	53.04	47.04	38.96	41.30
37	69.40	63.50	55.40	57.70

GENERAL TOLERANCE	PROJECTION		Description:
X. ±0.30	UNITS	mm	D-SUB Connector, Solder Type, Male, Riveting Before
.X ±0.25	SCALE	1:1	
.XX ±0.20	Draw by:	Daniel	KLS P/N: L-KLS1-225A-XX-M-L
ANGLE TOLERANCE	Check by:	Daniel	NingBo KLS ELECTRONIC CO.,L TD.
X. ±3°	Date	2018-03-01	
.X ±2°	SHEET	1 OF 1	

1
RoHS Compliant



Material:
Housing: PBT+30% Glass filled ,UL94V-0
Contacts: Brass ,
Gold Plating on Contact Arer,
Tin on Solder Tail.
Shell: Steel,
Front Shell Nickel Plating,
Back Shell Tin Plating

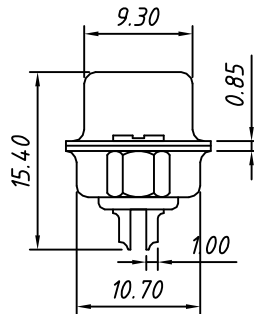
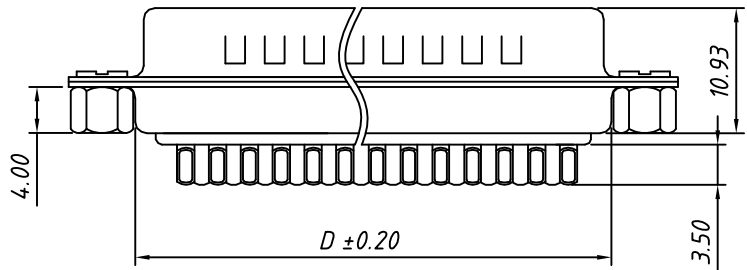
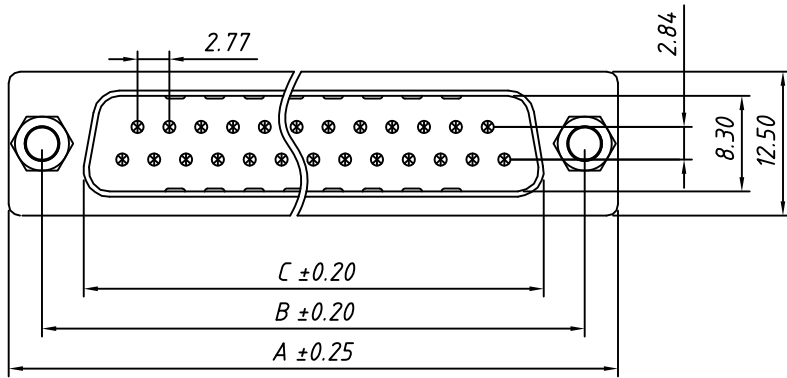
Electrical Characteristics:
Current Rating: 5 AMP
Insulator Resistance: 1000MΩ Min. at DC 500V
Withstanding Voltage: 500V AC (rms) for 1 minute
Contact Resistance: 20mΩ Max. Initial
Operating Temperature: -55°C ~ +105°C

Order Information
L - KLS1 - 225D - XX - F - L
RoHS _____
D-SUB Connector,
2 Row Solder type,Riveting After
XX-No.of 09,15,25,37,50pins _____
Connector type: M-Male F-Female _____
Housing Color: _____
L-Blue B-Black W-White

Number of Contacts	DIMENSION			
	A±0.25	B±0.20	C±0.20	D±0.20
09	30.80	25.00	16.50	19.10
15	39.20	33.32	24.70	27.50
25	53.04	47.04	38.50	41.30
37	69.40	63.50	54.80	57.70

GENERAL TOLERANCE	PROJECTION		Description:
X. ±0.30	UNITS	mm	D-SUB Connector, Solder Type, Female, Riveting After
.X ±0.25	SCALE	1:1	
.XX ±0.20	Draw by:	Daniel	KLS P/N: L-KLS1-225D-XX-F-L
ANGLE TOLERANCE	Check by:	Daniel	NingBo KLS ELECTRONIC CO.,L TD.
X. ±3°	Date	2018-03-01	
.X ±2°	SHEET	1 OF 1	

1
RoHS Compliant



Material:
Housing: PBT+30% Glass filled ,UL94V-0
Contacts: Brass ,
Gold Plating on Contact Arer,
Tin on Solder Tail.
Shell: Steel,
Front Shell Nickel Plating,
Back Shell Tin Plating

Electrical Characteristics:
Current Rating: 5 AMP
Insulator Resistance: 1000MΩ Min. at DC 500V
Withstanding Voltage: 500V AC (rms) for 1 minute
Contact Resistance: 20mΩ Max. Initial
Operating Temperature: -55°C ~ +105°C

Order Information

L - KLS1 - 225D - XX - M - L
RoHS _____
D-SUB Connector, _____
2 Row Solder type,Riveting After _____
XX-No.of 09,15,25,37,50pins _____
Connector type: M-Male F-Female _____
Housing Color: _____
L-Blue B-Black W-White

Number of
Contacts

DIMENSION

	A±0.25	B±0.20	C±0.20	D±0.20
09	30.80	25.00	17.79	19.10
15	39.20	33.32	25.30	27.50
25	53.04	47.04	38.96	41.30
37	69.40	63.50	55.40	57.70

GENERAL TOLERANCE	PROJECTION		Description:
X. ±0.30	UNITS	mm	D-SUB Connector, Solder Type, Male, Riveting After
.X ±0.25	SCALE	1:1	
.XX ±0.20	Draw by:	Daniel	KLS P/N: L-KLS1-225D-XX-M-L
ANGLE TOLERANCE	Check by:	Daniel	NingBo KLS ELECTRONIC CO.,L TD.
X. ±3°	Date	2018-03-01	
.X ±2°	SHEET	1 OF 1	