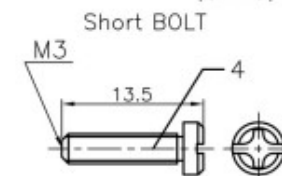
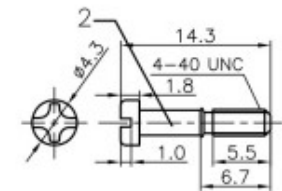
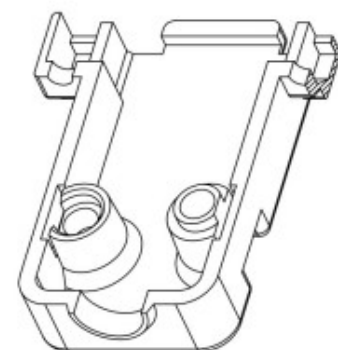


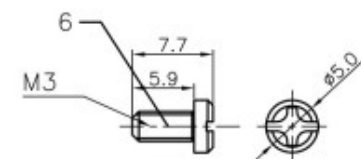
REV.	DESCRIPTION	DRAWN	CHECKED	APPROVED
A	NEW RELEASE	LJH 08/13/05'	~	LJC 08/13/05'
B	整理図面	YCH 09/13/07'	~	

BOM LIST			
ITEM	PART NAME	Q'ty	NOTES
1	PLASTIC HOOD	2	ABS
2	2.1 LONG BOLT	2	#4-40
	2.2 SHORT BOLT	2	#4-40
3	NUT	2	M3
4	LONG SCREW	2	M3
5	SMALL WASHER	2	
6	SHORT SCREW	2	M3
7	7.1 METAL WASHER	2	M3
	7.2 PLASTIC-1 WASHER	2	ABS
	7.3 PLASTIC-2 WASHER	2	ABS

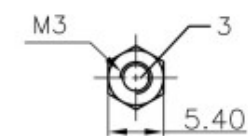
DSUB PLASTIC CASE (DP-9C)



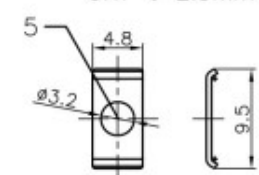
LONG SCREW



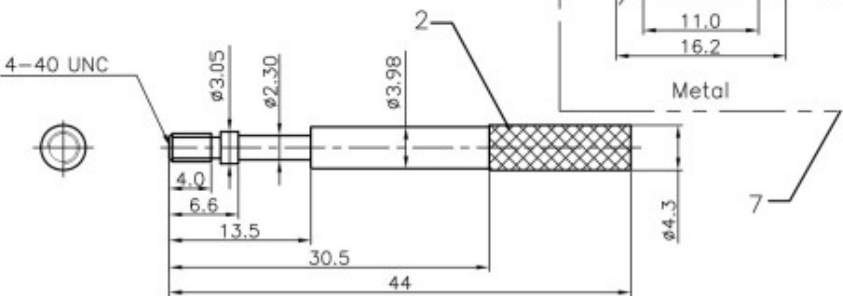
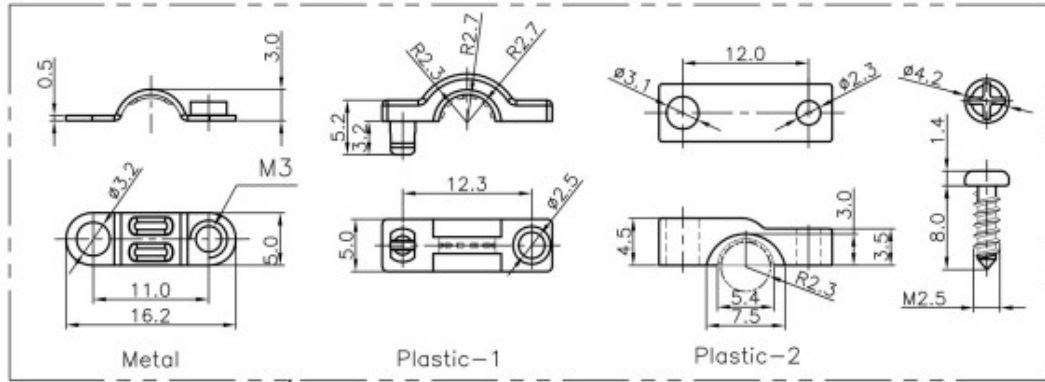
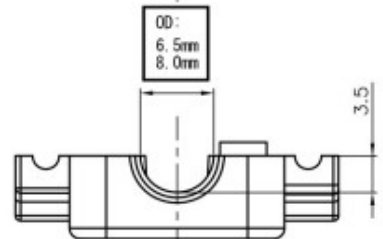
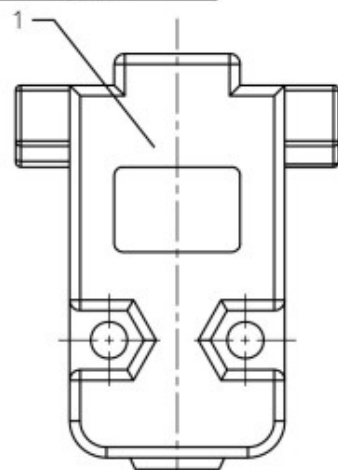
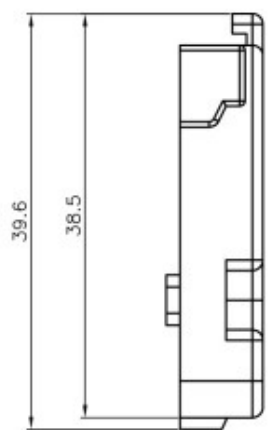
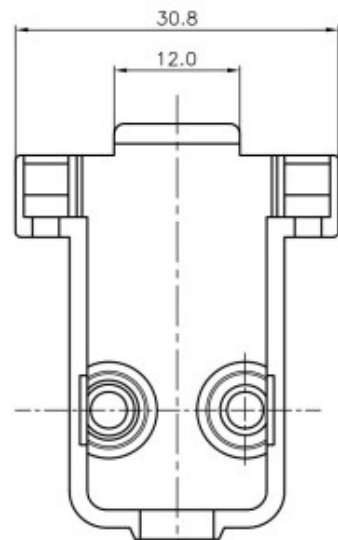
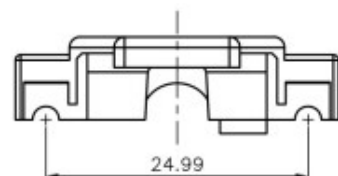
SHORT SCREW



UNT t=2.3mm



SMALL WASHER



Long BOLT

GENERAL TOLERANCE	ANGLE TOLERANCE	PROJECTION	TITLE
X. ±0.60	X. ±5'	UNITS mm	D-SUB 9pin Hood Chromium Plated
.X ±0.38	.X ±3'	SHEET SIZE A4	
.XX ±0.25	.XX ±2'		

DRAWING TYPE	COSTOMER
SCALE 1:1	SHEET 1 OF 1
DRAWING NO.	

RUICHI