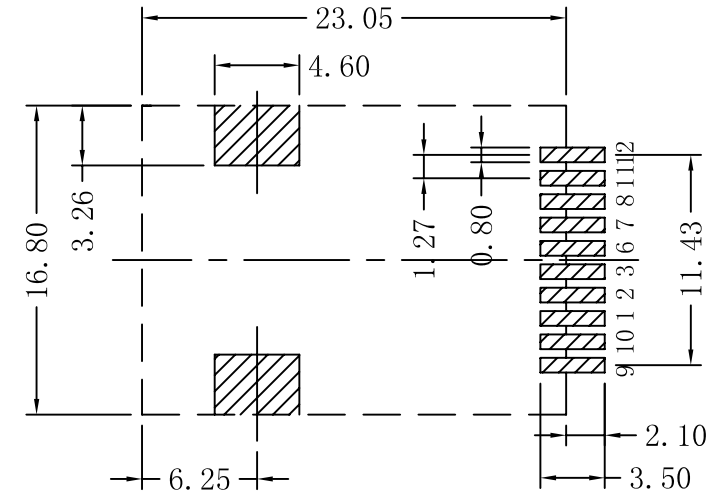
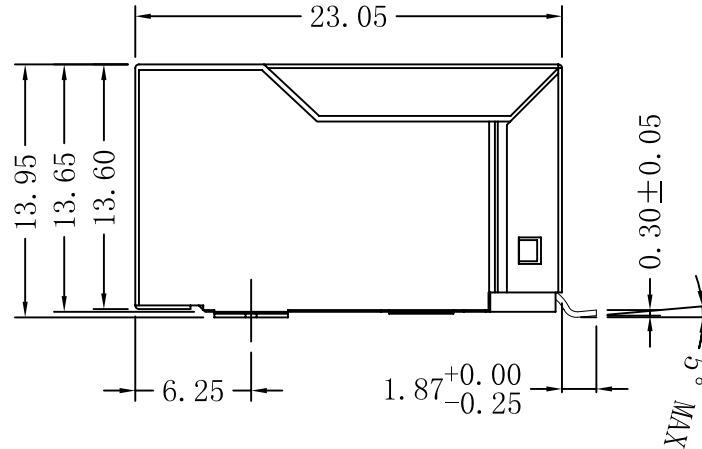
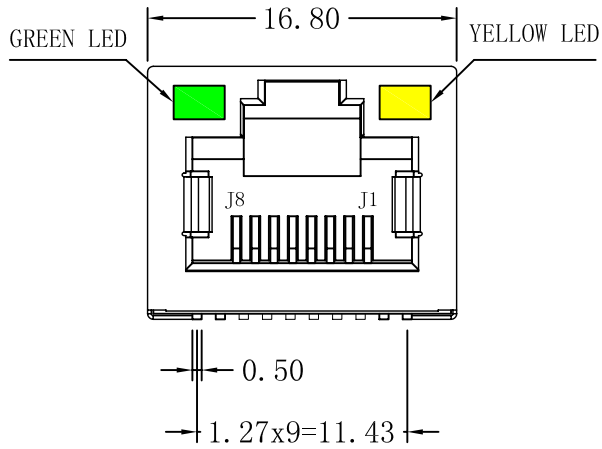


Mechanical:

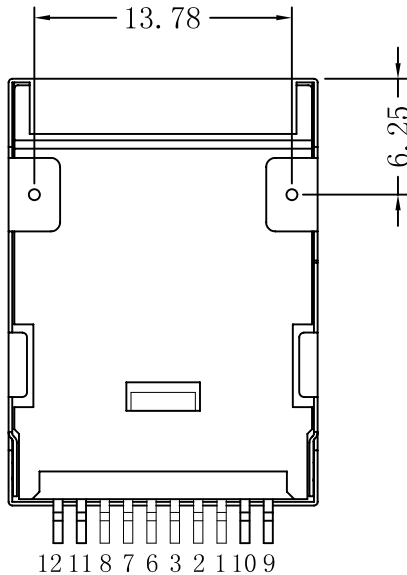
REV.	ECN NO.	DESCRIPTION	DATE	APPD
A	REL		2011/03/17	



SUGGESTED PCB LAYOUT (TOP VIEW)

NOTES:

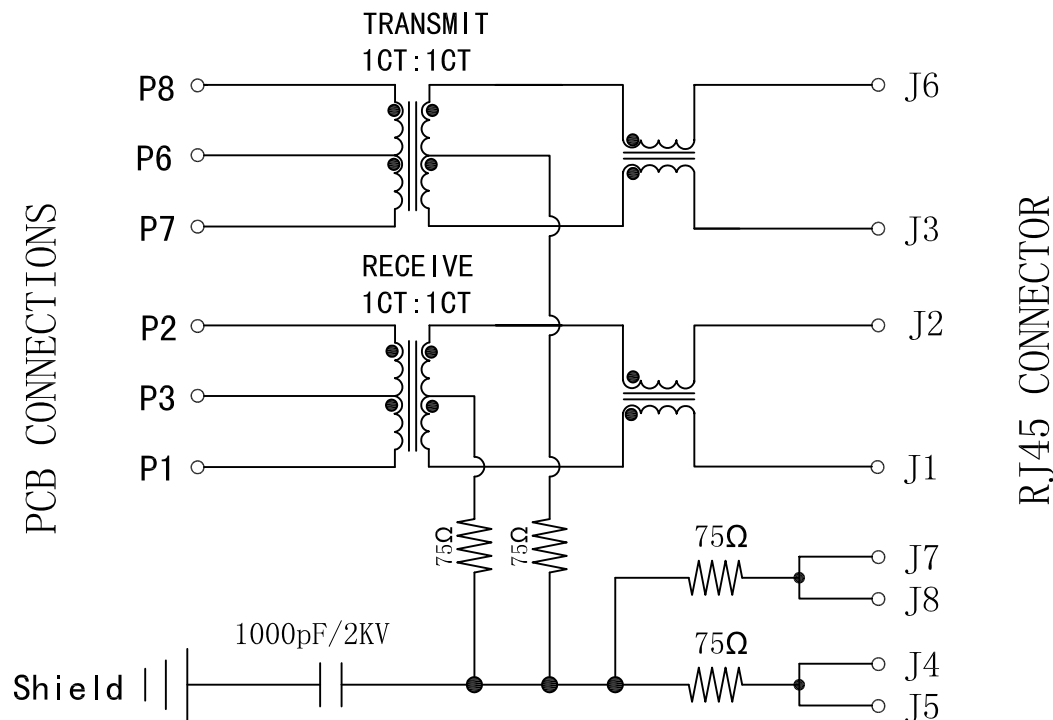
1. Designed to support application, such as SOHO (ADSL modems), LAN-on-Motherboard (LOM), hub and Switches.
2. Meets IEEE 802.3 specification
3. Connector Materials:
 Housing: Thermoplastic UL94V-0
 Contact/Shield: Copper alloy
 Shield plating: Nickel
 Contact plating: Gold 6 micro-inches min. In contact area.
4. Wave solder tip temperature: 265°C Max
 Wave solder tip temperature time: 5 Sec Max
5. UL Certification: File Number E321120



X:X	±0.30	APPD:	Trxcom
X:XX	±0.25	CHKD:	ShenZhen Trxcom Electronics Co., ltd
X:XXX	±0.05	DR: C.H.Y	TITLE: Surface Mount 1×1 Tab-Up Jack With 10/100 Magnetic
ANGLES	±1°	UNIT: mm	PART NO.: TRJ19401BBNL
	SCALE: 2/1	SHEET: 1/2	REV: A DWG NO.: TRC11031701

Schematic:

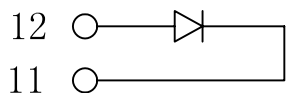
REV.	ECN NO.	DESCRIPTION	DATE	APPD
A	REL		2011/03/17	



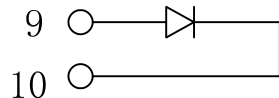
Electrical Specifications @25°C

- Turns Ratio ($\pm 2\%$):
TX=1CT:1CT RX=1CT:1CT
- 350uH Min OCL with 8mA bias current
- Return Loss(dB Min @100 $\Omega \pm 15 \Omega$):
1-60MHz:-14 60-100MHz:-10
- Crosstalk(dB Min):
1-10MHz:-40 30-60MHz:-35
60-100MHz:-20
- Insertion Loss(dB Max):
1-80MHz:-1.0 100MHz:-1.2
- CMRR(dB Min):
1-50MHz:-30 50-130MHz:-20
- IR Reflow peak temperature: 260 degc.
- Isolation Voltage:1500Vrms Min
- Operating Temperature: -40~+85°C

GREEN/LEFT LED



YELLOW/RIGHT LED



X:X	± 0.30	APPD:	Trxcom	
X:XX	± 0.25	CHKD:	ShenZhen Trxcom Electronics Co.,ltd	
X:XXX	± 0.05	DR: C.H.Y	TITLE: Surface Mount 1x1 Tab-Up Jack With 10/100 Magnetic	
ANGLES	$\pm 1^\circ$	UNIT: mm	PART NO.: TRJ19401BBNL	
	SCALE: 2/1	SHEET: 2/2	REV: A	DWG NO.: TRC11031701