

Data sheet

Commercial Art.No.: 05.544.1429.0

Male contact 0,5-1,5 QMM AU

Male contact, stamped Ø 1,6 mm, 0,5-1,5 mm², AWG 20-16, Au



Commercial Art.No.	05.544.1429.0
EAN	4015573083301
Order Unit	200

Technical data

General

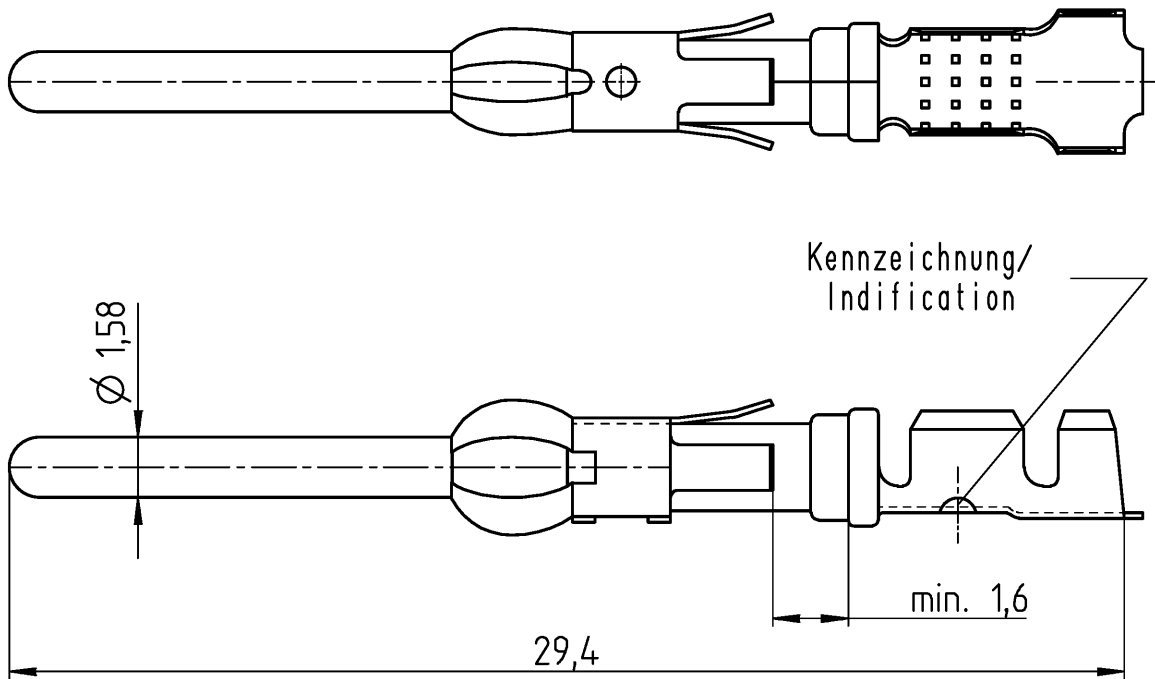
Wire strip length	4 mm
Min. conductor cross section flexible wire	0.5 mm ²
Max. conductor cross section flexible wire	1.5 mm ²
Min. UL/CSA wire diameter flexible wire	20 AWG
Max. UL/CSA wire diameter flexible wire	16 AWG
Connection type	Crimp
Material	Brass
Massive contact	No
Contact pin diameter	1.58 mm
Inflammability class of insulation material acc. with UL94	Other
Contact resistance	≤ 4 mOhm

Classification

ECLASS 11	
ECLASS 8.1	27440204
ETIM 7.0	EC000796
ETIM 6.0	EC000796
ETIM 5.0	EC000796
ETIM 4.0	EC000796
ETIM 3.0	EC000796

Product compliance

ROHS conformity status	Compliant
REACH-SVHC conformity status	Compliant



Weitere Daten siehe Katalog
further data see catalog

= Bandware / tape reeled

Teile-Nr. part number	Material	Oberfläche surface	Kennzeichnung indification	Leitungs- ϕ conductor- ϕ
05.544.0729.0	CuZn	selektivvergoldet	gelb/yellow	0,2 - 0,56 \square
05.544.0700.0		selective gold pl.	/	
05.544.0929.0	CuZn	Glanz-Zinn	gelb/yellow	
05.544.0900.0		tin	/	
05.544.1029.0	CuZn	Glanz-Zinn	blau/blue / ohne/without	0,5 - 1,5 \square
05.544.1000.0		tin	/	
05.544.1429.0	CuZn	selektivvergoldet	blau / blue	
05.544.1400.0		selective gold pl.	/	

Tolerierung Size ISO 14405 $\text{\textcircled{E}}$ / Tolerance system Size ISO 14405 $\text{\textcircled{E}}$.
(This ISO-standard describes the envelope principle. According to the envelope principle the deviations of form and parallelism are limited by the size tolerances).

ja/yes Stoffverbots- und Deklarationsliste nach WN 5020.010 ist einzuhalten.
Conformity with Wieland document WN 5020.010 e (list of prohibited / declarable hazardous substances) to be declared!

Freitoleranz nach
General tolerance

CAD - Zeichnung, keine manuellen Änderungen
CAD - drawing, no manual modifications allowed

1. Verwendung:
First Use:

Blatt: 1 von 1
Sheet: of 1

Werkstoff / Material siehe Tabelle see chart		Tag/Date 08.02.2008	Name Schmitt J.	Zeichnung Nr. / Drawing No. T 05.544.1029.0 01K		Index
Maßstab / Scale %		gezeichnet drawn	geprüft checked	Maße in mm / Dimensions are in mm		
Vol. mm ³ / Of./Srf. mm ²		Ersatz für / Replacement for:				
www.wieland-electric.com		Type	Benennung/Title STECKERKONTAKT plug-in contact			
Index	Datum / Blatt Date / Sheet	Änderung / Revision				