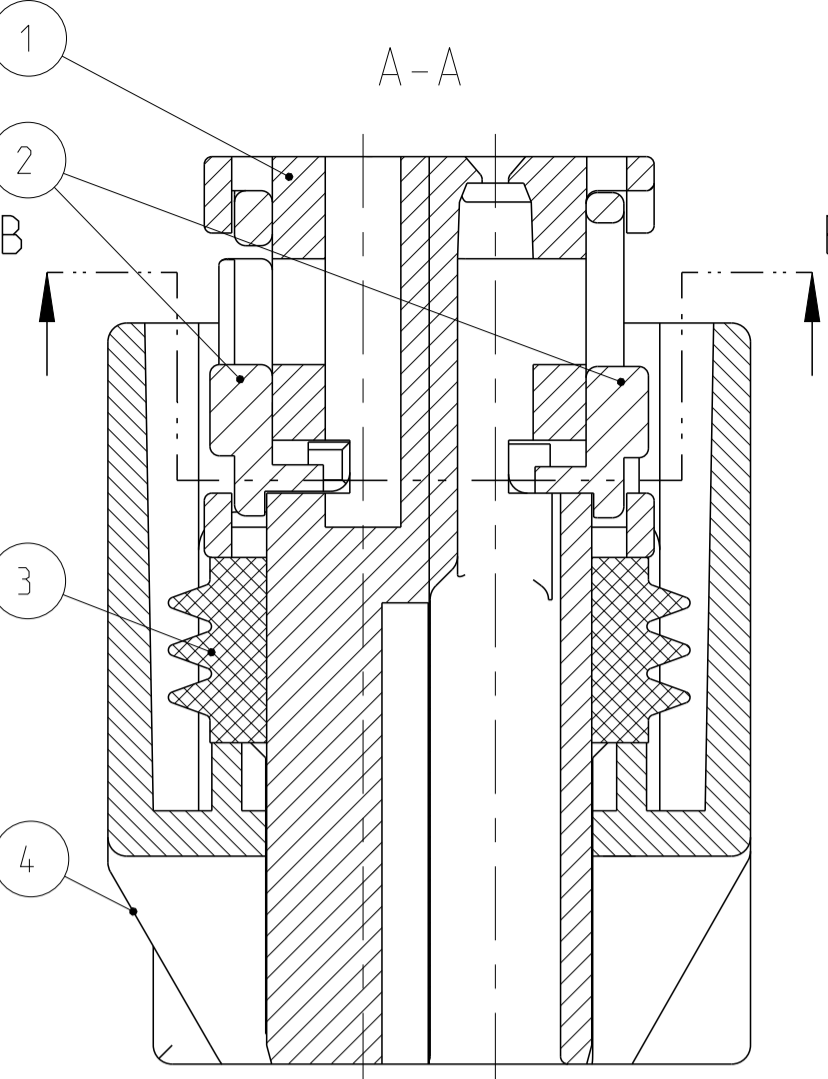
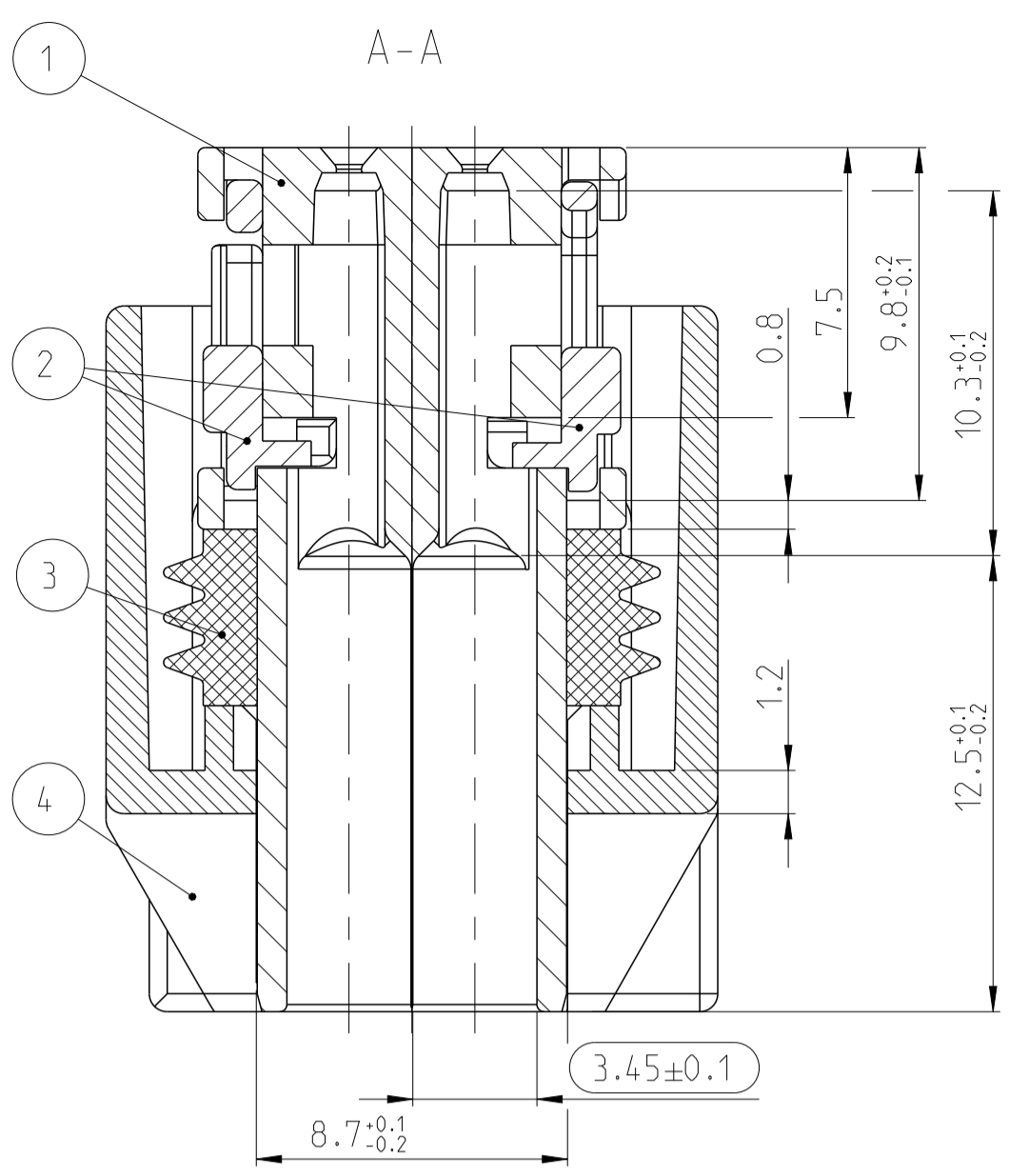
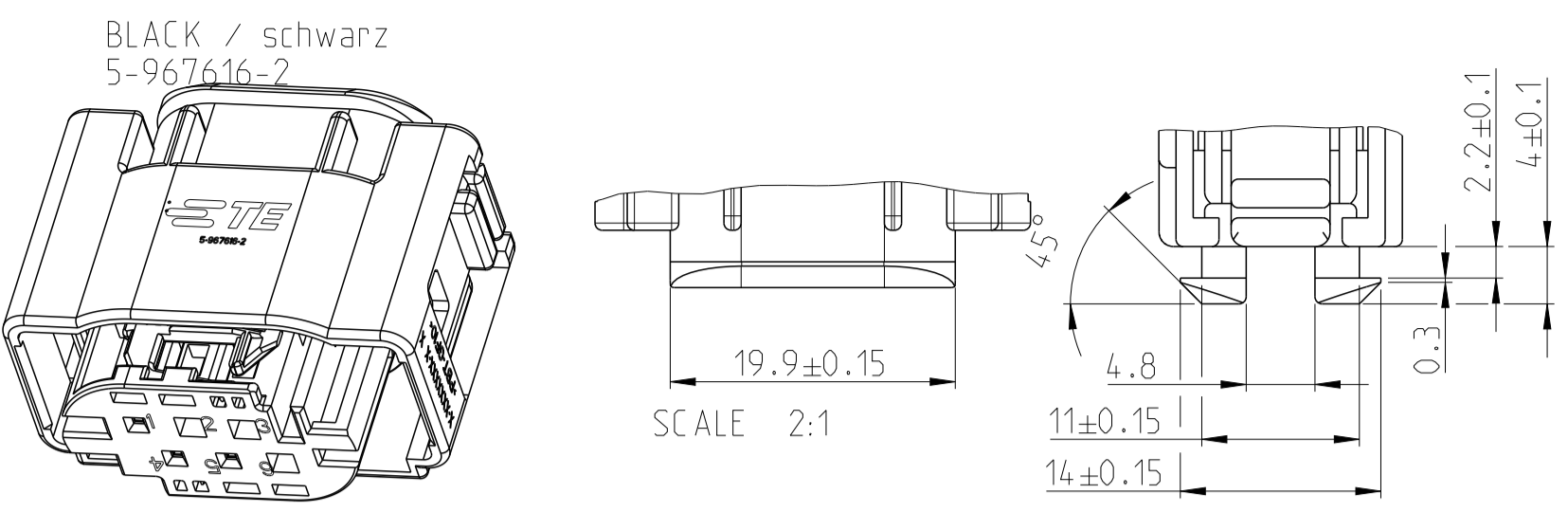
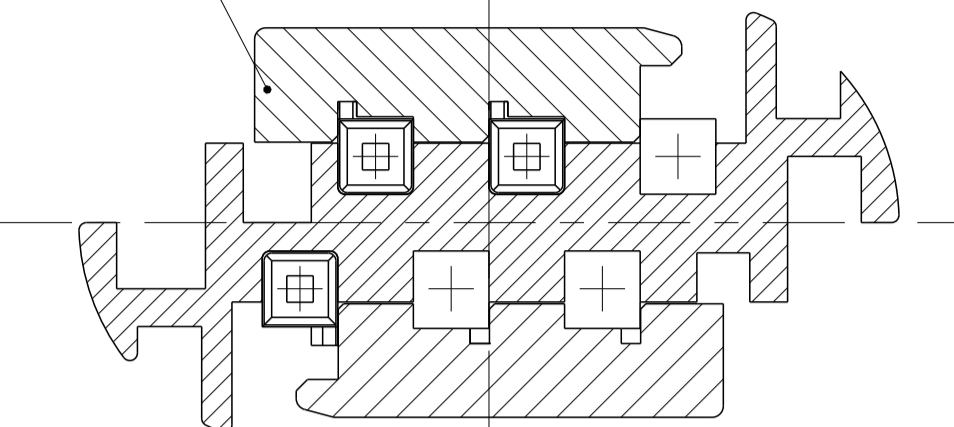


Anschlussbereich fuer Wellrohradapter
CONNECTING AREA FOR CORRUGATED TUBE ADAPTER

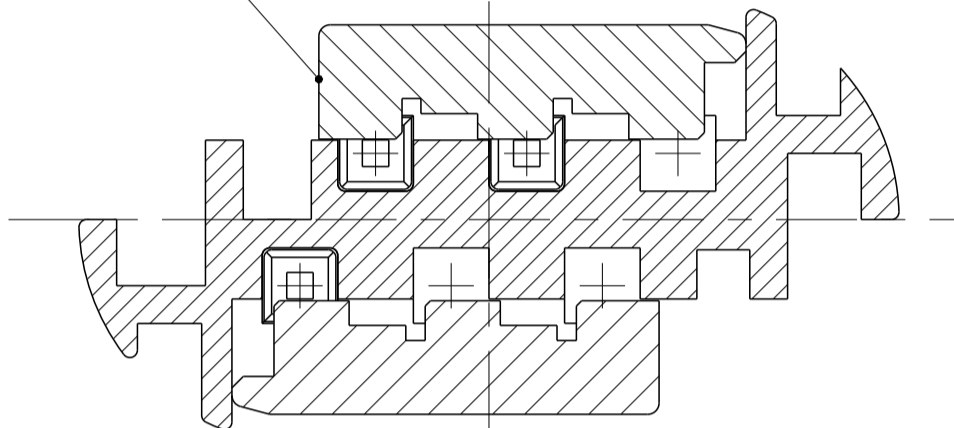


| REVISIONS | | | | |
|-----------|------------------------|-------------|-------------|------------|
| P. | LTN. | DESCRIPTION | DATE | DWN. APVD. |
| F7 | ECR-14-008519 | | 10 JUN 2014 | KK ZP |
| F8 | ECR-15-011999 | | 12 AUG 2015 | Ho. Gilch |
| F9 | SEE PCN E-19-010291 | | 01 JUL 2019 | MAH. Gilch |
| F10 | OBSOLETE PN 7-967616-3 | | 07 JUL 2022 | KMD SCK |

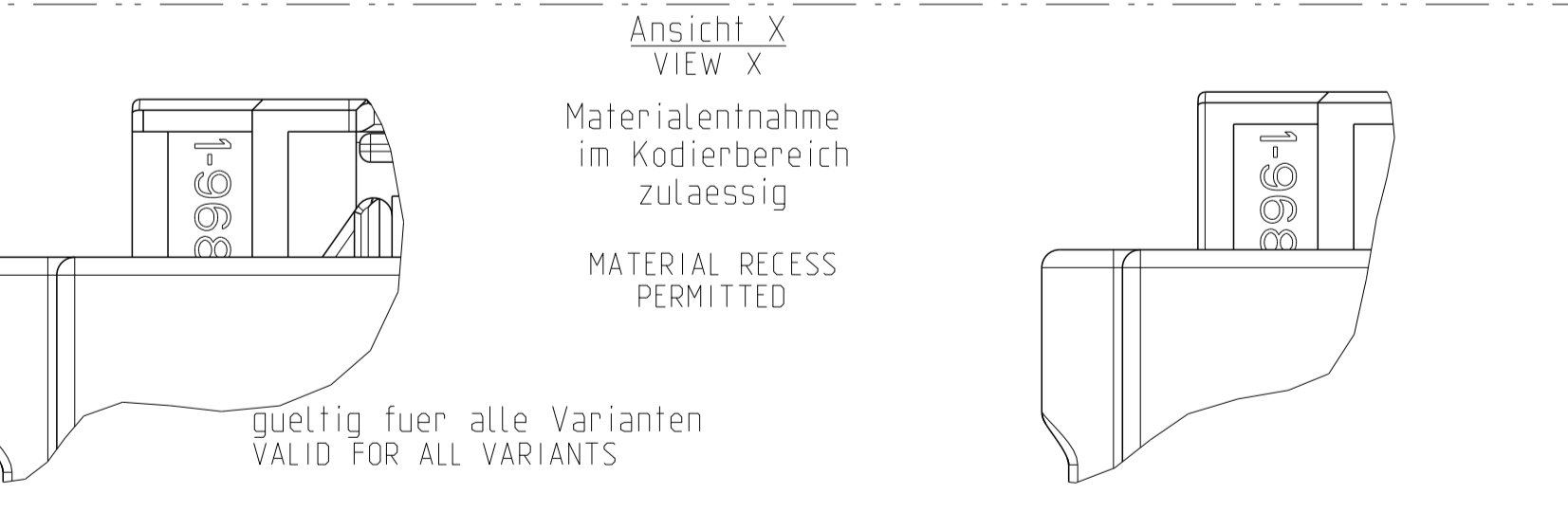
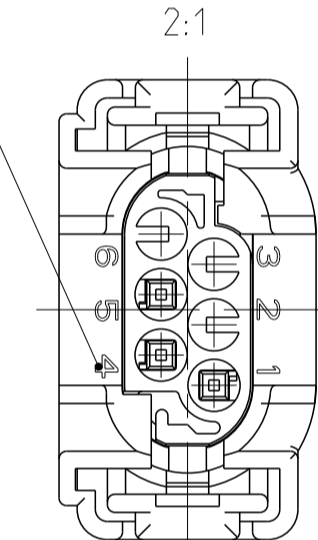
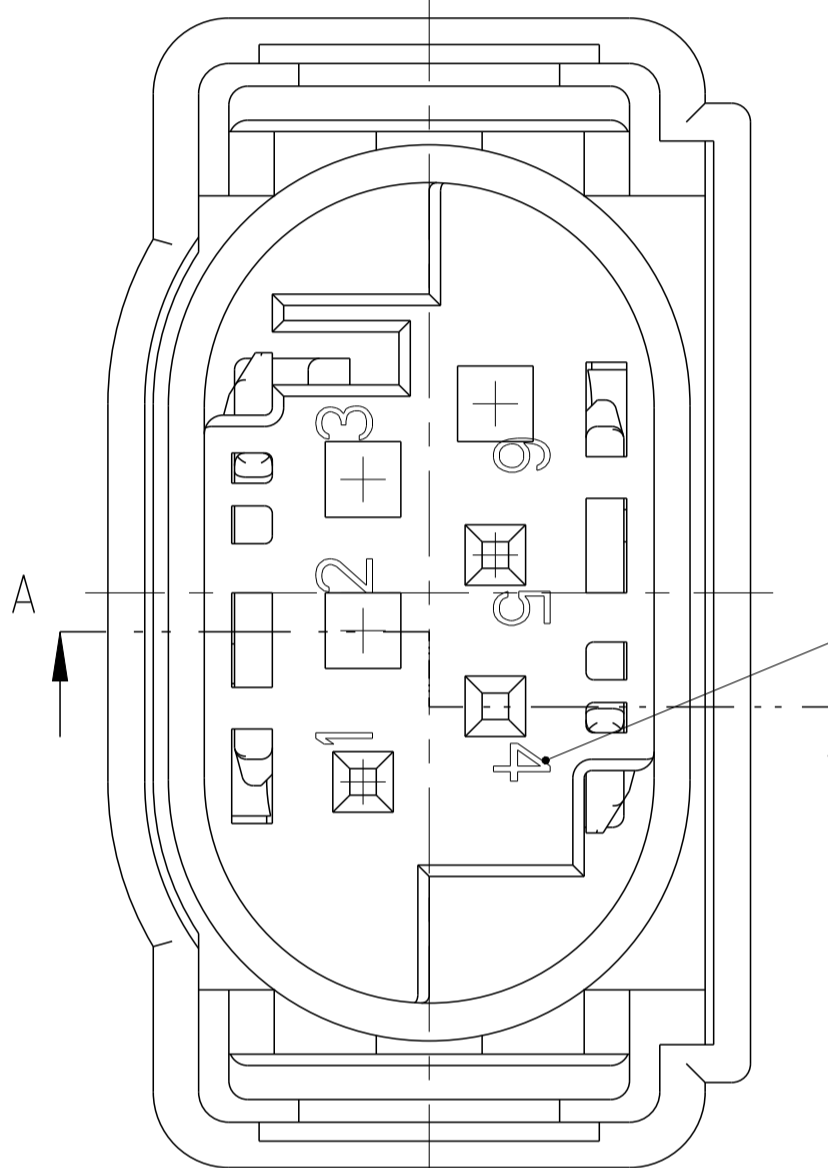
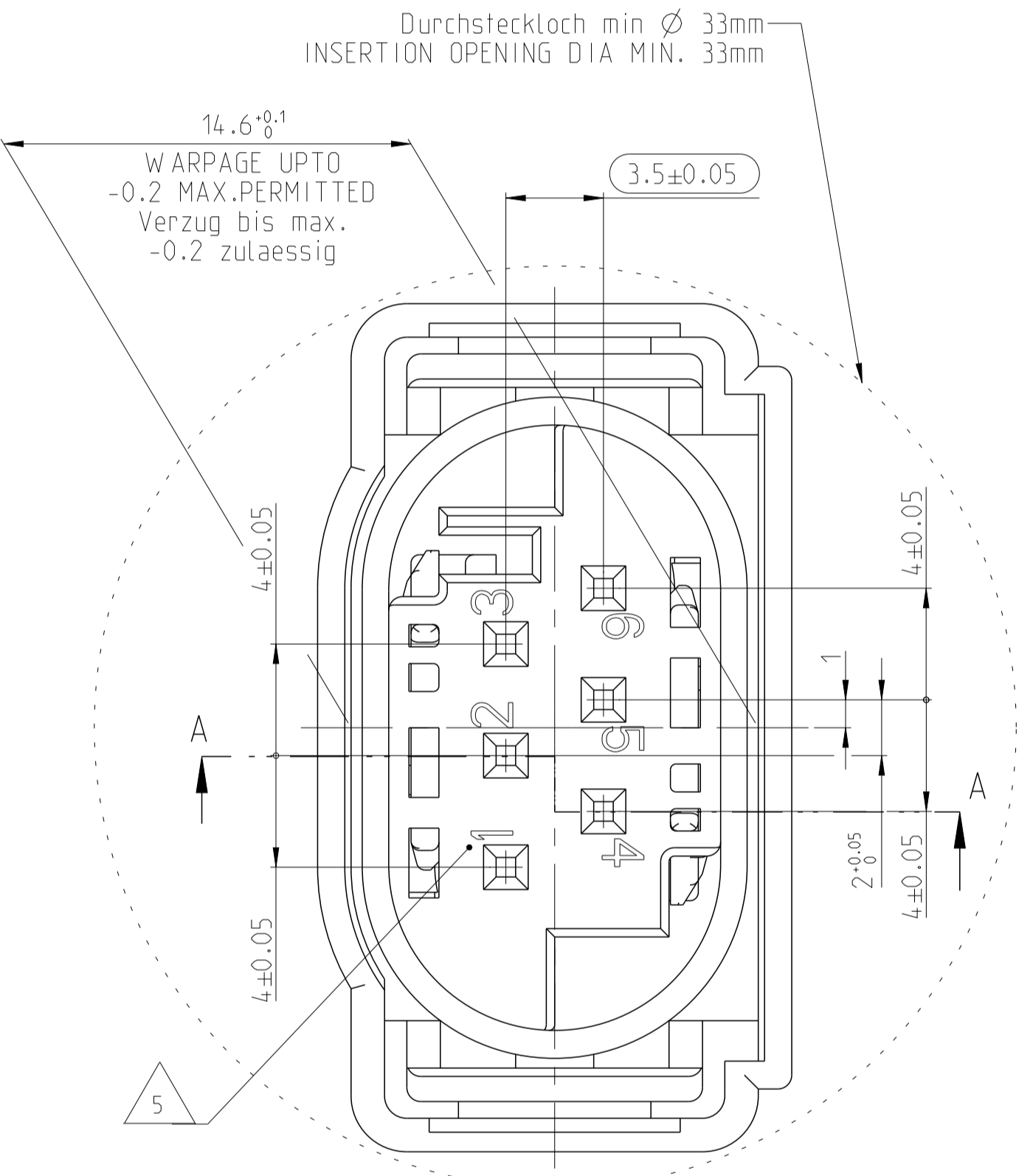
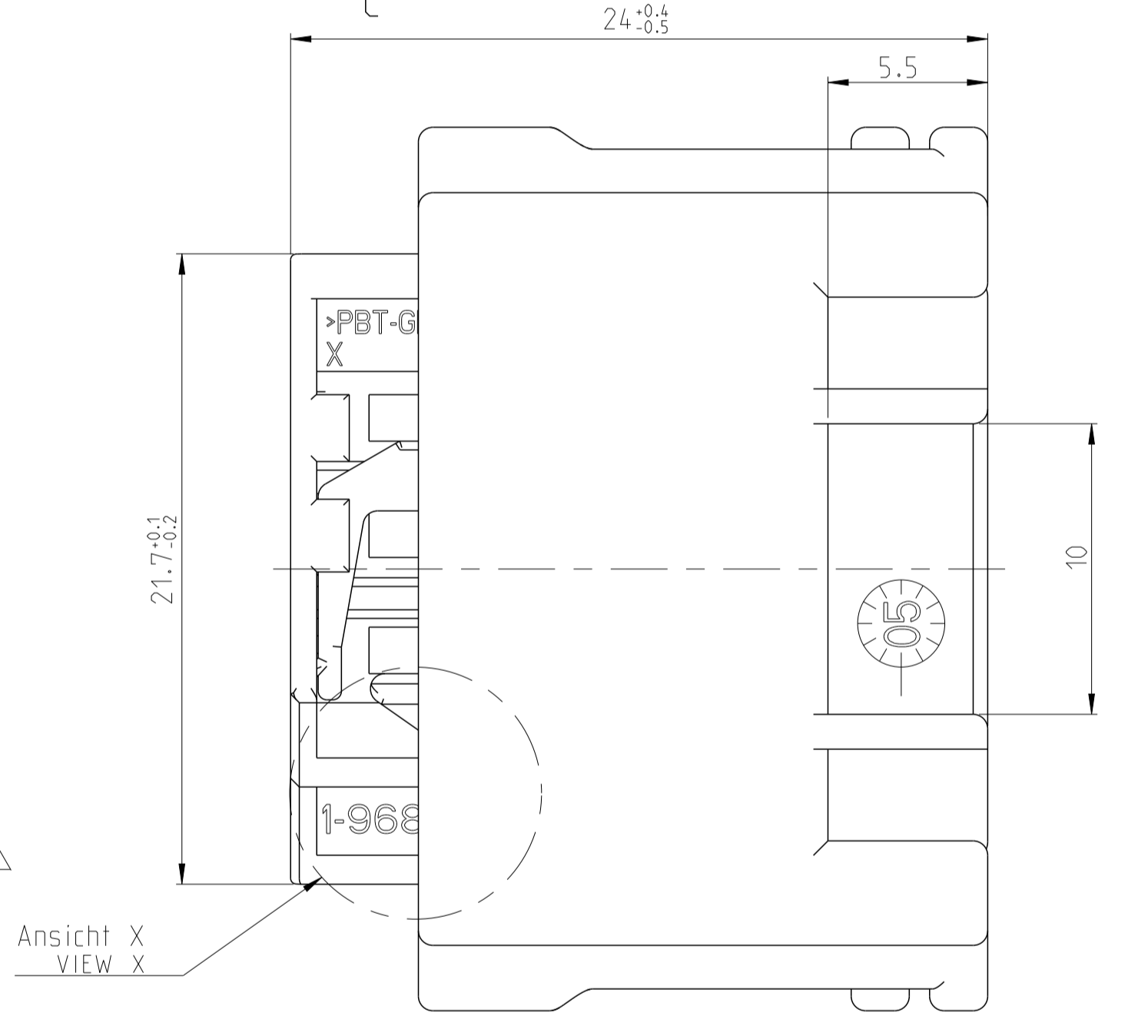
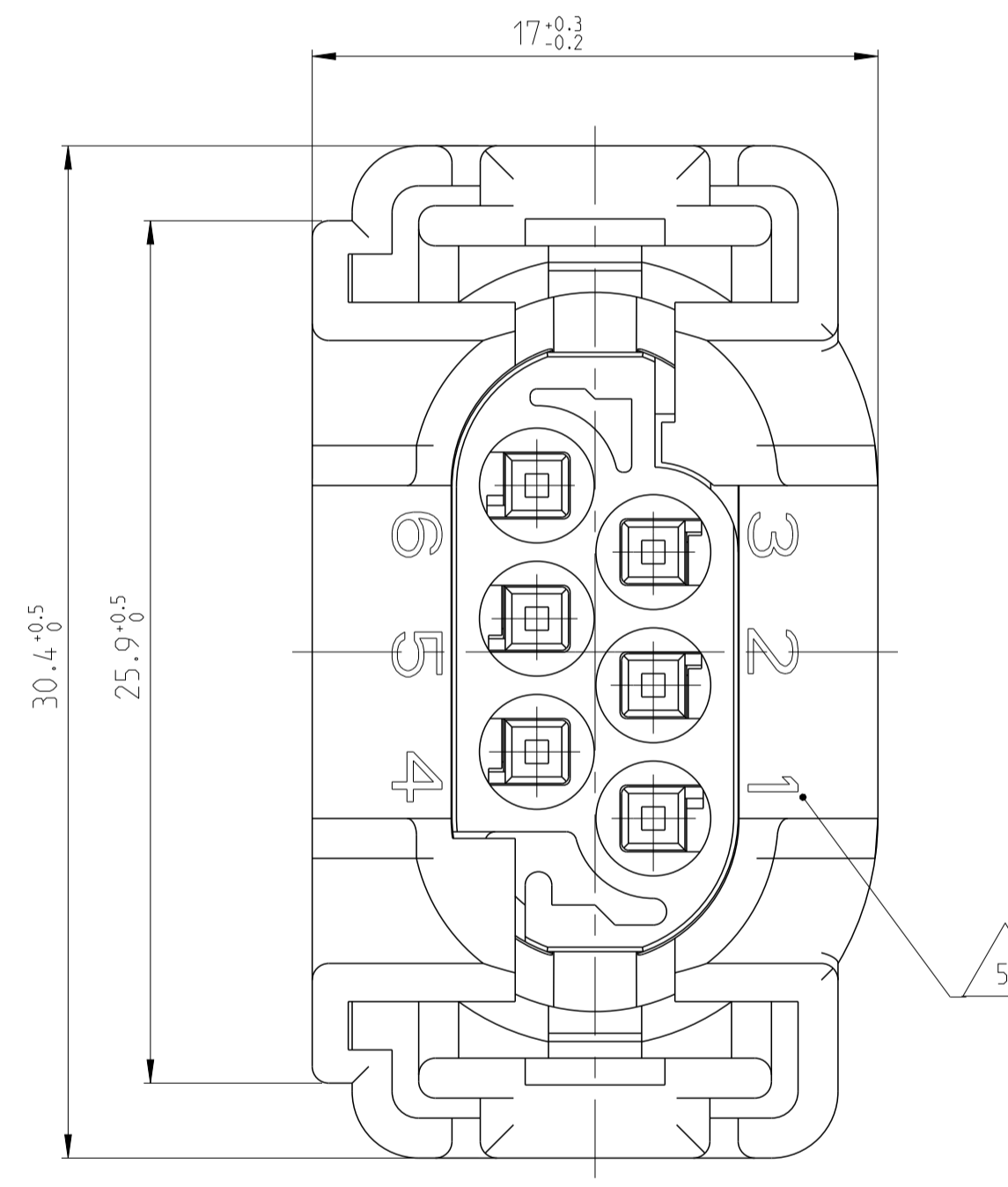
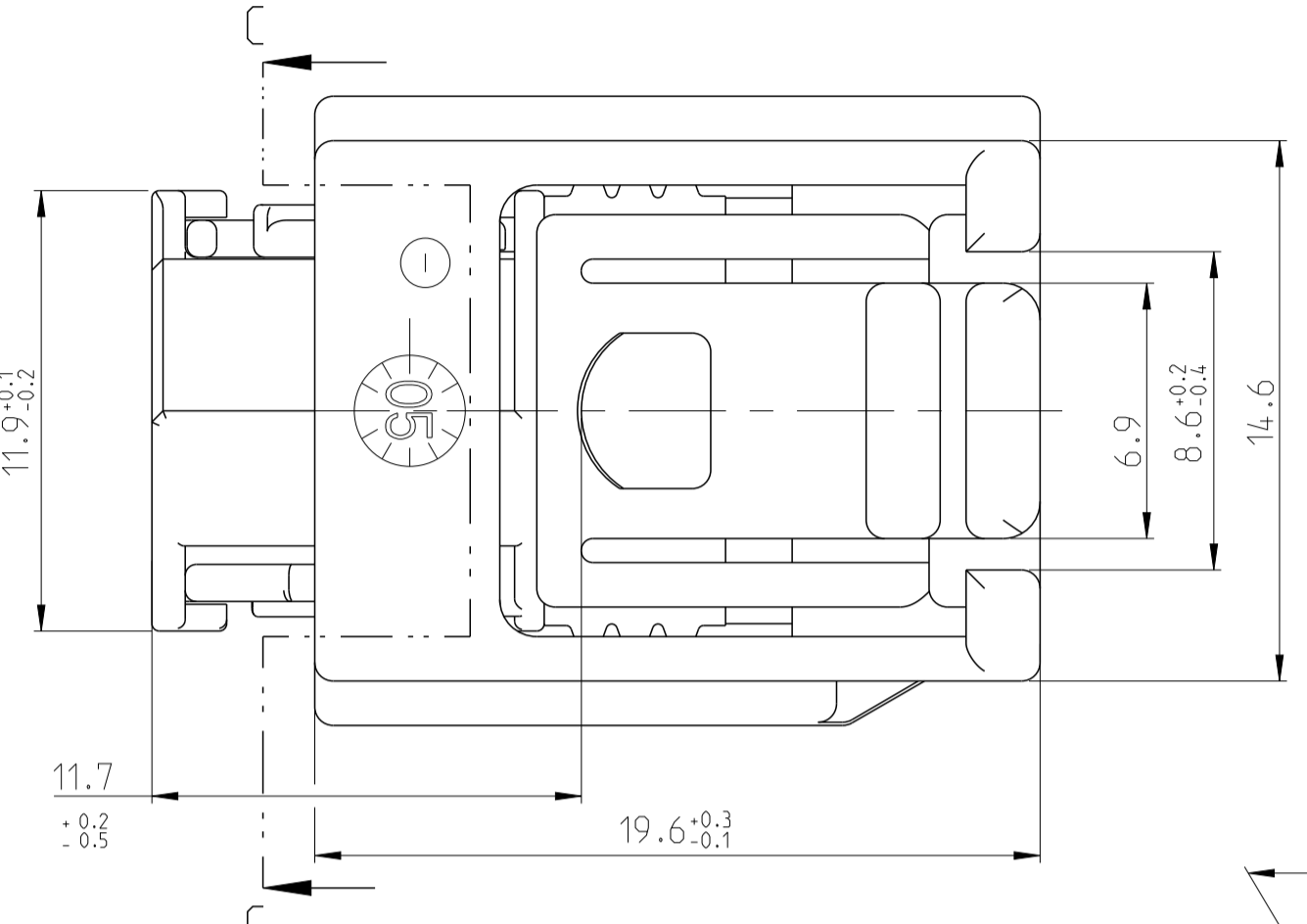
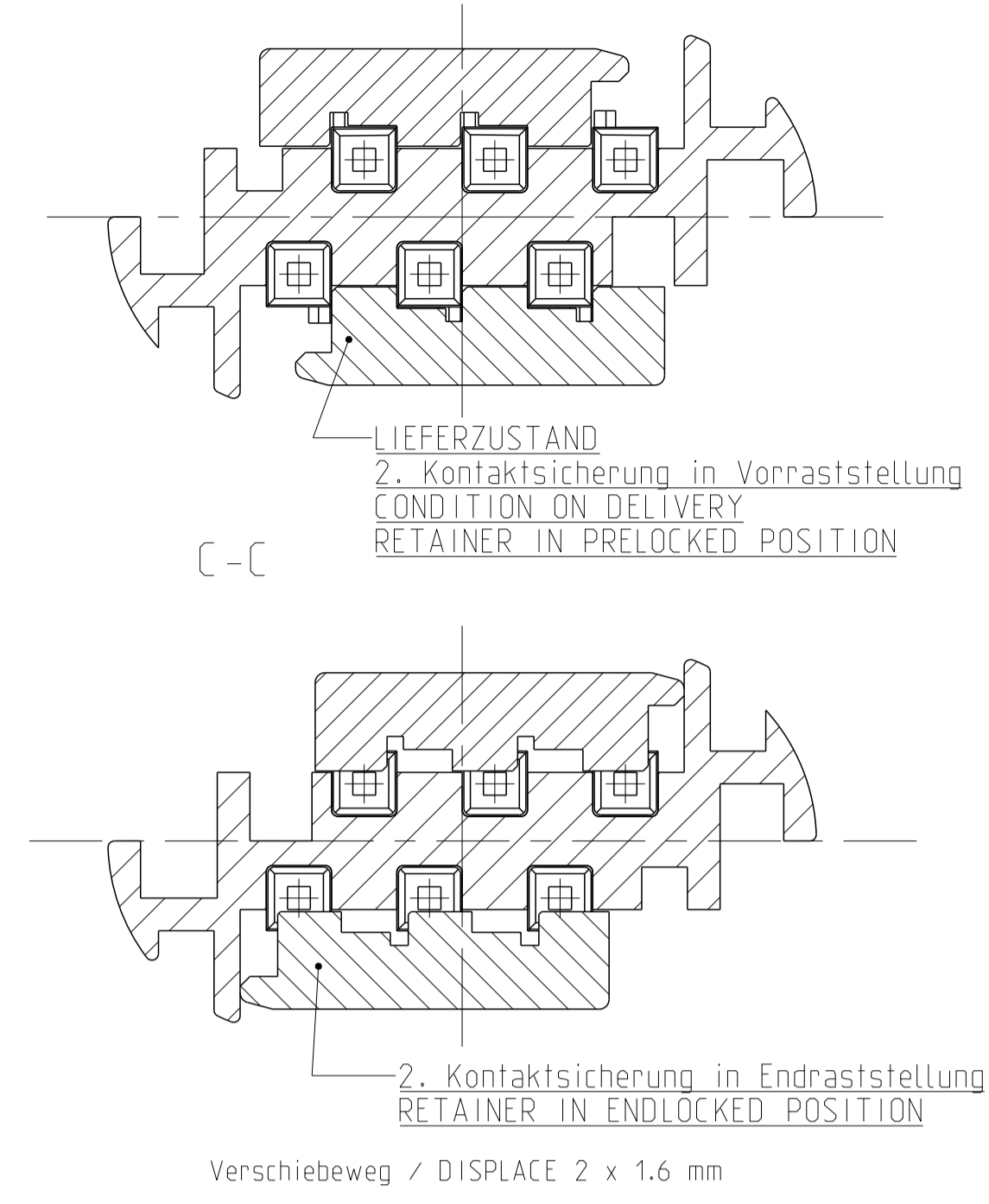
LIEFERZUSTAND
2. Kontaktsicherung in Vorraststellung
CONDITION ON DELIVERY
RETAINER IN PRELOCKED POSITION



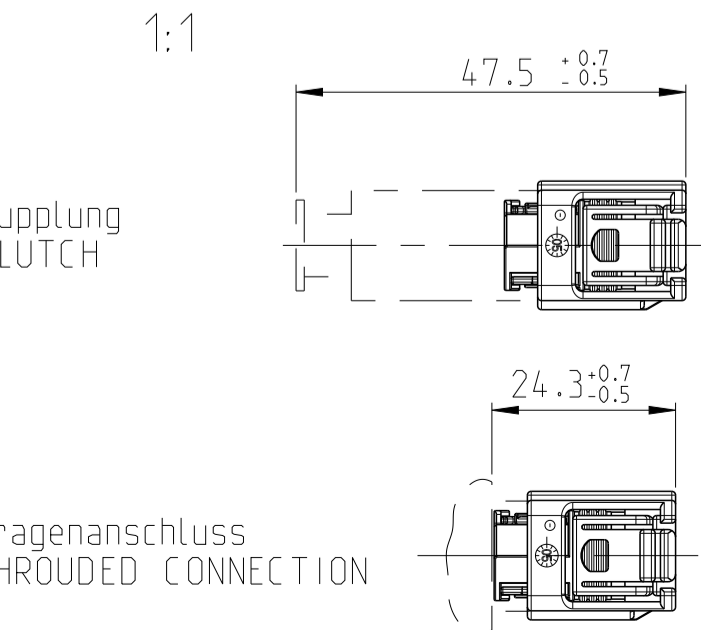
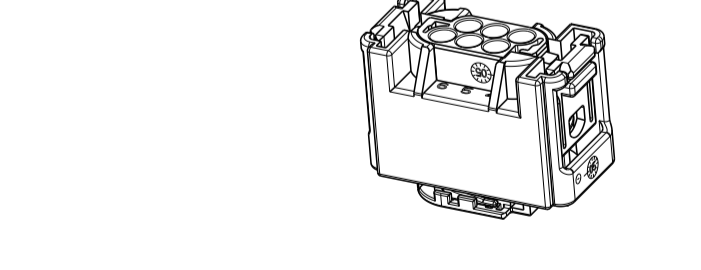
2. Kontaktsicherung in Endraststellung
RETAINER IN ENDOCKED POSITION



1-...-2
WIE GEZEICHNET
AS SHOWN

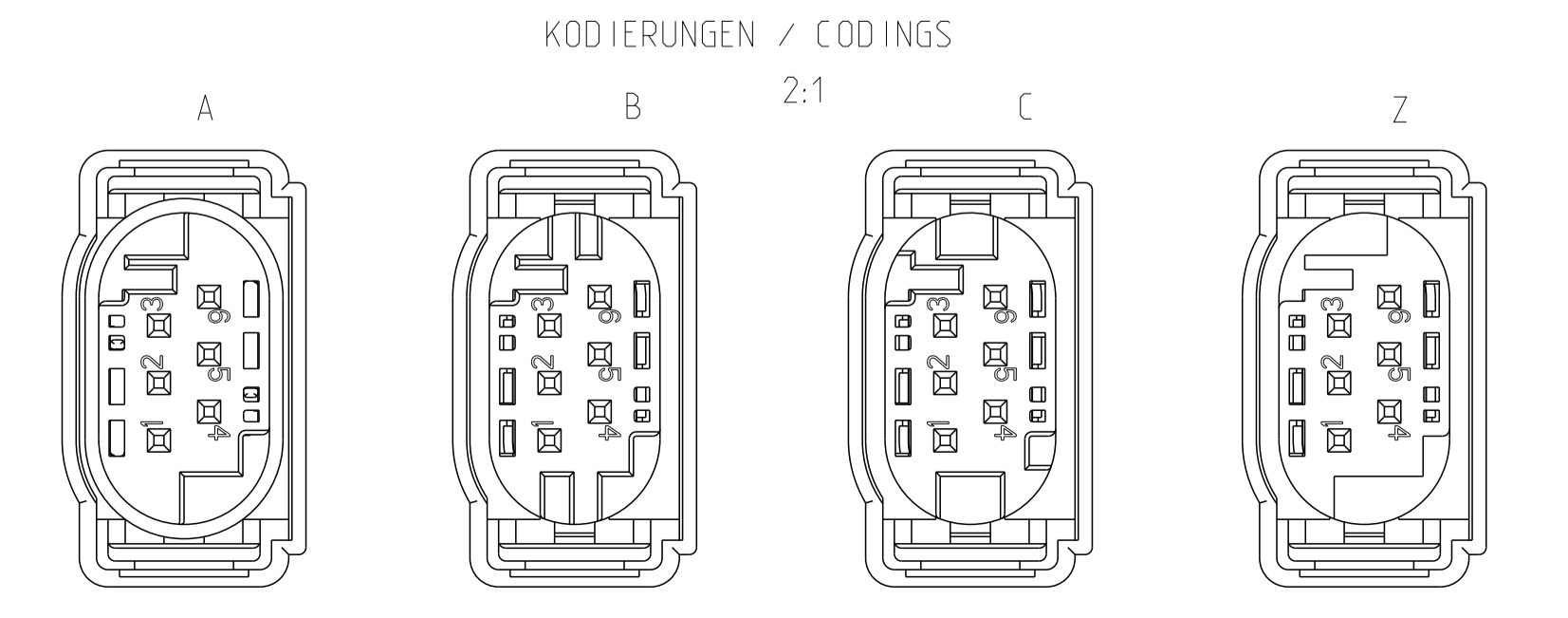


1-...-1
WIE GEZEICHNET
AS SHOWN



- Bemerkungen :
NOTES:
- 1 Massgebend ist der deutsche Text
ONLY GERMAN LANGUAGE VERSION SHALL BE AUTHORITATIVE
 - 2 Passend zu Buchsenkontakt fuer Einzelleiterabdichtung:
SUITABLE FOR SOCKET CONTACT FOR SINGLE WIRE SEALING
TE 962885 (DGB 0.2-0.5 mm2), 965906 (DGB 0.75 mm2)
TE
 - 3 Kragenanschluss siehe Zeichnung:
SHROUDED CONNECTION SEE DRAWING:
TE 114-18063-126
TE
 - 4 Passend fuer Leitungsquerschnitt:
SUITABLE FOR WIRE SIZE RANGE:
TO
- ⚠ Zahlenausrichtung freigestellt
DIRECTION OF FIGURES OPTIONAL
- ⚠ Verpackung als Schuetztaut in TE Kartons, nach Verpackungsanweisung V967616
BULKPACKAGING IN TE CARDBOX, ACC. TO PACKAGING INSTRUCTION V967616
- ⚠ Lagerverpackung in TE Kartons, nach Verpackungsanweisung V967616
Teile identisch mit PN 2-967616-1
LAYER PACKAGING IN TE CARDBOX, ACC. TO PACKAGING INSTRUCTION V967616
PARTS IDENTICAL WITH PN 2-967616-1

| REV. | POS. | PIECE | DESCRIPTION | MATERIAL | SURFACE COLOR |
|------|------|-------|---------------------|-----------|---------------|
| B | 4 | 1 | Schutzkappe | PBT-GF 15 | schwarz |
| | 3 | 1 | Dichtung | MQV30 | natur |
| | 2 | 2 | 2. Kontaktsicherung | PBT-GF 15 | gruen |
| | 1 | 1 | Buchsengehaeuse | PBT-GF 15 | grau |
| B | 4 | 1 | Schutzkappe | PBT-GF 10 | schwarz |
| | 3 | 1 | Dichtung | MQV30 | natur |
| | 2 | 2 | 2. Kontaktsicherung | PBT-GF 15 | gruen |
| | 1 | 1 | Buchsengehaeuse | PBT-GF 15 | grau |
| B | 4 | 1 | Schutzkappe | PBT-GF 15 | schwarz |
| | 3 | 1 | Dichtung | MQV30 | natur |
| | 2 | 2 | 2. Kontaktsicherung | PBT-GF 15 | gruen |
| | 1 | 1 | Buchsengehaeuse | PBT-GF 15 | grau |
| B | 4 | 1 | Schutzkappe | PBT-GF 15 | schwarz |
| | 3 | 1 | Dichtung | MQV30 | natur |
| | 2 | 2 | 2. Kontaktsicherung | PBT-GF 15 | gruen |
| | 1 | 1 | Buchsengehaeuse | PBT-GF 15 | grau |
| Z | 4 | 1 | Schutzkappe | PBT-GF 15 | schwarz |
| | 3 | 1 | Dichtung | MQV30 | natur |
| | 2 | 2 | 2. Kontaktsicherung | PBT-GF 15 | gruen |
| | 1 | 1 | Buchsengehaeuse | PBT-GF 15 | grau |
| C | 4 | 1 | Schutzkappe | PBT-GF 15 | schwarz |
| | 3 | 1 | Dichtung | MQV30 | natur |
| | 2 | 2 | 2. Kontaktsicherung | PBT-GF 15 | gruen |
| | 1 | 1 | Buchsengehaeuse | PBT-GF 15 | blau |
| B | 4 | 1 | Schutzkappe | PBT-GF 15 | schwarz |
| | 3 | 1 | Dichtung | MQV30 | natur |
| | 2 | 2 | 2. Kontaktsicherung | PBT-GF 15 | gruen |
| | 1 | 1 | Buchsengehaeuse | PBT-GF 15 | grau |
| A | 4 | 1 | Schutzkappe | PBT-GF 15 | schwarz |
| | 3 | 1 | Dichtung | MQV30 | natur |
| | 2 | 2 | 2. Kontaktsicherung | PBT-GF 15 | gruen |
| | 1 | 1 | Buchsengehaeuse | PBT-GF 15 | schwarz |
| A | 4 | 1 | Schutzkappe | PBT-GF 15 | schwarz |
| | 3 | 1 | Dichtung | MQV30 | natur |
| | 2 | 2 | 2. Kontaktsicherung | PBT-GF 15 | gruen |
| | 1 | 1 | Buchsengehaeuse | PBT-GF 15 | schwarz |



| | | | |
|--|--|---------------------------|----------------|
| THIS DRAWING IS A CONTROLLED DOCUMENT. | | DWN. M. Trajkov 29-JUL-96 | REV. 29-JUL-96 |
| DIMENSIONS: mm | | CHK M. Schwaeger | APVD |
| TOLERANCES UNLESS OTHERWISE SPECIFIED: | | PRODUCT SPEC | |
| 0 PLC ± 0.10 | | 108-18272-0 | |
| 1 PLC ± 0.15 | | APPLICATION SPEC | |
| 2 PLC ± 0.20 | | 114-18061 | |
| 3 PLC ± 0.30 | | WEIGHT - | |
| 4 PLC ± 0.40 | | CUSTOMER DRAWING | |
| MATERIAL - | | SCALE 5:1 | |
| FINISH - | | SHEET 1 OF 1 | |
| - | | REV. F10 | |



NAME
MQS SOCKET HOUSING SWS, 6 POS. ASSY
MQS Buchsengehaeuse, EDS, 6pol.kompl.

SIZE CAGE CODE DRAWING NO. RESTRICTED TO
A1 00779 ©=967616