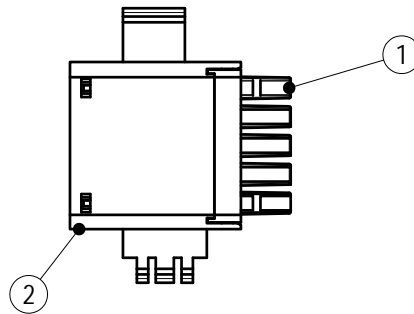
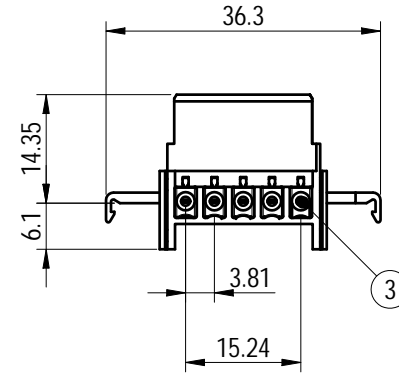
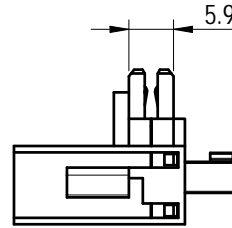
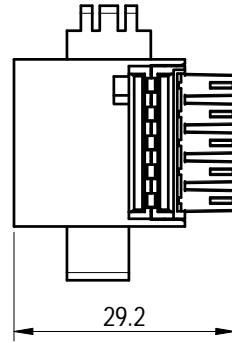
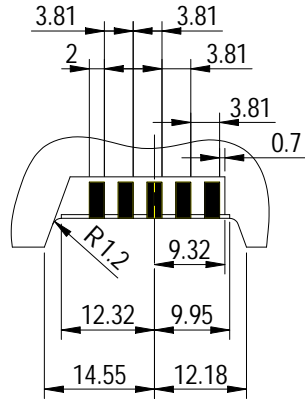


未注公差/General tolerances (mm)													0.1/10 ±2'
0 ~ 3	>3 ~ 6	>6 ~ 10	>10 ~ 18	>18 ~ 30	>30 ~ 50	>50 ~ 80	>80 ~ 120	>120 ~ 180	>180 ~ 250	>250 ~ 315	>315 ~ 400	>400 ~ 500	
±0.12	±0.18	±0.22	±0.26	±0.31	±0.37	±0.57	±0.80	±0.93	±1.05	±1.15	±1.60	±2.20	±2.50



UL 标准/UL Standard:	B	C	D
额定电压/电流/Rated Voltage(V)/Current(A)	150/7	/	/
使用温度范围/Operating temperature(°C)	-40~+105		
符合RoHS环保要求/Conform to RoHS	Yes		
标准颜色编号/Standard color number: PANTONE	421U		
配合使用的PCB板厚度/Use PCB Thickness	1.4~1.7mm		

3	Clamp	Copper alloy	Au Plated
2	Housing	PA66	UL94V-0
1	Cover	PA66	UL94V-0
ITEM	NAME OF PART	MATERIAL	NOTES

			MATERIAL:		SURFACE/COLOR:	
			MAT NO./REV: 10020004620-1 / 00		MAT STATUS: 小批量	
APPD: LGL	2023-09-11	NAME				
CHKD: MEK	2023-09-11	FBUS22.5-05P-11-04A(H)				
DRFT: LX	2023-09-11	DRAWING NO.	TYPE	DRAWING STATUS	SCALE	SHEET
(inch)		200225491	CUSTOMER DRAWING	work	2:1	1/1

REV	ECN	DESCRIPTION	DRFT	DATE
00	/	NEW DRAWING	LXD	2023-09-11

Transfer or duplication of this document as well as the utilization or communication of its content are prohibited unless authorized in writing by Degson. All rights reserved for patent. 未经授权复制或传播本文件内容，或在本文件中进行任何修改、复制或传播，均属于侵权行为。本公司保留对本文件内容的所有权利。