

Data sheet

Commercial Art.No.: 96.052.4053.6

Connector RST20i5S S1 ZR1SVA TB0

RST20i5 connector, 5 pole, male, screw connection, application 250V with PE, 20A, for cable diameters 6-10mm, coding color turquoise blue, color of housing black



Commercial Art.No.	96.052.4053.6
EAN	4015573877689
Order Unit	1

Certificates / Approvals



LR

RINA



Technical data

General

Rated current	20 A
Rated voltage	250 V
Rated impulse voltage	4 kV
strain relief	yes
Pollution degree	3
Lockable	self-locking (unlocking by tool)
Color of coding/ contact carrier	turquoise blue
Marking of poles	D1, D2, L, PE, N
Color of housing inclusive strain relief	black

Connection Data

Cable diameter max.	10 mm
Cable diameter min.	6 mm
Connection cross section solid mm ² max.	4 mm ²
Connection cross section solid mm ² min.	0.75 mm ²
Connection cross section solid AWG min.	18 AWG
Connection cross section solid AWG max.	14 AWG
Connection cross section fine stranded mm ² max.	4 mm ²
Connection cross section fine stranded mm ² min.	0.75 mm ²
Terminations per pole	1
Connection cross section stranded mm ² min.	0.75 mm ²
Connection cross section stranded mm ² max.	4 mm ²
Connection cross section stranded AWG min.	18 AWG
Connection cross section stranded AWG max.	14 AWG
sheath strip length	26.5 mm
Wire strip length	8 mm

Model

Model	male
Connection type	screw connection
Degree of protection (IP)	IP66/68 (3m;2h) /IP69

Material

Housing material	Polyamide
halogen free	yes
Contact material	CuZn
Fire load	0.287 kWh
Insulation components continuous temperature	100 °C
Surface finish	Silver-plated

Dimensions

Length	78.4 mm
Width	34.6 mm
Height	34.6 mm

Classification

ECLASS 11	
ECLASS 8.1	27440605
ETIM 7.0	EC002560
ETIM 6.0	EC002560
ETIM 5.0	EC002560
ETIM 4.0	EC002560

Note

Note	RST® terminals with screw clamping allow the connection of conductors without special preparation (without ferrules) according to EN 60999-1.
------	---

Product compliance

ROHS conformity status	Compliant/Exempted
ROHS exceptions	III-6(c)
REACH-SVHC conformity status	Duty-To-Declare
REACH-SVHC substances	Lead
REACH-SVHC CAS numbers	7439-92-1

Accessories

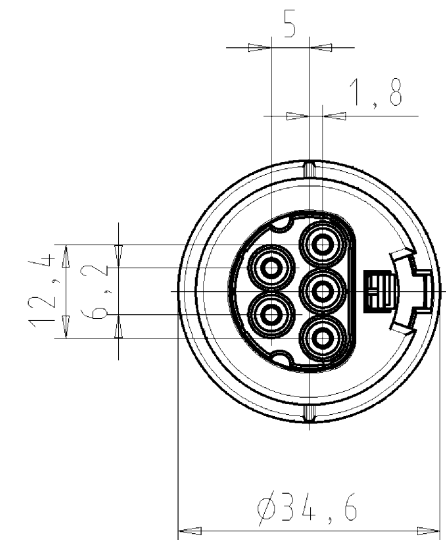
Commercial Art.No.:	Article-type description:	Description:
05.565.9953.1	Cover for male connector SW	RST20i5/4 cover piece, for covering unused male connectors, color black
99.532.0000.7	Cover for male connector SW	RST20i5/4 cover piece, for covering unused male connectors, with fastening belt, color black

Fits with

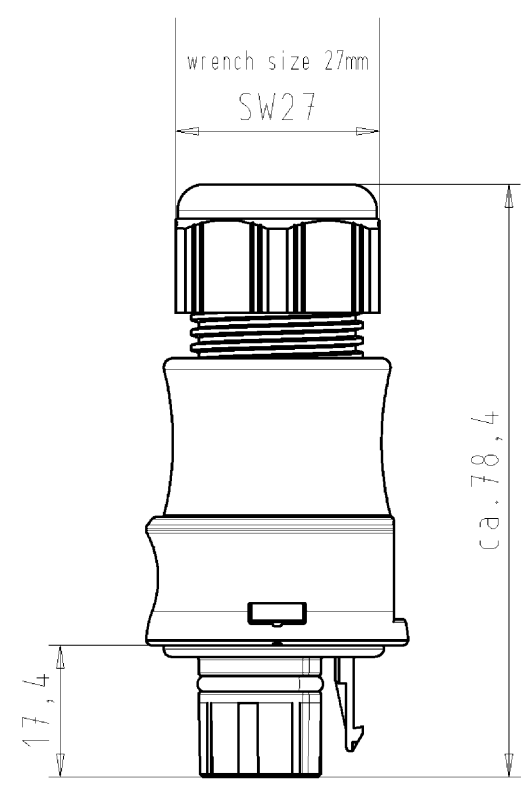
Commercial Art.No.:	Article-type description:	Description:

96.050.0153.6	Distributor RST20I5B 3P1 F VGA SW04	RST20i5 compact distribution unit, 5 pole, application 250V with PE, 20A, 1 input and 3 outputs, with fastening option, coding color turquoise blue, color of housing turquoise blue
96.453.1030.6	Cable assembly RST20I5KSBS 25 10TB04	RST20i5 extension cable female - male, 5 pole, assembled with screw connection, application 250V with PE, 20A, cable type H07RN-F, length 1.0m, cross section 2.5mm ² , coding color turquoise blue
96.051.4053.6	Connector RST20I5S B1 ZR1S A TB0	RST20i5 connector, 5 pole, female, screw connection, application 250V with PE, 20A, for cable diameters 6-10mm, coding color turquoise blue, color of housing black
96.053.4053.6	Connector RST20I5S B1 YR1S TB0	RST20i5 connector (90° angled), 5 pole, female, screw connection, application 250V with PE, 20A, for cable diameters 6-10mm, coding color turquoise blue, color of housing black
96.051.5053.6	Device connector RST20I5S B1 M01 A TB0	RST20i5 device connector M25, 5 pole, female, screw connection, application 250V with PE, 20A, coding color turquoise blue
96.051.6153.6	Device connector RST20I5S B1 M03 A TB0	RST20i5 device connector M16, 5 pole, female, screw connection, modular, application 250V with PE, 20A, coding color turquoise blue, color of housing black
96.051.6053.6	Device connector RST20I5S B1 M00 A TB0	RST20i5 device connector M20, 5 pole, female, screw connection, modular, application 250V with PE, 20A, coding color turquoise blue, color of housing black
96.053.6053.6	Device connector RST20I5S B1 M90 A TB0	RST20i5 device connector (90° angled) M20, 5 pole, female, screw connection, modular, application 250V with PE, 20A, coding color turquoise blue, color of housing black
96.053.6253.6	Device connector RST20I5S B1 M91 A TB0	RST20i5 device connector (90° angled) M25, 5 pole, female, screw connection, modular, application 250V with PE, 20A, coding color turquoise blue, color of housing black
96.055.6153.6	Device connector RST20I5S B1 M13 TB	RST20i5 device connector (7° angled) M16, 5 pole, female, screw connection, modular, application 250V with PE, 20A, coding color turquoise blue, color of housing black

These dimensions will be especially checked at delivery
 Only inspection dimensions
 With /E marked dimensions are only valid for internal use

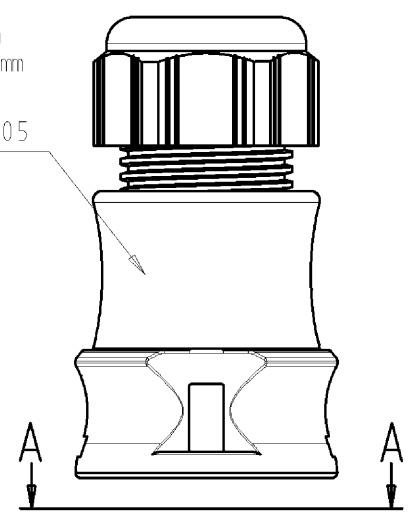


Diese Maße werden bei Abnahme besonders geprüft
 Ausschließliche Prüfmaße
 Mit /E gekennzeichnete Maße sind nur für interne Zwecke gültig

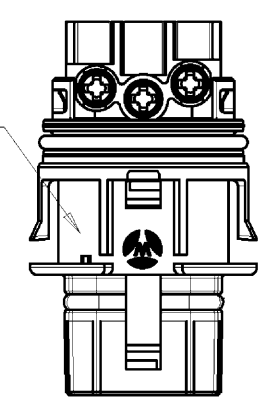


Auslieferungszustand delivery status

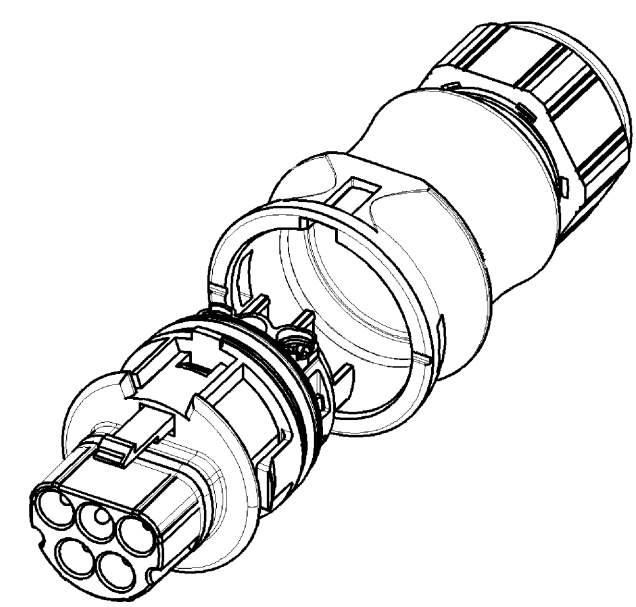
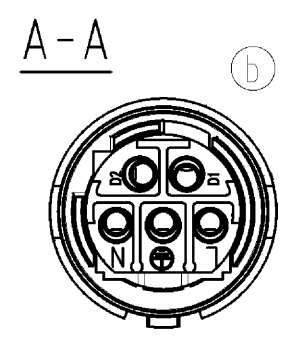
für Kabeldurchm. 6-10mm
 for cable diameter 6-10mm
 color: black,
 similar to RAL 9005
 Farbe: schwarz,
 ähnl. RAL 9005



color: turquoiseblue,
 similar to RAL 5018
 Farbe: türkisblau,
 ähnl. RAL 5018



Verpackungseinheit: je 100 Stück
 packaging unit: per 100



Type: RST2015S S1 ZR1SVA TB04

Tolerierung nach DIN 7167/Tolerance system acc. to DIN 7167. (This DIN-standard describes the envelope principle. According to the envelope principle the deviations of form and parallelism are limited by the size tolerances).				nein/no <input checked="" type="checkbox"/> Stoffverbots- und Deklarationsliste nach UU-TOM-05/03 ist einzuhalten. Conformity with Wieland document UU-TOM-05/03 (list of prohibited / declarable hazardous substances) to be declared!			
Freitoleranz nach General tolerance		CAD - Zeichnung, keine manuellen Änderungen CAD - drawing, no manual modifications allowed		1. Verwendung: - First Use:		Blatt: 1 von 1 Sheet: of 1	
		Werkstoff/Material		2005 gezeichnet drawn	Tag/Date 20.12.	Name Kneitz	
		Maßstab/Scale 1:1		geprüft checked	-	Zeichnung Nr./Drawing No. 96.052.4053.6 01K b	
		Vol. mm ³ Ofl./Surf. mm ²		Normgepr. Stand. check	-	Index b	
		Ersatz für/Replacement for: -		Maße in mm/Dimensions are in mm			
b	19.04.2012/	 wieland Elektrische Verbindungen		Type Benennung/Tittle			
a	06.02.2006/			STECKERTE IL MIT ZUGENTLASTUNG male connector with cord grip Schraubanschluss ohne Drahtschutz/screw-connection without wire protection Kodierung/keying 4 (250V/50V)			
Index	Datum / Blatt Date / Sheet						
Änderung/Revision							

Weitergabe sowie Vervielfältigung dieses Dokuments, Verwertung und Mitteilung seines Inhalts sind verboten, soweit nicht ausdrücklich gestattet.
 The reproduction, distribution and utilization of this document as well as the communication of its contents to others without express authorization is prohibited.

960524053601K_2 CADW2028.holet.2012-04-19T11:16:24 1.000