

OB3302

Cost Effective CCFL Controller -- Push Pull

OB3302 is a cost effective PWM controller that dedicated for CCFL inverter application in push pull topology, it integrates complete functions which includes striking management, dimming control and lamp fail protections.

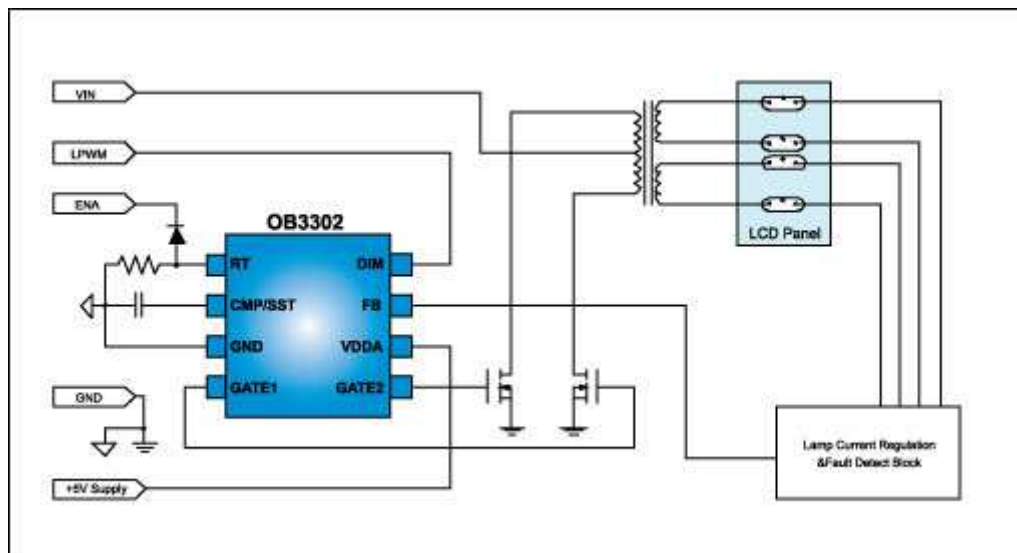
Features:

- ◆ Compact and cost effective system design
- ◆ Direct LPWM input
- ◆ Cost effective Push Pull topology
- ◆ Programmable constant PWM frequency
- ◆ High precision reference and frequency setting
- ◆ Soft start
- ◆ Build in negative LPWM dimming (burst mode)
- ◆ 1.3 times high striking frequency
- ◆ Build in 1.5S (typical) striking timer
- ◆ Comprehensive protection coverage:
 - ◇ IC supply under voltage lockout
 - ◇ Open lamp protection
 - ◇ Output short circuit protection
- ◆ Available in DIP8 and SOP8 package, RoHS compliant

Applications:

- ◆ LCD TV
- ◆ LCD Monitor
- ◆ Flat panel display

Typical Application:



[关闭窗口]