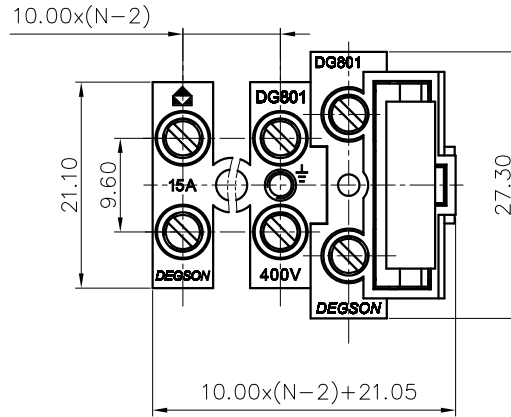


REVISION RECORD

REV	ECN	DESCRIPTION	DRFT	DATE
-----	-----	-------------	------	------



NOTES1:

UL Standard

- 1.Rated Voltage/Current : 300V / 6.3A
- 2.Torque Value : M3 , 4.43Lb.in
- 3.Wire Range : 22~14AWG

IEC Standard

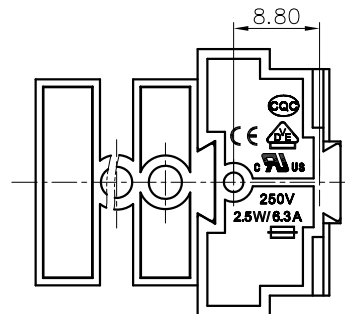
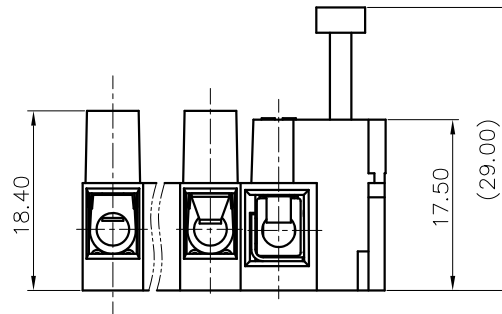
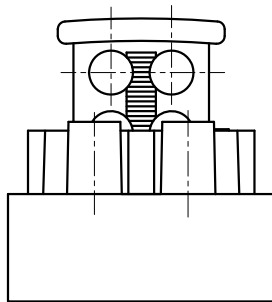
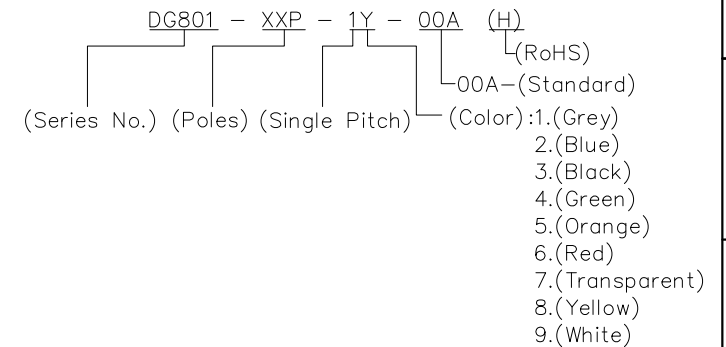
- 1.Rated Voltage/Current : 250V / 6.3A
- 2.Torque Value : M3 , 0.5N·m
- 3.Wire Range : 0.5~2.5mm²

NOTES2:

- 1.Dimension shall be interpreted per ASME Y14.5-2009
- 2.Pitch : 10.00mm, Poles : N=01~05P
- 3.Stripping length : 6~7mm
- 4.Withstanding Voltage : AC2000V/1Min.
- 5.Operating temperature: -40°C~+105°C
- 6.Undimensioned Tolerances:

Pitch Range In mm	Nominal Dimension Range In mm				0.1/10
	Over 6 TO 6	Over 10 TO 24	Over 30 TO 60	Over 60 TO 150	
	±0.15	±0.20	±0.30	±0.50	±1.30

7.RoHS Compliance



DETACHED LISTS	PART NO.:	/		
	APPD:	/		
	CHKD:	/		
	DRFT:	/		
	<p>THIRD ANGLE PROJECTION</p>		<p>DO NOT SCALE DRAWING</p>	
<p>NINGBO DEGSON ELECTRICAL CO., LTD</p>		<p>NAME: DG801-XXP-1Y-00A(H)</p>		
TITLE: CUSTOMER DRAWING		REV	D0	
DRAWING NO.:		SHEET	1/1	
		SCALE	1:1	