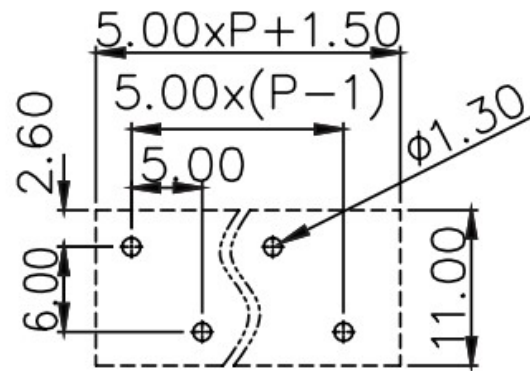
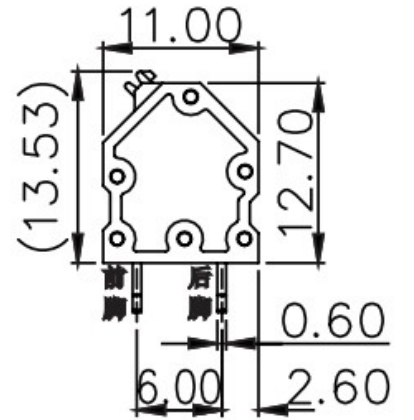
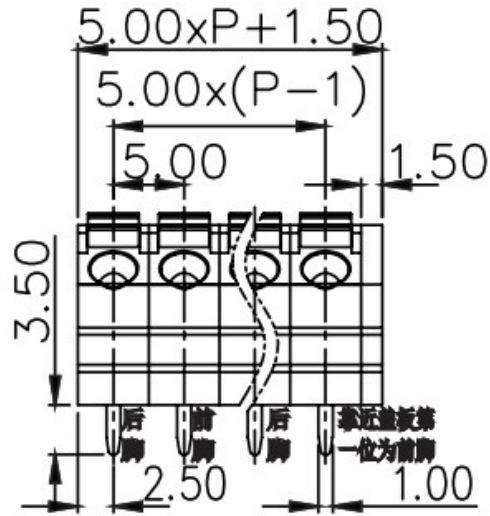


MC-TP/B5.0AXXP



PCB LAYOUT