

## Data sheet

Commercial Art.No.: Z7.415.0110.0

Housing D-Sub IT GUBL 2 0,5 4 AU

2x9 pole D-Sub connector, size 6, female



|                    |               |
|--------------------|---------------|
| Commercial Art.No. | Z7.415.0110.0 |
| EAN                | 4015573159990 |
| Order Unit         | 10            |

## Technical data

### Classification

|            |          |
|------------|----------|
| ECLASS 11  |          |
| ECLASS 8.1 | 27440202 |
| ETIM 7.0   | EC000437 |
| ETIM 6.0   | EC000437 |
| ETIM 5.0   | EC000437 |

### General

|                                  |          |
|----------------------------------|----------|
| Housing material                 | aluminum |
| Surface                          | Gilt     |
| Degree of protection (IP)        | IP54     |
| UV resistant                     | yes      |
| Operating temperature range min. | -40 °C   |
| Operating temperature range max. | 100 °C   |

### Connection Data

|  |                      |
|--|----------------------|
| Connection type                                | Soldering connection |
| Number of poles                                | 9                    |
| With wire protection                           | No                   |
| Min. conductor diameter rigid (solid/stranded) | 0.2 mm <sup>2</sup>  |
| Max. conductor diameter rigid (solid/stranded) | 0.5 mm <sup>2</sup>  |

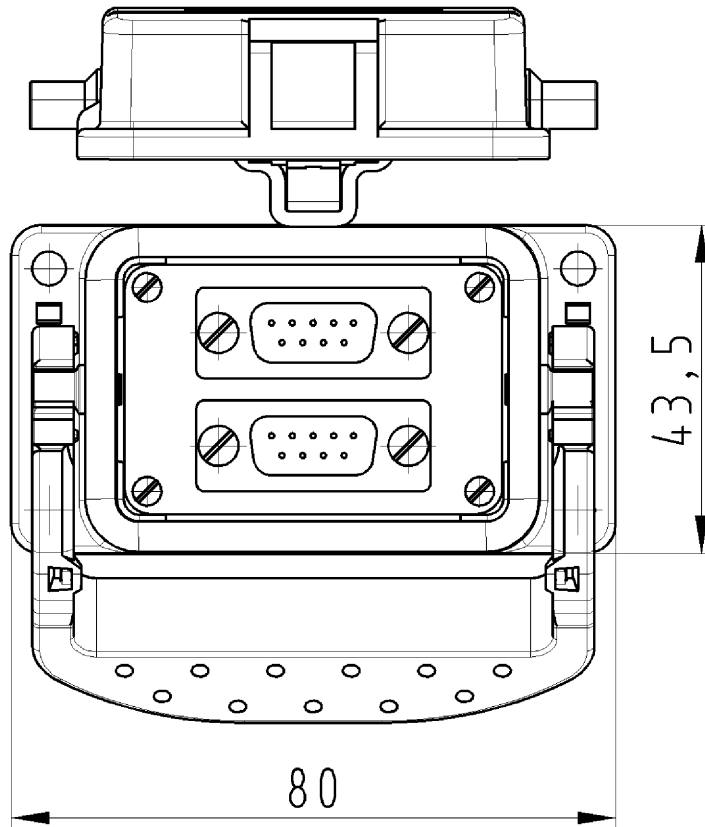
### Model

|                        |                      |
|------------------------|----------------------|
| Locking mechanism      | Single locking lever |
| Cable entry            | None                 |
| With cable screw gland | No                   |
| Thread size PG         |                      |
| Hinged lid             | yes                  |
| Length                 | 80 mm                |
| Width                  | 43 mm                |
| Height                 | 28 mm                |

### Product compliance

|                        |                    |
|------------------------|--------------------|
| ROHS conformity status | Compliant/Exempted |
| ROHS exceptions        | III-6(a); III-6(c) |

|                              |                 |
|------------------------------|-----------------|
| REACH-SVHC conformity status | Duty-To-Declare |
| REACH-SVHC substances        | Lead            |
| REACH-SVHC CAS numbers       | 7439-92-1       |



Zeichnungsnummer  
Z7.415.0110.010W

Steckverbindung  
D-Sub GUT 6  
Z7.415.0110.0

16.11.2007  
Roppelt Dominik  
M 1:1