



color: green , black
pitch: 5.0/5.08mm
certification: UL, CE, VDE, CQC
Type: Female/ROHS

1. Material:

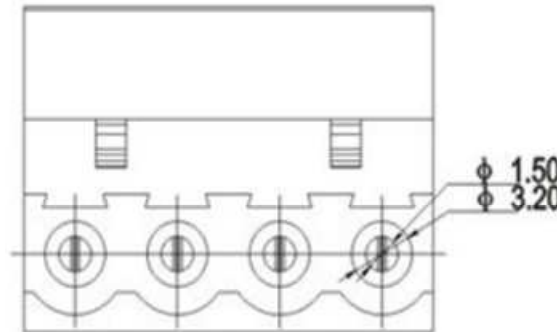
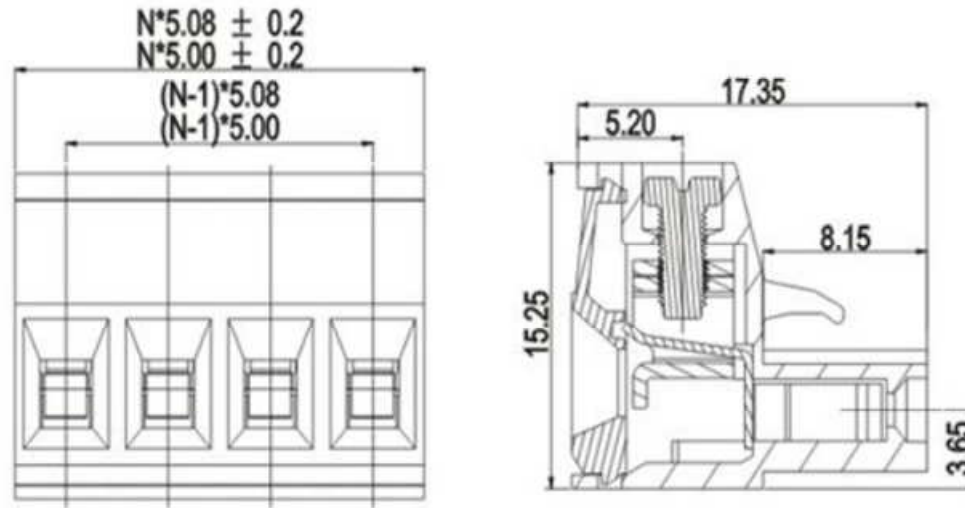
- Contact : Phosphor bronze
- Screws : M2.5 steel zinc plated
- Housing : PA66, UL94V-0

2. Electrical:

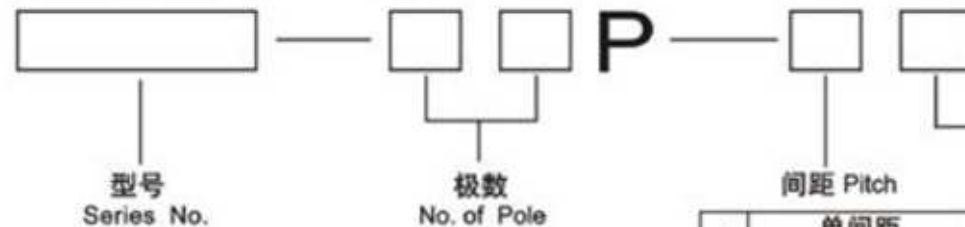
- Rated voltage : 300V
- rated current : 12A
- contact resistance : 20mΩ
- insulation resistance: 5000MΩ/1000V
- withstanding voltage: AC1500V/1Min
- wire range: 28-12AWG 2.5mm²

3. Mechanical:

- temp. range: -40°C...+105°C
- max soldering: +250°C, for 5 sec.
- Torque: 0.5Nm(4.5IB.IN)
- strip length: 7-8mm



HOW TO ORDER



1	单间距
	Single pitch
2	双间距
	Double pitch

1	灰色	Grey
2	蓝色	Blue
3	黑色	Black
4	绿色	Green