

## Data sheet

Commercial Art.No.: 96.021.6053.0

Device connector RST20I2S B13 M00 GL

RST20i3/2 device connector M20, 2 pole, female, screw connection, modular, application 250V, 20A, coding color light grey, color of housing light grey



Commercial Art.No.	96.021.6053.0
EAN	4015573853225
Order Unit	1

Certificates / Approvals



LR

RINA



## Technical data

### General

Rated current	20 A
Rated voltage	250 V
Pollution degree	3
Rated impulse voltage	4 kV
Lockable	self-locking (unlocking by tool)
Color of coding/ contact carrier	light grey
Marking of poles	L, N
Color of separate adapter (if present)	light grey

### Connection Data

Connection cross section solid mm <sup>2</sup> max.	6 mm <sup>2</sup>
Connection cross section solid mm <sup>2</sup> min.	0.75 mm <sup>2</sup>
Connection cross section solid AWG min.	16 AWG
Connection cross section solid AWG max.	10 AWG
Connection cross section fine stranded mm <sup>2</sup> max.	6 mm <sup>2</sup>
Connection cross section fine stranded mm <sup>2</sup> min.	0.75 mm <sup>2</sup>
Terminations per pole	1
Wire strip length	8 mm
Connection cross section stranded AWG min.	16 AWG
Connection cross section stranded AWG max.	10 AWG

### Model

Model	female
Connection type	screw connection
Connecting thread metric	M20

Angle of plug	straight
Degree of protection (IP)	IP66/68 (3m;2h) /IP69
Thickness of housings (electrical device) 2	0.5 mm
Thickness of housings (electrical device)	8 mm

#### Material

Housing material	Polyamide
halogen free	yes
Contact material	CuZn
Fire load	0.212 kWh
Insulation components continuous temperature	100 °C
Surface finish	Silver-plated

#### Dimensions

Length	68.2 mm
Width	35 mm
Height	35 mm

#### Classification

ECLASS 11	
ECLASS 8.1	27440602
ETIM 7.0	EC002566
ETIM 6.0	EC002566
ETIM 5.0	EC002566
ETIM 4.0	EC002566

#### Note

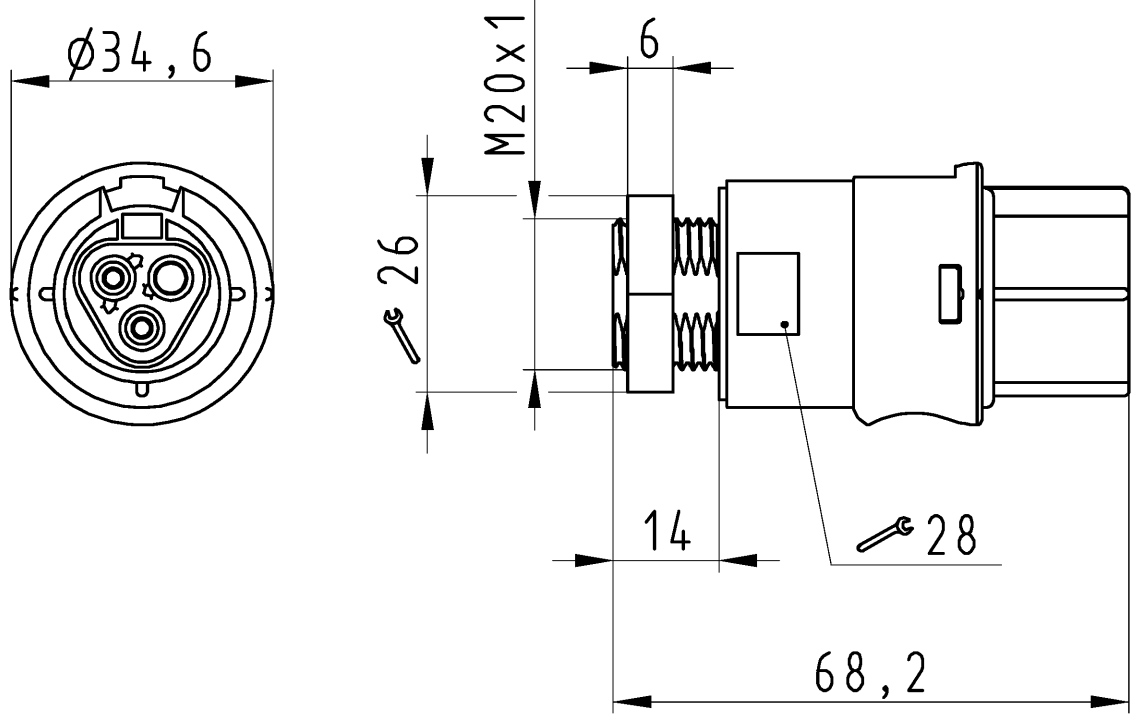
Note	RST® terminals with screw clamping allow the connection of conductors without special preparation (without ferrules) according to EN 60999-1.; Positioning realised with flattened thread
------	---

#### Product compliance

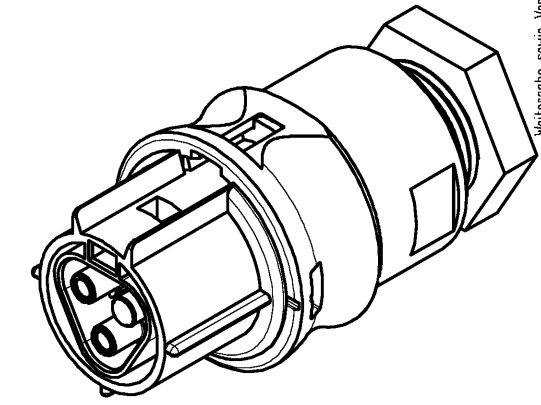
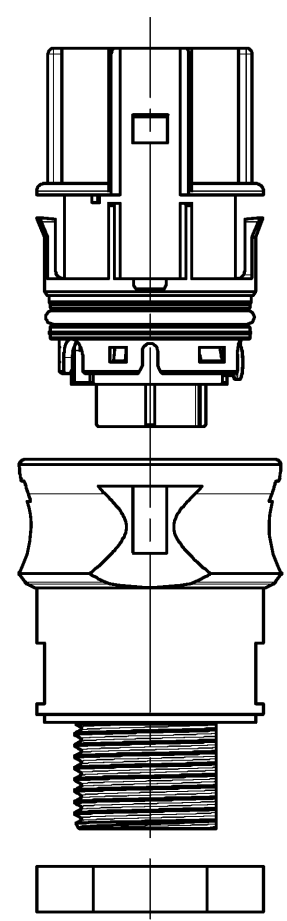
ROHS conformity status	Compliant/Exempted
ROHS exceptions	III-6(c)
REACH-SVHC conformity status	Duty-To-Declare
REACH-SVHC substances	Lead
REACH-SVHC CAS numbers	7439-92-1

#### Accessories

Commercial Art.No.:	Article-type description:	Description:
99.413.6205.2	Cover for female connector GL	RST20i3/2 cover piece, for covering unused female connectors, with fastening belt, color light grey
Z5.564.4553.0	Cover for female connector GL	RST20i3/2 cover piece, for covering unused female connectors, color light grey



**Auslieferungszustand**  
delivery status



Verpackungseinheit: je 100 Stück  
packaging unit: per 100

96.021.6053.1	RST2012S B13 M00 SW	schwarz /black
96.021.6053.0	RST2012S B13 M00 GL	lichtgrau /light grey
Bestellnummer /Order number	Typ /Type	Farbe /color
<b>Weitere Daten siehe KATALOG oder eKatalog. Additional data see CATALOG or eCatalog.</b>		<b>www.wieland-electric.com eshop.wieland-electric.com</b>

Öffnungsmassbild siehe 96.031.2053.1 14K  
opening dimension see 96.031.2053.1 14K

Tolerierung Size ISO 14405(®)/Tolerance system Size ISO 14405(®). (This ISO-standard describes the envelope principle. According to the envelope principle the deviations of form and parallelism are limited by the size tolerances).		ja/yes <input checked="" type="checkbox"/> Stoffverbots- und Deklarationsliste nach WN 5020.010 ist einzuhalten. Conformity with Wieland document WN 5020.010 e (list of prohibited / declarable hazardous substances) to be declared!	
Freitoleranz nach General tolerance		CAD - Zeichnung, keine manuellen Änderungen CAD - drawing, no manual modifications allowed	1.Verwendung: - First Use:
Blatt: 1 von 1 Sheet: of 1		Zeichnung Nr./Drawing No.	
Index		Date / Blatt Date / Sheet	
Änderung/Revision		Date / Blatt Date / Sheet	
Werkstoff/Material		2015 Tag/Date	Name
Maßstab/Scale		15.07.	Nagengast F.
1:1		gezeichnet drawn	
Vol. mm³ Ofl./Surf. mm²		geprüft checked	
Ersatz für/Replacement for: -		Normgepr. Stand. check	
www.wieland-electric.com		Type	
www.wieland-electric.com		Benennung/Title	
		BUCHSENTEIL female connector	

These dimensions will be especially checked at delivery  
Only inspection dimensions  
With /E marked dimensions are only valid for internal use

Diese Maße werden bei Abnahme besonders geprüft  
Ausschließlich Prüfmaße  
Mit /E gekennzeichnete Maße sind nur für interne Zwecke gültig

Weitergabe sowie Vervielfältigung dieses Dokuments, Verwertung und Mitteilung seines Inhalts sind verboten, soweit nicht ausdrücklich gestattet.  
The reproduction, distribution and utilization of this document as well as the communication of its contents to others without express authorization is prohibited.