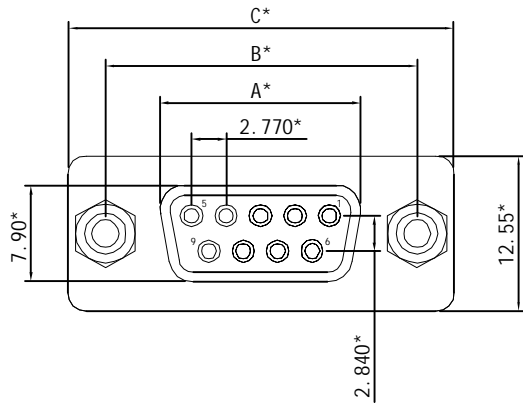


标记	版本	文件编号	变更前	变更后	日期	更改人
	A		/	新版图	2011.4.19	



PIN	A	B	C
9	16.33	24.99	30.81
15	24.66	33.32	39.14
25	38.38	47.04	53.04
37	54.84	63.50	69.32

Electrical Characteristics:

1. Current Rating: 5 AMP
2. Withstanding Voltage: AC 500V for 1 Minute.
3. Insulation Resistance: 1000MW Min. at DC 500v.
4. Contact Resistance: 15mΩ Max.
5. Operating Temperature: -40° c to 105° c.

Material:

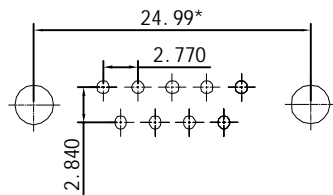
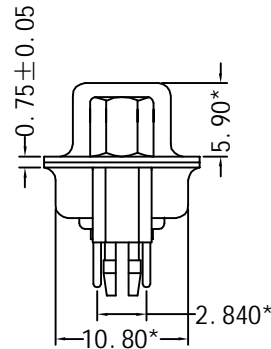
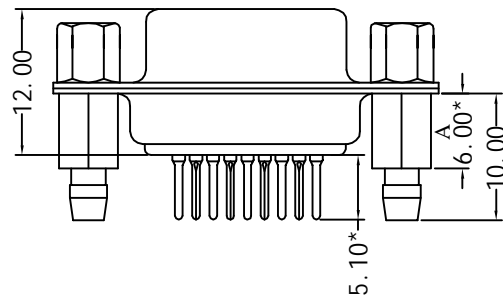
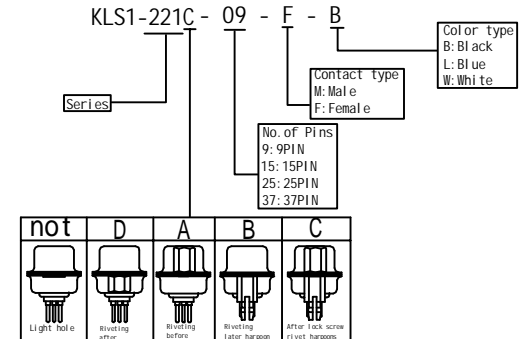
1. Insulator: PBT+30% Glass Fiber(UL94v-0).
2. Contact: Brass
3. Contact plated: Gold Flash over Tin or Gold Plated or Tin Plated
4. Shell: Steel Nickel Plated

Specification:

- |                               |                              |
|-------------------------------|------------------------------|
| (1) Insertion: 9P/9S ≤ 4.0kgf | (2) Withdraw: 9P/9S ≥ 1.8kgf |
| 15P/15S ≤ 4.5kgf              | 15P/15S ≥ 2.0kgf             |
| 25P/25S ≤ 6.0kgf              | 25P/25S ≥ 2.5kgf             |
| 37P/37S ≤ 8.0kgf              | 37P/37S ≥ 3.5kgf             |

标注“\*”为重点管控尺寸

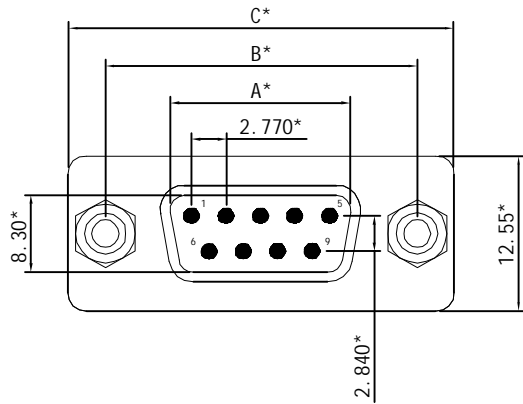
HOW TO ORDER:



未注公差表
.0 ± 0.25
.00 ± 0.20
.000 ± 0.05

绘图(DRAWN)	日期(DATE)	宁波保税区开乐电子有限公司	
	2011.4.19	KLS ELECTRONIC CO.,LTD.	
审核(CHECKED)	日期(DATE)	TITLE:	
		DP-XF 铆鱼叉锁螺丝	
核准(APPROVED)	日期(DATE)	PART NO.	/
		CLIENT P/N	/
		UNIT: mm	SCALE: free
		FILE NO.:	REV. A

标记	版本	文件编号	变更前	变更后	日期	更改人
	A		/	新版图	2011.5.3	



PIN	A	B	C
9	16.92	24.99	30.81
15	25.25	33.32	39.14
25	38.96	47.04	53.04
37	55.42	63.50	69.32

**MATERIAL:**

1. Insulator: PBT+30% Glass Fiber (UL94V-0)
2. Contact: Brass
3. Contact Plated: Glod Flash over Tin Or Glod Plated Or Tin Plated
4. Shell: Stell, Nickel Plated

**SPECIFICATION:**

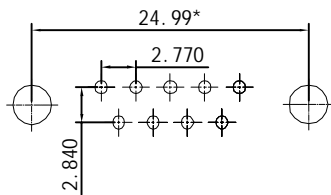
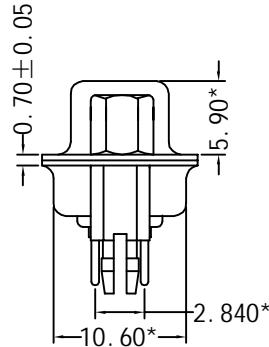
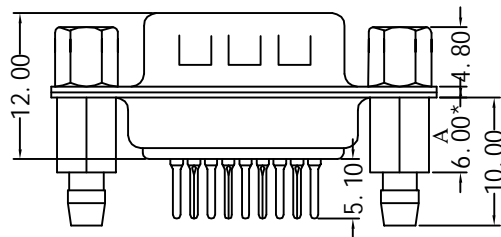
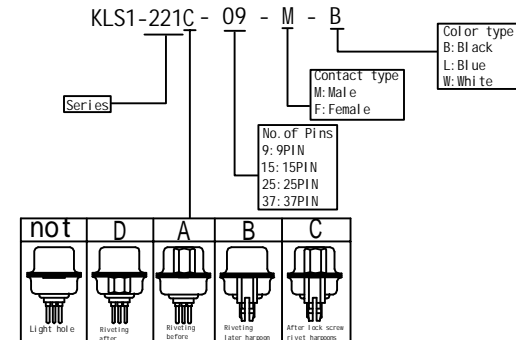
1. Current Rating: 5 AMPS
2. Insulation Resistance: 1000MΩMIN. At 500VDC
3. Dielectric Strength: 500V for One minute
4. Operation Temperature: -55° ~ +105° .

**Specification:**

- (1) Insertion: 9P/9S ≤ 4.0kgf  
 15P/15S ≤ 4.5kgf  
 25P/25S ≤ 6.0kgf  
 37P/37S ≤ 8.0kgf
- (2) Withdraw: 9P/9S ≥ 1.8kgf  
 15P/15S ≥ 2.0kgf  
 25P/25S ≥ 2.5kgf  
 37P/37S ≥ 3.5kgf

标注“\*”为重点管控尺寸

**HOW TO ORDER:**



未注公差表
.0 ± 0.25
.00 ± 0.20
.000 ± 0.05

绘图 (DRAWN)	日期 (DATE) 2011.5.3	宁波保税区开乐电子有限公司 KLS ELECTRONIC CO., LTD.	
审核 (CHECKED)	日期 (DATE)	TITLE: DP-XM 铆后鱼叉锁螺丝	
核准 (APPROVED)	日期 (DATE)	PART NO.	/
		CLIENT P/N	/
		UNIT: mm	SCALE: free
FILE NO.:		REV. A	