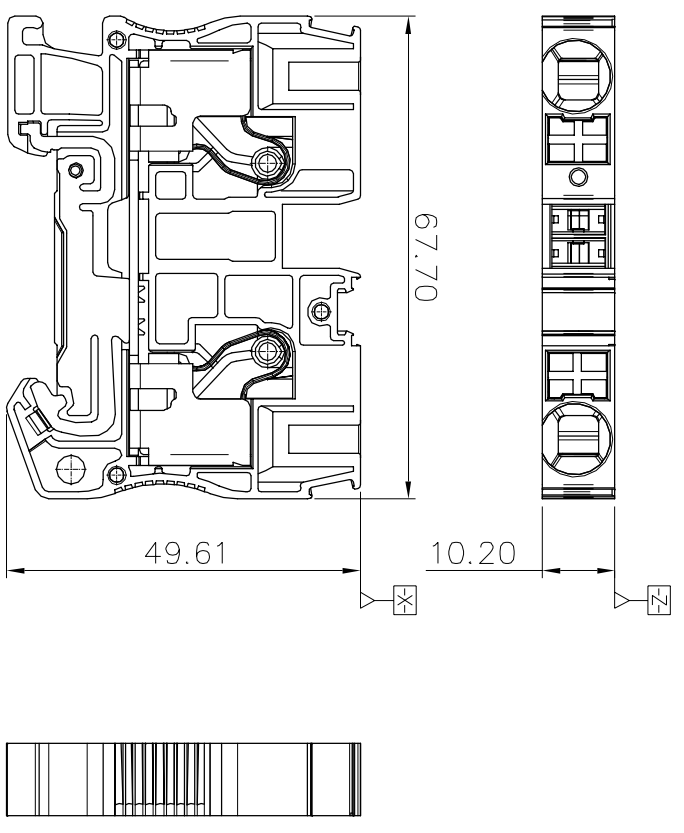
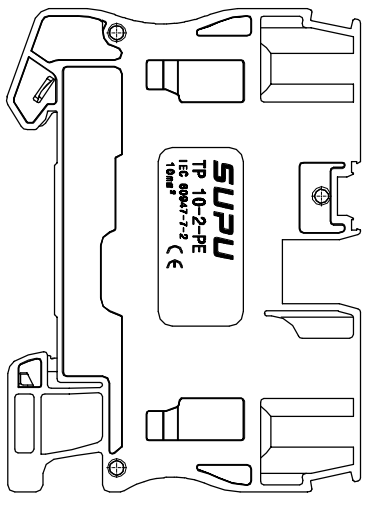


REVISION RECORD			
REV	ECN	DESCRIPTION	DRFT DATE

Transmittal, reproduction, dissemination and/or editing of this document as well as utilization of its contents and communication thereof to others without express authorization are prohibited.
 未经允许禁止传输、复制、编辑该文档，以及利用其内容进行交流



- Connection method:
1. For Solid wire, peel wire in right length, push down the wire.
 2. For flexible wire, peeling wire in right length, pushdown the key & fix the wire, or wire furred and fix then.



HOW TO ORDER:

TP10-2-PE
 Series No. Color:
 PE: Yellow Green

NOTES:
 UL/CUL Standard
 1. Conductor cross section : 20~6AWG
 IEC Standard
 1. Conductor cross section :

Wire range(Solid/Stranded)	0.5-10mm ²
Solid	0.5-16mm ²
Stranded	0.5-10mm ²
Stranded with ferrules without plastic sleeve	0.5-10mm ²
Stranded with ferrules with plastic sleeve	0.5-10mm ²

2. Rated Voltage/Current :

Surge voltage category	III
Pollution degree	3
Rated surge voltage(kV)	8

Material:

Insulator	P666	UL94 V-0
Conductor	Copper alloy	Sn plated
Spring	Stainless steel	
Button	POM	
Ground pin	Copper alloy	Sn plated

General information:

1. Dimension shall be interpreted per ASME Y14.5-2009
2. Stripping length : 18mm
3. Operating temperature: -40°C~+105°C
4. RoHS Compliance
5. Undimensioned Tolerances:

Pitch Range in mm	Nominal Dimension	Range in mm	Tolerance
Over 6	Over 30	Over 60	Over 100
To 10	To 40	To 80	To 150
To 10	To 24	To 30	To 60
To 10	To 24	To 30	To 60
±0.15	±0.20	±0.30	±0.50
			±0.70
			±1.00
			±1.30
			±2°

订货号 Order No.	TP10-2-PE	名称 Name	TP系列直插式弹簧端子	未注公差 Tolerance	表面处理 Surface
项目 Item	签字 Signature	图号 Drawing No.	/	公差表 Progress	VDI21
设计 Design	陈杰松 Chen Jiesong	材料 Material	见NOTES	版本 Revision	重量 Weight
审核 Check	陈武 Chen Wu	日期 Date	11/20/19	M	0
工艺 Process	-	物料号 Item No.			
标准化 Unity	-	批准 Approve	梁文龙		
批准 Approve	11/20/19	NINGBO SUPU ELECTRONICS CO., LTD.			

SUPU 宁波速普电子有限公司
 NINGBO SUPU ELECTRONICS CO., LTD.