



## Constant Current Driver

Model: RC24WYYY  
RC30WYYY



Model	Output Current	Input Current	Input Power	Output Power Range	PF	Efficiency	Output Voltage	No load Voltage
RC24W400	400mA	0.15A	29W	18-24W	0.95	87%	45-60V	75V
RC24W450	450mA	0.15A	28W	16.2-22.5W	0.95	87%	36-50V	65V
RC24W500	500mA	0.15A	31W	18-25W	0.95	87%	36-50V	65V
RC24W550	550mA	0.15A	28W	14.85-23.1W	0.95	87%	27-42V	55V
RC24W600	600mA	0.15A	29W	16.2-24W	0.95	87%	27-40V	55V
RC24W750	750mA	0.15A	27W	14.25-22.5W	0.95	87%	19-30V	45V
RC24W800	800mA	0.15A	29W	15.2-24W	0.95	87%	19-30V	45V
RC24W850	850mA	0.15A	31W	16.15-25.5W	0.95	86%	19-30V	45V
RC24W1000	1000mA	0.15A	26W	13-21W	0.95	86%	13-21V	35V
RC24W1050	1050mA	0.15A	27W	16.65-22.05W	0.95	87%	13-21V	35V
RC30W600	600mA	0.19A	37W	21.6-30W	0.95	87%	36-50V	65V
RC30W650	650mA	0.19A	33W	17.55-27.3W	0.95	87%	27-42V	55V
RC30W700	700mA	0.19A	36W	18.9-29.4W	0.95	87%	27-42V	55V
RC30W750	750mA	0.19A	36W	20.25-30W	0.95	87%	27-40V	55V
RC30W800	800mA	0.19A	38W	21.6-31.2W	0.95	87%	27-39V	55V
RC30W900	900mA	0.19A	33W	17.1-27W	0.95	86%	19-30V	45V
RC30W950	950mA	0.19A	34W	18.05-28.5W	0.95	86%	19-30V	45V
RC30W1000	1000mA	0.19A	37W	19-30W	0.95	87%	19-30V	45V

\* Test result @230V, 50Hz, Full Load.

### 1. Parameters

category	Item	Technical Norm
Features	Output Type	Constant Current
	IP Grade	IP44
	Insulation Class	Class II
Input	Rated Input Voltage	220-240VAC
	Range of Input Voltage	198-264VAC
	Frequency	50/60Hz
	Input Current	≤0.19A (198VAC, full load)
	Input Power	≤ 38W (230VAC, full load)

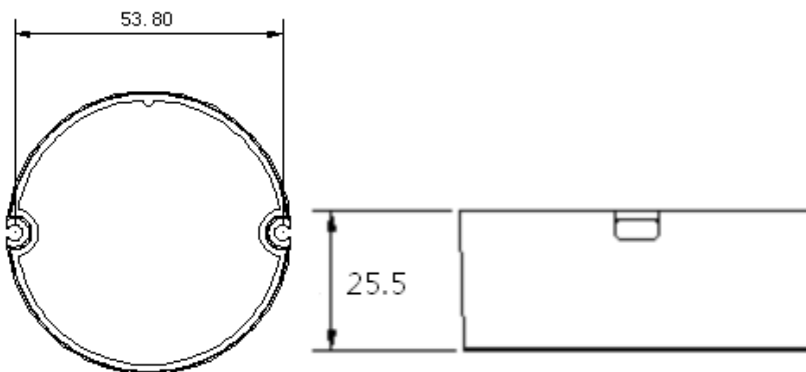
	Power Factor	≥0.95 (230VAC, full load)
	THD	≤15% (230VAC, full load)
	No-load Power Consumption	≤0.5W @230VAC
	Inrush Current	≤15A/350us (230VAC, Full-load)
	Connected quantity of 16A Breaker	15pcs/type B ; 24pcs/type C @ 230Vac
Output	Current Accuracy	±5%
	Max. Output Power	30W
	Started Delay Time	≤0.5S (230VAC, full load)
	Current Ripple	±5% (Imax-Imin) / (Imax+Imin)
Protection	Short Circuit Protection	Auto Recovery
	Overload Protection	Auto Recovery
	No-load Protection	Auto Recovery
	Insulation voltage	I/P to O/P , 3KVac/1min
	Insulation resistance	>100M ohm @ 500VDC
	Leakage current	I/P to O/P < 250 μ A
Environment	Ta/Operation Temperature	-20....+60℃
	Ts/Storage Temperature	-25....+85℃
	Tc/Enclosure Temperature	90 ℃
	Humidity	10%....90%RH
	Atmosphere	86-108KPa
Construction	Connection Method	Direct Lead
	Installation	Build-in
	PRI Wire preparation	0.5-1.5 <sup>□</sup>
	SEC Wire preparation	0.5-1.5 <sup>□</sup>
	Dimension	Φ57X25.5mm (R*H)
Standards	Certification	TUV、CE、 SAA
	Safety Standards	EN61347-1:2015,EN61347-2-13:2014/A1:2017,E N62493:2015, AS/NZS IEC61347.2.13:2013, AS/NZS 61347.1:2016
	EMC Standards	EN55015:2013/A1:2015,EN61000-3-2:2014,EN61 000-3-3:2013,EN61547:2009
	Performance	EN62384
	Surge	L-N/2KV
Others	RoHS	complied to 2011/65/EU
	Life Time	50,000h @50℃ (Ta) / @90℃ (Tc)
	Warranty	5years , F.R. < 10000ppm

Remark: 1.All Parameters, if not specified, are measured at 230VAC/50Hz and 25℃ ambient temperature.  
2.LED Driver is a component of the luminaires, Luminaires and wire layout will affect the EMC, please check the EMC with end products again.

## 2. Label (For example)

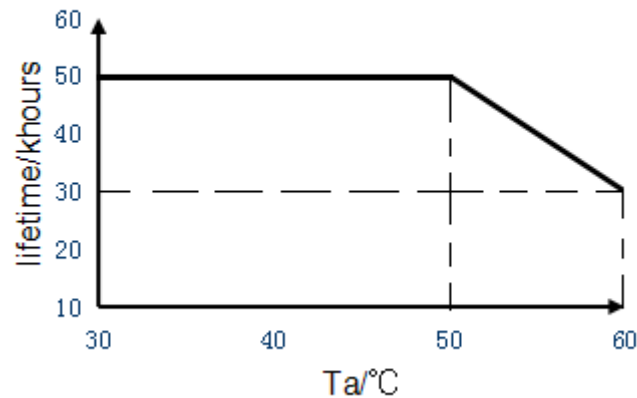


## 3. Dimension (Unit: mm)



## 4. Lifetime VS. Ta

Lifetime vs. Ta



## 5. Packing information

Carton L*W*H(mm)	Pcs/Carton	Net weight/ Pcs(kg)	Net weight/ Carton(kg)	Gross weight / Carton(kg)
447*240*200	180	T.B.D	T.B.D	T.B.D

## 6. Wiring Diagram

