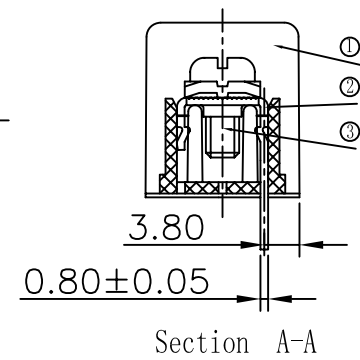
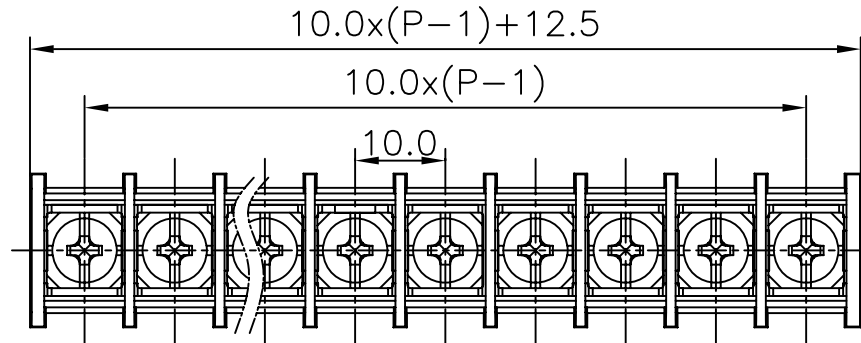
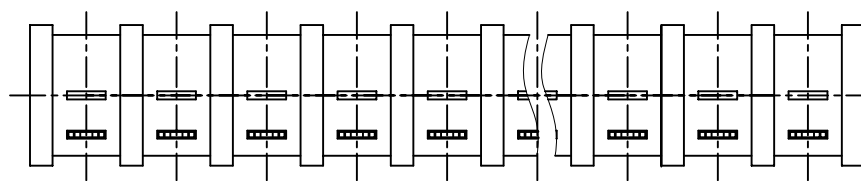
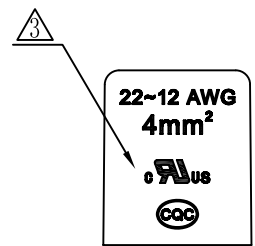
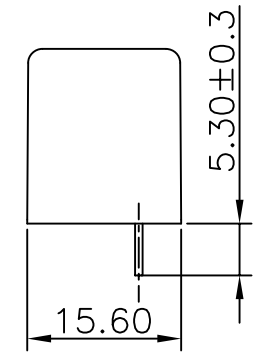
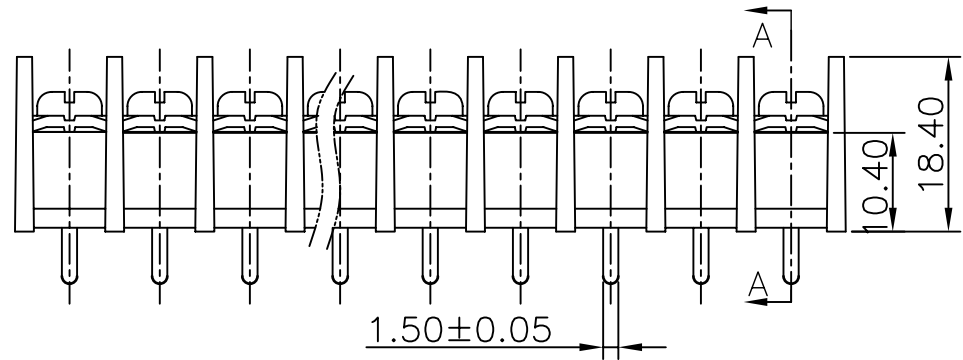


REVISION RECORD				
REV	ECO	DESCRIPTION	DRFT	DATE
2		图面更新	HW	06/12/06
3		增加UL刻字	Ye.j	01/29/07
4		品名、料号增加环保标识“(H)”	Ye.j	12/08/07



- Notes:
1. Pitch:10.0mm Pole:2-26P
  2. Rated current:20A
  3. Rated voltage:300V
  4. Operation temperatures:-40℃~+105℃
  5. Withstanding Voltage:AC2000V/1min
  6. Insulation Resistance:500MΩ/DC500V
  7. Wire Range:22~12AWG
  8. Max. Torque Value: 12.24kgf. cm.
  9. Undimensioned Tolerances:

Pitch range in mm		Nominal dimension range in mm				
to	over	over	over	over	over	
6	6 to 10	10 to 24	30 to 60	60 to 100	100 to 150	150
±0.10	±0.15	±0.25	±0.2	±0.3	±0.5	±0.7
						±1.0
						0.05/0.10



3	4*8 bright Screws	S000000570 (H)	XX	Steel	Ni plated
2	DG45S Pin header	5003B00080 (H)	XX	Brass	SnCe Plated

ITEM	NAME OF PART	NO. OF PART	Q'TY	MATERIAL	NOTES																								
1	DG55-B housing	5004A0YXXA (H)	1	PA66	UL94V-0																								
<table border="1"> <tr> <td>← MM (INCH) →</td> <td>DFTO WSJ</td> <td>DATE 11/03/03*</td> </tr> <tr> <td>TOLERANCES EXCEPT AS NOTED</td> <td>CHKD</td> <td>DATE</td> </tr> <tr> <td></td> <td>MFO</td> <td>DATE</td> </tr> <tr> <td></td> <td>APPVL</td> <td>DATE</td> </tr> <tr> <td></td> <td colspan="2">MATERIAL :</td> </tr> <tr> <td></td> <td colspan="2">G.E :</td> </tr> <tr> <td></td> <td colspan="2">FINISH :</td> </tr> <tr> <td></td> <td colspan="2">SCALE : 1:1</td> </tr> </table>		← MM (INCH) →	DFTO WSJ	DATE 11/03/03*	TOLERANCES EXCEPT AS NOTED	CHKD	DATE		MFO	DATE		APPVL	DATE		MATERIAL :			G.E :			FINISH :			SCALE : 1:1		<p>DEGSON® 宁波高正电子有限公司 DEGSON ELECTRONICS CO., LTD</p> <p>NAME DG55S-B-XXP-1Y-00A(H)</p> <p>DRAWING NO. DG55S-E01      SIZE A3      REV T4 12/08/07*</p> <p>/PART NO.</p>			
← MM (INCH) →	DFTO WSJ	DATE 11/03/03*																											
TOLERANCES EXCEPT AS NOTED	CHKD	DATE																											
	MFO	DATE																											
	APPVL	DATE																											
	MATERIAL :																												
	G.E :																												
	FINISH :																												
	SCALE : 1:1																												
DO NOT SCALE DRAWING			SHEET 1 OF 1																										