

Data sheet

Commercial Art.No.: 4L.031.3053.1

Connector RST08i3 S 11 ZR1 H SW

RST08i3 connector with longitudinal sealing, 3 pole, female, screw connection, application 250V/400V with PE, 8A, for cable diameters 4-7mm, coding color black, color of housing black



Commercial Art.No.	4L.031.3053.1
EAN	4049088481826
Order Unit	1

Certificates / Approvals



LR

RINA



Technical data

General

Rated current	8 A
Rated voltage	250 V / 400 V
Rated impulse voltage	2.5 kV
strain relief	yes
Pollution degree	3
Lockable	self-locking (unlocking by hand)
Color of coding/ contact carrier	black
Marking of poles	1, PE, 2/N
Color of housing inclusive strain relief	black

Connection Data

Cable diameter max.	7 mm
Cable diameter min.	4 mm
Connection cross section solid mm ² max.	1 mm ²
Connection cross section solid mm ² min.	0.2 mm ²
Connection cross section fine stranded mm ² max.	1 mm ²
Connection cross section fine stranded mm ² min.	0.22 mm ²
Terminations per pole	1
sheath strip length	18 mm
Wire strip length	6 mm

Model

Model	female
Connection type	screw connection
Degree of protection (IP)	IP66/68 (3m;2h) /IP69

Longitudinal sealing	yes
----------------------	-----

Material

Housing material	Polyamide
halogen free	yes
Contact material	CuZn
Fire load	0 kWh
Insulation components continuous temperature	100 °C
Surface finish	Silver-plated
UL classification housing	UL-V0
UL classification strain relief	UL-V0

Dimensions

Length	42.5 mm
Width	14.9 mm
Height	14.9 mm

Note

Note	RST® terminals with screw clamping allow the connection of conductors without special preparation (without ferrules) according to EN 60999-1.; Use only one connector with contact sealing - either male or female connector.
------	---

Classification

ECLASS 11	
ECLASS 8.1	27440605
ETIM 7.0	EC002560
ETIM 6.0	EC002560
ETIM 5.0	EC002560
ETIM 4.0	EC002560

Product compliance

ROHS conformity status	Compliant/Exempted
ROHS exceptions	III-6(c)
REACH-SVHC conformity status	Duty-To-Declare
REACH-SVHC substances	Lead
REACH-SVHC CAS numbers	7439-92-1

Accessories

Commercial Art.No.:	Article-type description:	Description:
06.563.5053.1	Cover for female connector SW	RST08i3/2 cover piece, for covering unused female connectors, with fastening belt, color black
06.502.6100.0	allen key RST MICRO SW 0,9	Pin wrench for screw terminals RST® MICRO
06.502.6300.0	screwdriver RST MICRO SW 0,9	Hexagonal wrench for screw terminals RST® MICRO

Fits with

Commercial Art.No.:	Article-type description:	Description:
---------------------	---------------------------	--------------

41.032.4053.1	Device connector RST08i3 S S1 M02H SW	RST08i3 device connector M14, 3 pole, male, screw connection, application 250V/400V with PE, 8A, coding color black
41.032.3053.1	Connector RST08i3 S S1 ZR1 H SW	RST08i3 connector, 3 pole, male, screw connection, application 250V/400V with PE, 8A, for cable diameters 4-7mm, coding color black, color of housing black

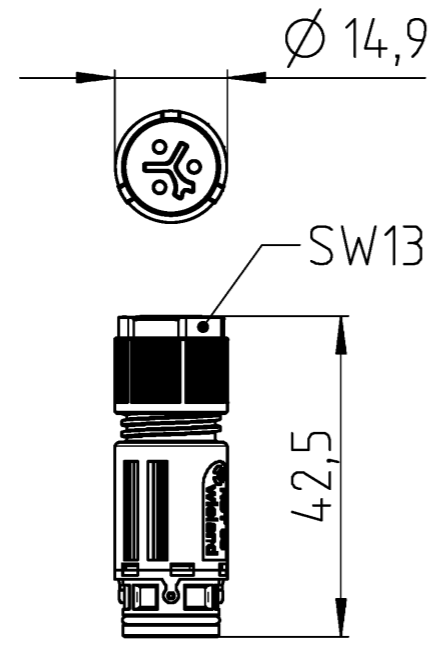
A
 Weitergabe sowie Vervielfältigung dieses Dokuments, Verwertung und Mitteilung seines Inhalts sind verboten, soweit nicht ausdrücklich gestattet. Die Reproduktion, Distribution und Nutzung dieses Dokuments, sowie die Kommunikation der Inhalte, ist ohne schriftliche Genehmigung der Wieland Electric AG ist ausdrücklich untersagt.
 The reproduction, distribution and utilization of this document as well as the communication of its contents to others without express authorization is prohibited.

B
 These dimensions will be especially checked at delivery
 Only inspection dimensions
 With /E marked dimensions are only valid for internal use

C
 Diese Maße werden bei Abnahme besonders geprüft
 Ausschließlich Prüfmäße
 Mit /E gekennzeichnete Maße sind nur für interne Zwecke gültig

D
 F
 Änderung / Revision

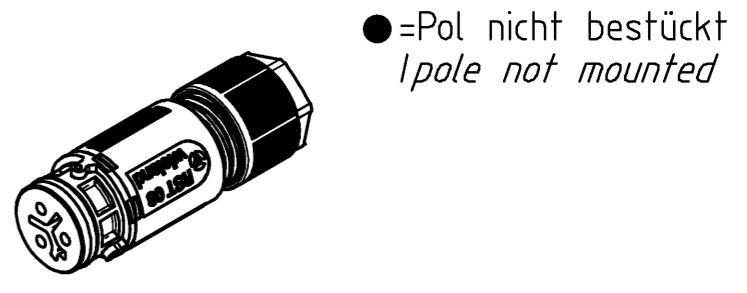
Gezeichnete Ausführung/drawn version
 41.031.3053.1



Auslieferungszustand/
 delivery status



Teile-Nr. /part-no.	Type	Kodierung / coding
41.031.3053.1	RST08i3 S B1 ZR1 H SW	C1
4L.031.3053.1	RST08i3 S 11 ZR1 H SW	
41.031.3043.9	RST08i3 S B1 ZR1SH BL	C2
4L.031.3043.9	RST08i3 S 11 ZR1SH BL	
41.031.3041.4	RST08i3 S B1 ZR1SHL SG	C3
4L.031.3041.4	RST08i3 S 11 ZR1SHL SG	
41.031.3051.8	RST08i3 S B1 ZR1SHL KG	C4
4L.031.3051.8	RST08i3 S 11 ZR1SHL KG	
41.021.3043.1	RST08i3/2S B1 ZR1 H SW	C1
4L.021.3043.1	RST08i3/2S 11 ZR1 H SW	
41.021.3043.9	RST08i3/2S B1 ZR1SH BL	C2
4L.021.3043.9	RST08i3/2S 11 ZR1SH BL	
41.021.3041.4	RST08i3/2S B1 ZR1SHL SG	C3
4L.021.3041.4	RST08i3/2S 11 ZR1SHL SG	
41.021.3041.8	RST08i3/2S B1 ZR1SHL KG	C4
4L.021.3041.8	RST08i3/2S 11 ZR1SHL KG	



Weitere Daten siehe KATALOG oder eKatalog
 additional data see CATALOG or eCATALOG
www.wieland-electric.com
eshop.wieland-electric.com

Tolerierung Size ISO 14405 © / Tolerance system Size ISO 14405 ©. (This ISO-standard describes the envelope principle. According to the envelope principle the deviations of form and parallelism are limited by the size tolerances).		ja/yes <input checked="" type="checkbox"/> Stoffverbots- und Deklarationsliste nach WN 5020.010 ist einzuhalten. Conformity with Wieland document WN 5020.010 e (list of prohibited / declarable hazardous substances) to be declared!	
Freitoleranz nach General tolerance	CAD - Zeichnung, keine manuellen Änderungen CAD - drawing, no manual modifications allowed	1 Verwendung: First Use:	Blatt: Sheet: 1 von 1 of 1
/	Werkstoff / Material	Tag/Date	Name
/	Maßstab / Scale	gezeichnet drawn	22.02.2018 Hollet
/	1:1	geprüft checked	
/	Vol. mm ³ Dfl./Srf. mm ²	Normgepr. Stand. check	
Ersatz für / Replacement for:		Zeichnung Nr. / Drawing No.	
a 12.03.2020 /		41.031.3053.1 13K a	
Index	Datum / Blatt Date / Sheet	Maße in mm / Dimensions are in mm	
www.wieland-electric.com		Type	Benennung/Title
www.wieland-electric.com		RSTmicro	BUCHSENTEIL_FA_ZE female with strain relief