

## Data sheet

Commercial Art.No.: 05.543.7121.0

Male contact 0,75-1 QMM

Male contact, turned Ø 2,5 mm, 0,75-1 mm<sup>2</sup>, AWG 18, Sn



|                    |               |
|--------------------|---------------|
| Commercial Art.No. | 05.543.7121.0 |
| EAN                | 4015573083035 |
| Order Unit         | 200           |

## Technical data

### General

|  |                      |
|--|----------------------|
| Wire strip length  | 7 mm                 |
| Min. conductor cross section flexible wire                 | 0.75 mm <sup>2</sup> |
| Max. conductor cross section flexible wire                 | 1 mm <sup>2</sup>    |
| Min. UL/CSA wire diameter flexible wire                    | 18 AWG               |
| Max. UL/CSA wire diameter flexible wire                    | 18 AWG               |
| Connection type  | Crimp                |
| Material   | Brass                |
| Massive contact  | yes                  |
| Contact pin diameter                                       | 2.5 mm               |
| Inflammability class of insulation material acc. with UL94 | Other                |
| Contact resistance   | ≤ 1.5 mOhm           |

### Classification

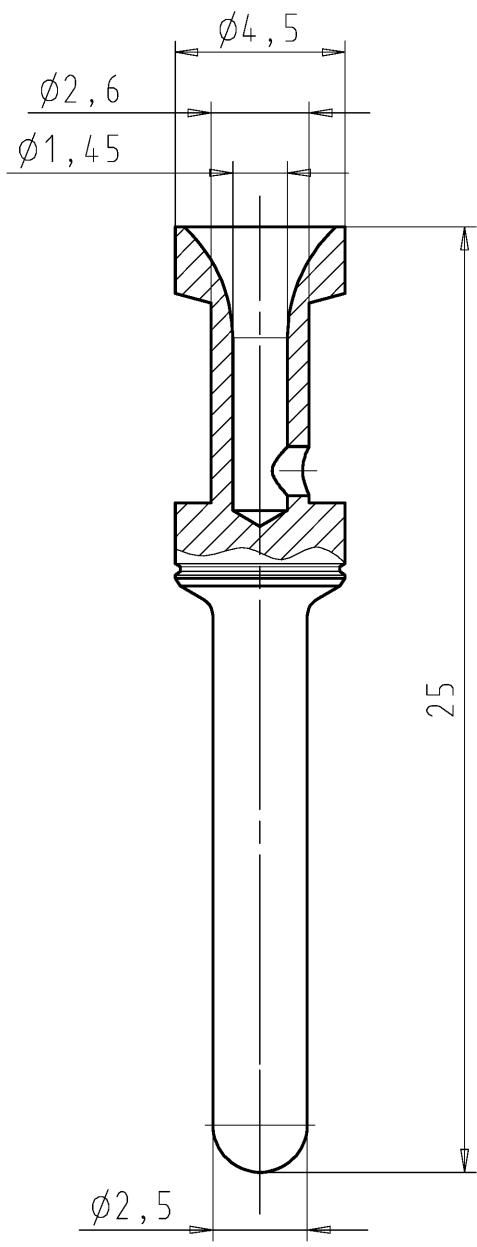
|            |          |
|------------|----------|
| ECLASS 11  |          |
| ECLASS 8.1 | 27440204 |
| ETIM 7.0   | EC000796 |
| ETIM 6.0   | EC000796 |
| ETIM 5.0   | EC000796 |
| ETIM 4.0   | EC000796 |
| ETIM 3.0   | EC000796 |

### Product compliance

|                              |                    |
|------------------------------|--------------------|
| ROHS conformity status       | Compliant/Exempted |
| ROHS exceptions              | III-6(c)           |
| REACH-SVHC conformity status | Duty-To-Declare    |
| REACH-SVHC substances        | Lead               |
| REACH-SVHC CAS numbers       | 7439-92-1          |

## Accessories

| Commercial Art.No.: | Article-type description:     | Description:   |
|---------------------|-------------------------------|--|
| 05.502.2100.0       | Crimping die B                | Crimp dies for revos crimping tool, usable for crimp-contacts with a cross section of 0.14-1.0 mm <sup>2</sup> , 1.5 mm <sup>2</sup> , 2.5 mm <sup>2</sup> and 4.0 mm <sup>2</sup> |
| 95.101.0800.0       | Basic crimping tool .         | Crimping tool kit  |
| 05.502.3500.0       | Extraction tool 500/690V-SER. | Extraction tool for turned contacts with a diameter of 2.5 mm  |
| 05.502.3300.0       | Contact positioner 3          | Contact positioner 3   |



These dimensions will be especially checked at delivery  
 Only inspection dimensions  
 With /E marked dimensions are only valid for internal use

Diese Maße werden bei Abnahme besonders geprüft  
 Ausschließlich Prüfmaße  
 Mit /E gekennzeichnete Maße sind nur für interne Zwecke gültig

Weitergabe sowie Vervielfältigung dieses Dokuments, Verwertung und Mitteilung seines Inhalts sind verboten, soweit nicht ausdrücklich gestattet. Die Reproduktion, Distribution und Utilization of this document as well as the communication of its contents to others without express authorization is prohibited.

(a)

| Part.-Nr.     | Hergestellt aus/<br>produced from: | Oberfläche/surface       |
|---------------|------------------------------------|--------------------------|
| 05.543.7121.0 | 05.543.7100.0                      | verzinkt/tin-plated      |
| 05.543.7102.0 | 05.543.7100.0                      | versilbert/silver-plated |
| 05.543.7101.7 | 05.543.7100.0                      | vergoldet/gold-plated    |
| 05.543.7101.0 | 05.543.7100.0                      | vergoldet/gold-plated    |
| 05.543.7100.0 |                                    | blank/metallic bright    |

Tolerierung nach DIN 7167/Tolerance system acc. to DIN 7167.  
 (This DIN-standard describes the envelope principle. According to the envelope principle the deviations of form and parallelism are limited by the size tolerances).

ja/yes  Stoffverbots- und Deklarationsliste nach UU-TQM-05/03 ist einzuhalten.  
 Conformity with Wieland document UU-TQM-05/03 (list of prohibited / declarable hazardous substances) to be declared!

Freitoleranz nach DIN 2768 - m

CAD - Zeichnung, keine manuellen Änderungen  
 CAD - drawing, no manual modifications allowed

1.Verwendung: Z5.543.7100.0  
 First Use:

Blatt: 1 von 1  
 Sheet: of

|                   |                               |                             |                                 |                           |  |                               |   |                   |
|-------------------|-------------------------------|-----------------------------|---------------------------------|---------------------------|--|-------------------------------|---|-------------------|
|                   | /                             |                             | Werkstoff/Material<br>CuZn36Pb3 | 2005                      | Tag/Date   | Name                          | Zeichnung Nr./Drawing No.<br><b>T 05.543.7100.0 01K a</b> | Index<br><b>a</b> |
|                   | /                             |                             |                                 | gezeichnet<br>drawn       | 08.11.   | Hoffmann A.                   |   |                   |
|                   | /                             | Maßstab/Scale<br><b>5:1</b> |                                 | geprüft<br>checked        | -  | -                             | Maße in mm/Dimensions are in mm                           |                   |
|                   | /                             |                             |                                 | Normgepr.<br>Stand. check | -  | -                             |   |                   |
|                   | /                             | Vol.                        | 148 mm <sup>3</sup>             | Of1./Surf.                | 300 mm <sup>2</sup>  | Ersatz für/Replacement for: - |   |                   |
|                   | /                             |                             | <b>wieland</b>                  | Type                      | Benennung/Title<br><b>STECKER</b><br>mit Crimpanschluß 1,0 mm <sup>2</sup><br>male contact with crimp barrel 1,0 mm <sup>2</sup> |                               |   |                   |
| a                 | 15.07.2015/                   |                             |                                 |                           |  |                               |   |                   |
| Index             | Datum / Blatt<br>Date / Sheet |                             |                                 |                           |  |                               |   |                   |
| Änderung/Revision |                               |                             |                                 |                           |  |                               |   |                   |