



PCB Connector Series

KLS1-XM1-3.00 Pitch=3.00mm TYPE

Electrical Specification:

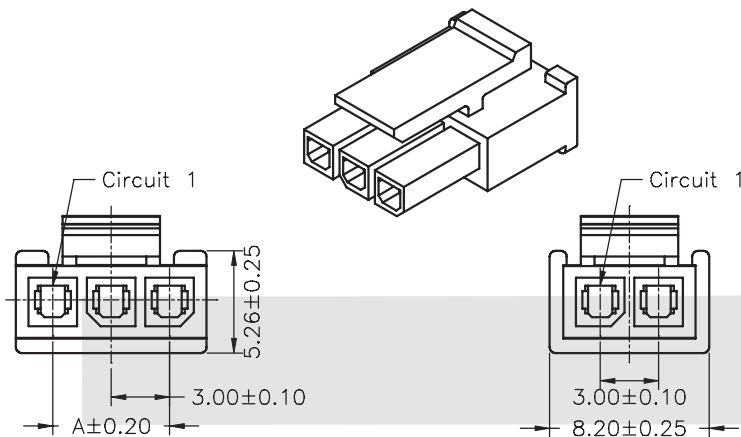
- Rated Voltage: 250V AC/DC
- Rated Current: 3A
- Contact Resistance: 0.015Ω max
- Insulation Resistance: 1000MΩ min
- Withstand voltage: 500V AC/MIN
- Temperature range for usage : -40°C~+105°C

Material:

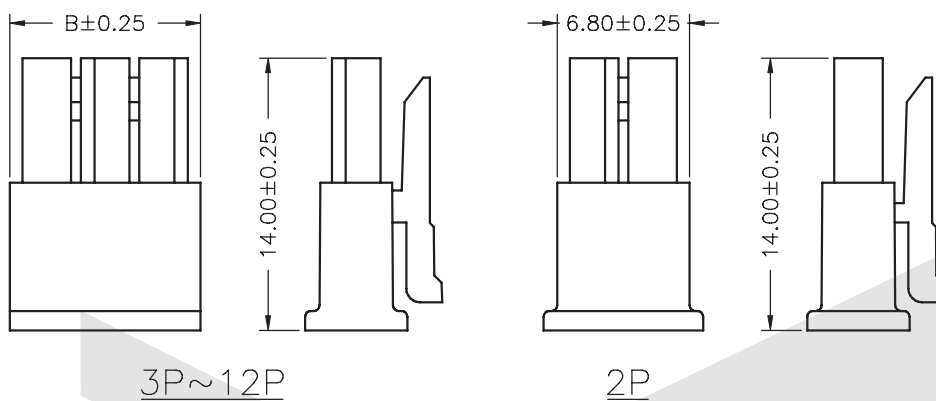
- Housing: PA66 (PA66) UL94V-2
- Contacts: Phosphor Bronze
- Plating: Tin 50u" over 100u" nickel
- Wire range : AWG#30~#22



Single layer Male Housing



PART NO.	Dimensions	
	A	B
02	3.00	6.80
03	6.00	9.80
04	9.00	12.80
05	12.00	15.80
06	15.00	18.80
07	18.00	21.80
08	21.00	24.80
09	24.00	27.80
10	27.00	30.80
11	30.00	33.80
12	33.00	36.80



ORDER INFORMATION

Product NO.: KLS1-XM1-3.00 - 1X04-MH

Series No. _____
Pitch: 3.00=3.00mm

Type: MH=Male Housing
FH=Female Housing
S=Straight pin
Pins: 1-Single layer 2-Double layer
Pin Number: 2~12Pin

FT=Female Terminal
MT=Male Terminal
R=Right pin

PCB Connector Series

KLS1-XM1-3.00 Pitch=3.00mm TYPE

Electrical Specification:

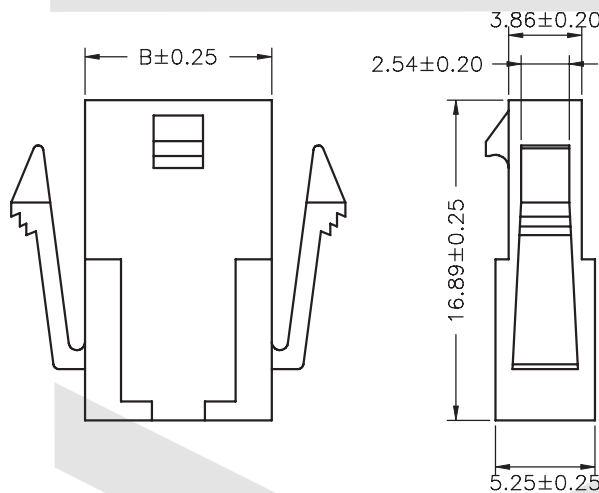
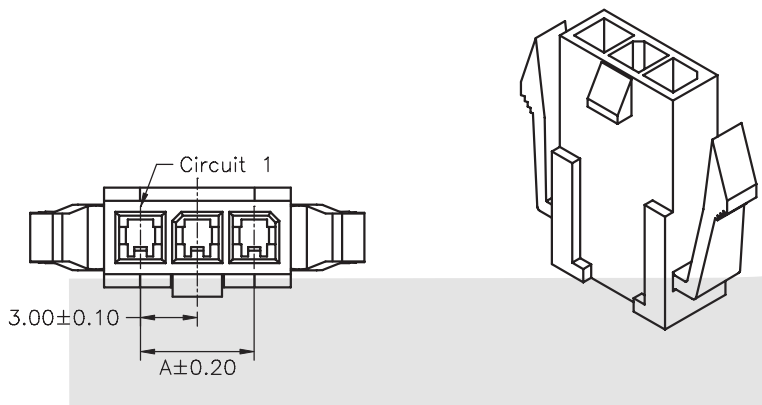
Rated Voltage: 250V AC/DC
 Rated Current: 3A
 Contact Resistance: 0.015Ω max
 Insulation Resistance: 1000MΩ min
 Withstand voltage: 500V AC/MIN
 Temperature range for usage : -40°C~+105°C

Material:

Housing: PA66 (PA66) UL94V-2
 Contacts: Phosphor Bronze
 Plating: Tin 50u" over 100u" nickel
 Wire range : AWG#30~#22



Single layer Female Housing



PART NO.	Dimensions	
	A	B
02	3.00	6.85
03	6.00	9.85
04	9.00	12.85
05	12.00	15.85
06	15.00	18.85
07	18.00	21.85
08	21.00	24.85
09	24.00	27.85
10	27.00	30.85
11	30.00	33.85
12	33.00	36.85

ORDER INFORMATION

Product NO.: KLS1-XM1-3.00 -1X04-FH

Series No. _____
 Pitch: 3.00=3.00mm

Type: MH=Male Housing
 FH=Female Housing
 S=Straight pin
 Pins: 1-Single layer 2-Double layer
 Pin Number: 2~12Pin

FT=Female Terminal
 MT=Male Terminal
 R=Right pin



PCB Connector Series

KLS1-XM1-3.00 Pitch=3.00mm TYPE

Electrical Specification:

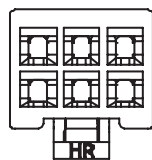
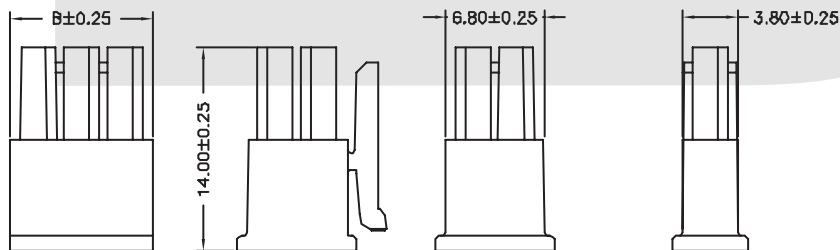
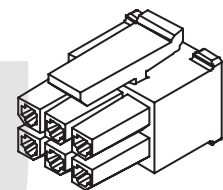
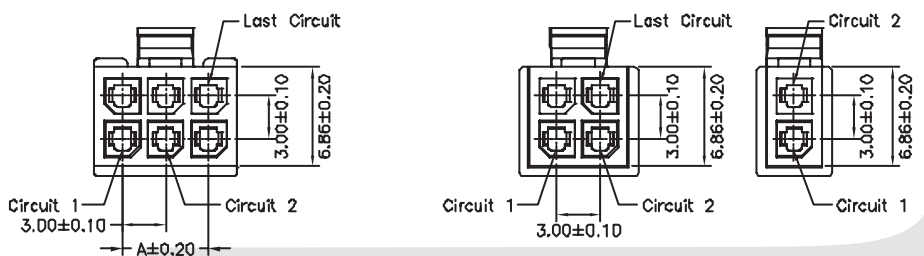
- Rated Voltage: 250V AC/DC
- Rated Current: 3A
- Contact Resistance: 0.015Ω max
- Insulation Resistance: 1000MΩ min
- Withstand voltage: 500V AC/MIN
- Temperature range for usage : -40°C~+105°C

Material:

- Housing: PA66 (PA66) UL94V-2
- Contacts: Phosphor Bronze
- Plating: Tin 50u" over 100u" nickel
- Wire range : AWG#30~#22



Double layer Male Housing



2X2P

2X1P

2X3P~2X12P

PART NO.	Dimensions	
	A	B
2X01	---	3.80
2X02	3.00	6.80
2X03	6.00	9.80
2X04	9.00	12.80
2X05	12.00	15.80
2X06	15.00	18.80
2X07	18.00	21.80
2X08	21.00	24.80
2X09	24.00	27.80
2X10	27.00	30.80
2X11	30.00	33.80
2X12	33.00	36.80

ORDER INFORMATION

Product NO.: KLS1-XM1-3.00 -2X04-MH

Series No. _____
Pitch: 3.00=3.00mm _____

Type: MH=Male Housing
FH=Female Housing
S=Straight pin
Pins: 1-Single layer 2-Double layer
Pin Number: 2~12Pin

FT=Female Terminal
MT=Male Terminal
R=Right pin

PCB Connector Series

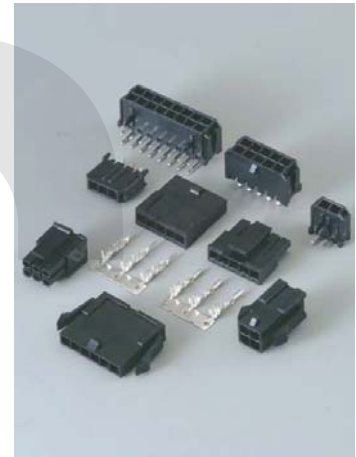
KLS1-XM1-3.00 Pitch=3.00mm TYPE

Electrical Specification:

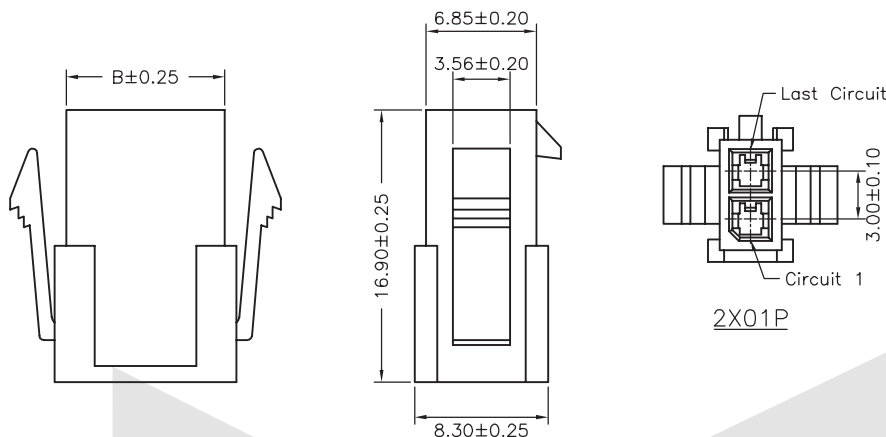
Rated Voltage: 250V AC.DC
 Rated Current: 3A
 Contact Resistance: 0.015Ω max
 Insulation Resistance: 1000MΩ min
 Withstand voltage: 500V AC/MIN
 Temperature range for usage : -40°C~+105°C

Material:

Housing: PA66 (PA66) UL94V-2
 Contacts: Phosphor Bronze
 Plating: Tin 50u" over 100u" nickel
 Wire range : AWG#30~#22



Double layer Female Housing



PART NO.	Dimensions	
	A	B
2X01	---	3.85
2X02	3.00	6.85
2X03	6.00	9.85
2X04	9.00	12.85
2X05	12.00	15.85
2X06	15.00	18.85
2X07	18.00	21.85
2X08	21.00	24.85
2X09	24.00	27.85
2X10	27.00	30.85
2X11	30.00	33.85
2X12	33.00	36.85

ORDER INFORMATION

Product NO.: KLS1-XM1-3.00 -2X04-FH

Series No. _____
 Pitch: 3.00=3.00mm _____
 Type: MH=Male Housing
 FH=Female Housing
 S=Straight pin
 FT=Female Terminal
 MT=Male Terminal
 R=Right pin
 Pins: 1-Single layer 2-Double layer
 Pin Number: 2~12Pin

PCB Connector Series

KLS1-XM1-3.00 Pitch=3.00mm TYPE

Electrical Specification:

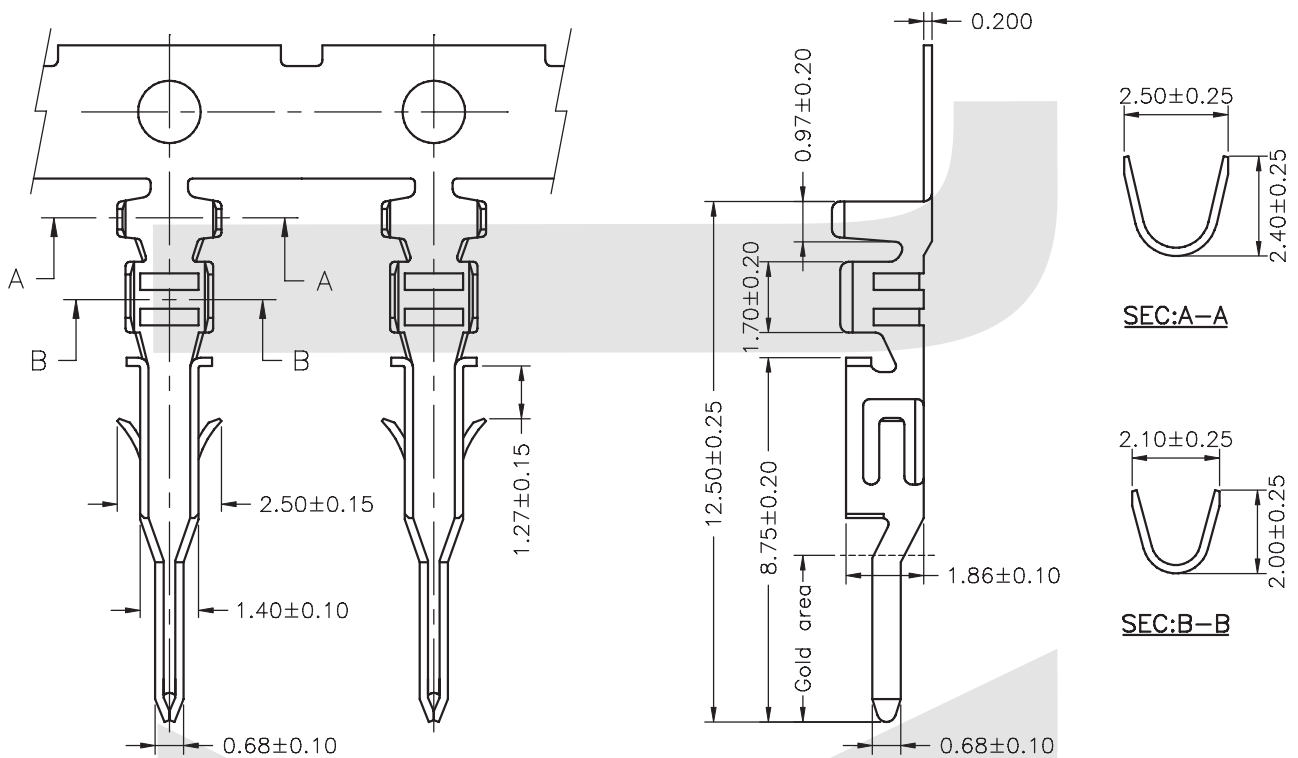
Rated Voltage: 250V AC/DC
 Rated Current: 3A
 Contact Resistance: 0.015Ω max
 Insulation Resistance: 1000MΩ min
 Withstand voltage: 500V AC/MIN
 Temperature range for usage : -40°C~+105°C

Material:

Housing: PA66 (PA66) UL94V-2
 Contacts: Phosphor Bronze
 Plating: Tin 50u" over 100u" nickel
 Wire range : AWG#30~#22



Male Terminal



ORDER INFORMATION

Product NO.: KLS1-XM1-3.00 -MT

Series No. _____
 Pitch: 3.00=3.00mm _____

Type: MH=Male Housing FT=Female Terminal
 FH=Female Housing MT=Male Terminal
 S=Straight pin R=Right pin



PCB Connector Series

KLS1-XM1-3.00 Pitch=3.00mm TYPE

Electrical Specification:

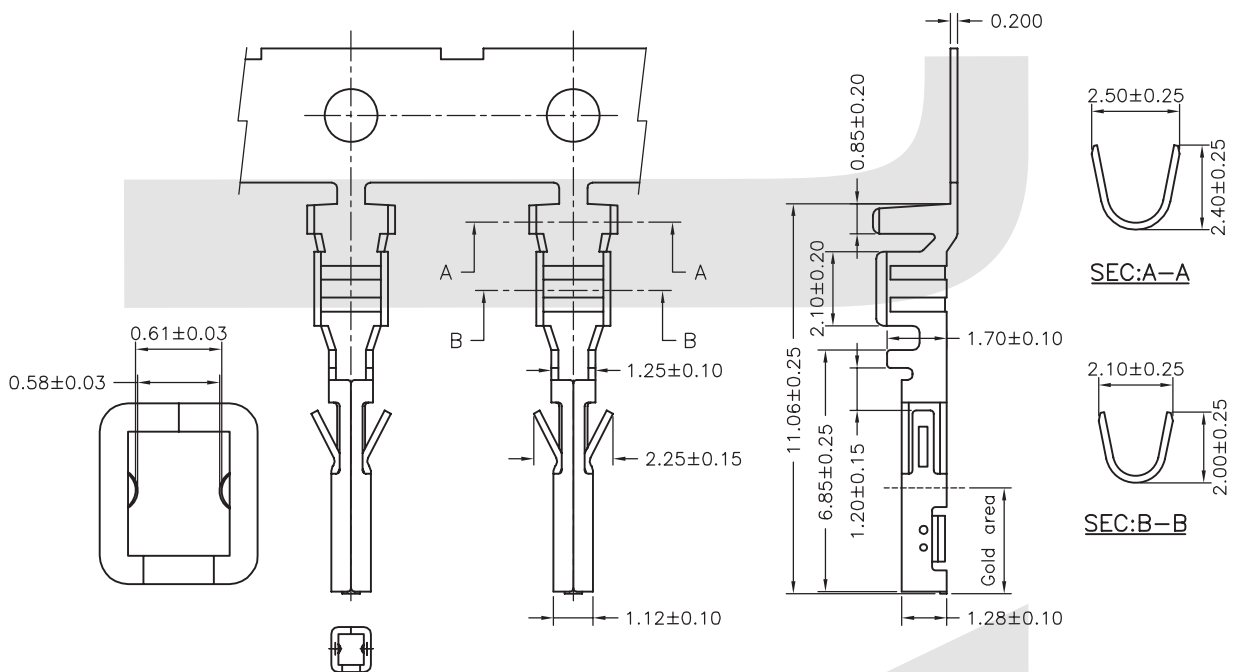
Rated Voltage: 250V AC/DC
 Rated Current: 3A
 Contact Resistance: 0.015Ω max
 Insulation Resistance: 1000MΩ min
 Withstand voltage: 500V AC/MIN
 Temperature range for usage : -40°C~+105°C

Material:

Housing: PA66 (PA66) UL94V-2
 Contacts: Phosphor Bronze
 Plating: Tin 50u" over 100u" nickel
 Wire range : AWG#30~#22



Female Terminal



ORDER INFORMATION

Product NO.: KLS1-XM1-3.00 - FT

Series No. _____
 Pitch: 3.00=3.00mm _____

Type: MH=Male Housing FT=Female Terminal
 FH=Female Housing MT=Male Terminal
 S=Straight pin R=Right pin

PCB Connector Series

KLS1-XM1-3.00 Pitch=3.00mm TYPE

Electrical Specification:

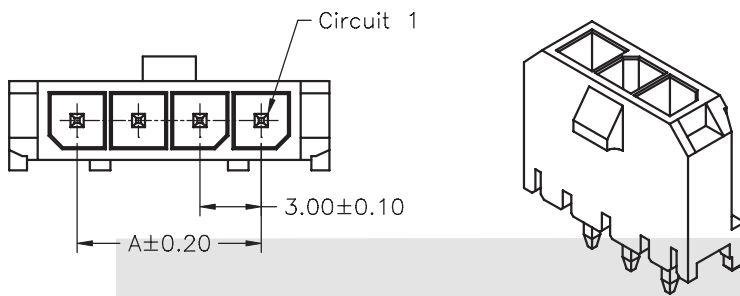
Rated Voltage: 250V AC/DC
 Rated Current: 3A
 Contact Resistance: 0.015Ω max
 Insulation Resistance: 1000MΩ min
 Withstand voltage: 500V AC/MIN
 Temperature range for usage : -40°C~+105°C

Material:

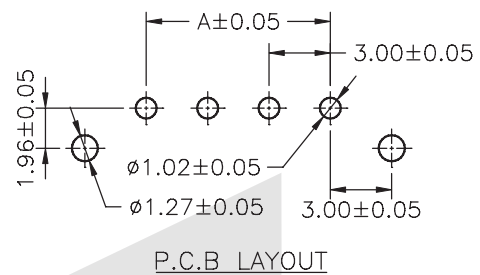
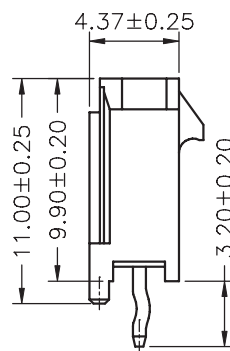
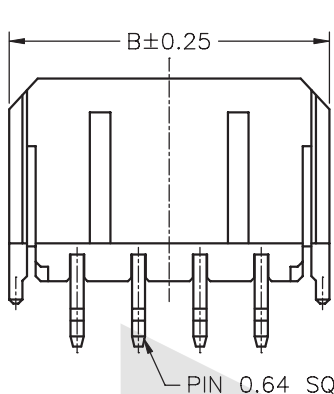
Housing: PA66 (PA66) UL94V-2
 Contacts: Brass
 Plating: Tin 50u" over 100u" nickel



Single layer Straight pin



PART NO.	Dimensions	
	A	B
02	3.00	9.65
03	6.00	12.65
04	9.00	15.65
05	12.00	18.65
06	15.00	21.65
07	18.00	24.65
08	21.00	27.65
09	24.00	30.65
10	27.00	33.65
11	30.00	36.65
12	33.00	39.65



ORDER INFORMATION

Product NO.: KLS1-XM1-3.00 -1X04- S

Series No. _____
 Pitch: 3.00=3.00mm

Type: MH=Male Housing FT=Female Terminal
 FH=Female Housing MT=Male Terminal
 S=Straight pin R=Right pin
 Pins: 1-Single layer 2-Double layer
 Pin Number: 2~12Pin

PCB Connector Series

KLS1-XM1-3.00 Pitch=3.00mm TYPE

Electrical Specification:

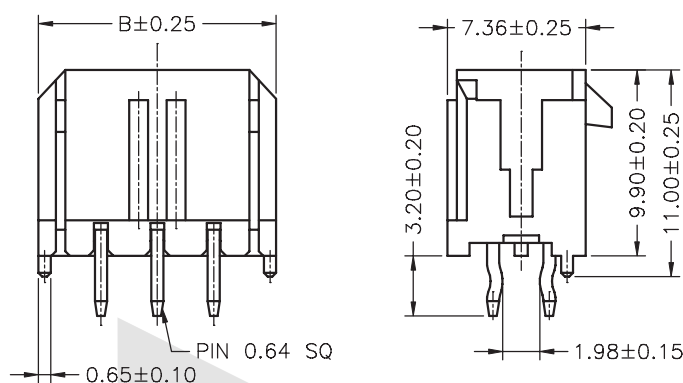
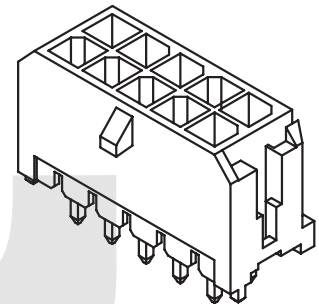
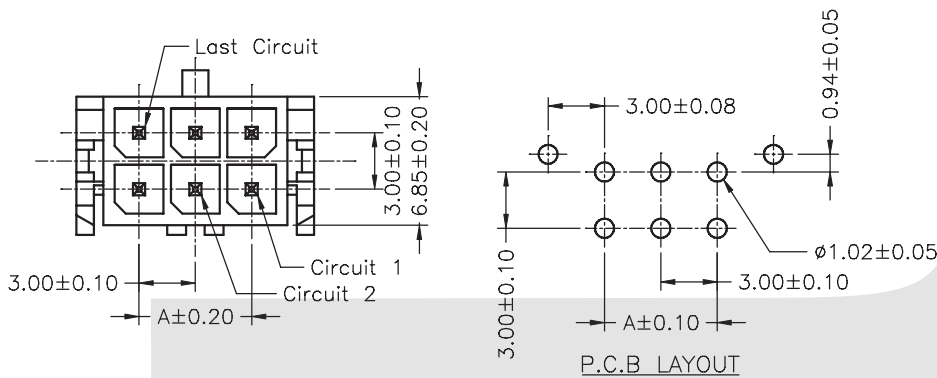
Rated Voltage: 250V AC/DC
 Rated Current: 3A
 Contact Resistance: 0.015Ω max
 Insulation Resistance: 1000MΩ min
 Withstand voltage: 500V AC/MIN
 Temperature range for usage : -40°C~+105°C

Material:

Housing: PA66 (PA66) UL94V-2
 Contacts: Brass
 Plating: Tin 50u" over 100u" nickel



Double layer Straight pin



PART NO.	Dimensions	
	A	B
2X01	---	6.65
2X02	3.00	9.65
2X03	6.00	12.65
2X04	9.00	15.65
2X05	12.00	18.65
2X06	15.00	21.65
2X07	18.00	24.65
2X08	21.00	27.65
2X09	24.00	30.65
2X10	27.00	33.65
2X11	30.00	36.65
2X12	33.00	39.65

ORDER INFORMATION

Product NO.: KLS1-XM1-3.00 -2X04- S

Series No. _____
 Pitch: 3.00=3.00mm

Type: MH=Male Housing
 FH=Female Housing
 S=Straight pin
 Pins: 1-Single layer
 Pin Number: 2~12Pin

FT=Female Terminal
 MT=Male Terminal
 R=Right pin

PCB Connector Series

KLS1-XM1-3.00 Pitch=3.00mm TYPE

Electrical Specification:

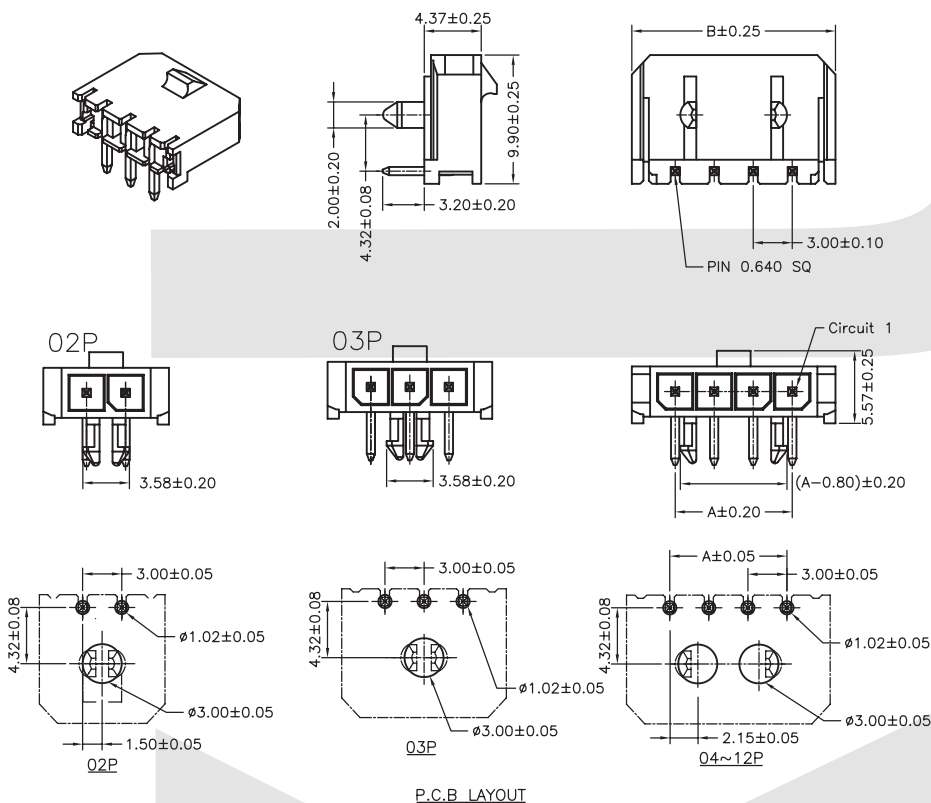
Rated Voltage: 250V AC/DC
 Rated Current: 3A
 Contact Resistance: 0.015Ω max
 Insulation Resistance: 1000MΩ min
 Withstand voltage: 500V AC/MIN
 Temperature range for usage: -40°C~+105°C

Material:

Housing: PA66 (PA66) UL94V-2
 Contacts: Brass
 Plating: Tin 50u" over 100u" nickel



Single layer Right pin



PART NO.	Dimensions	
	A	B
02	3.00	9.65
03	6.00	12.65
04	9.00	15.65
05	12.00	18.65
06	15.00	21.65
07	18.00	24.65
08	21.00	27.65
09	24.00	30.65
10	27.00	33.65
11	30.00	36.65
12	33.00	39.65

ORDER INFORMATION

Product NO.: KLS1-XM1-3.00 -1X04- R

Series No. _____
 Pitch: 3.00=3.00mm _____
 Type: MH=Male Housing FH=Female Housing S=Straight pin
 Pins: 1-Single layer 2-Double layer
 Pin Number: 2~12Pin
 FT=Female Terminal MT=Male Terminal R=Right pin

PCB Connector Series

KLS1-XM1-3.00 Pitch=3.00mm TYPE

Electrical Specification:

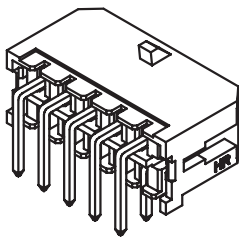
Rated Voltage: 250V AC/DC
 Rated Current: 3A
 Contact Resistance: 0.015Ω max
 Insulation Resistance: 1000MΩ min
 Withstand voltage: 500V AC/MIN
 Temperature range for usage : -40°C~+105°C

Material:

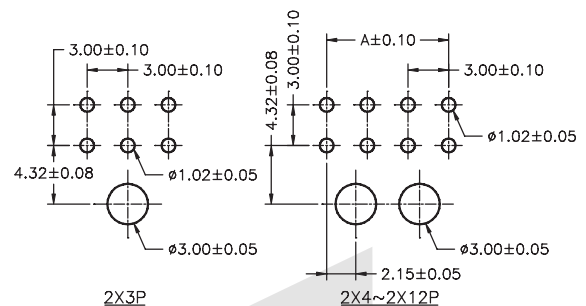
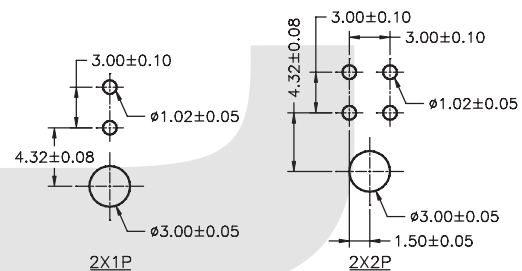
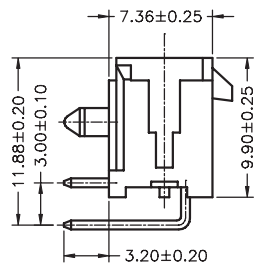
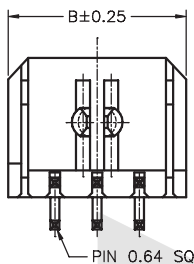
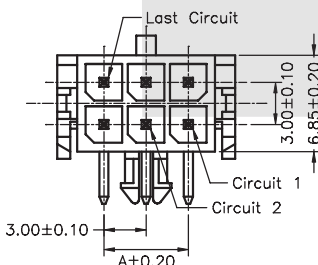
Housing: PA66 (PA66) UL94V-2
 Contacts: Brass
 Plating: Tin 50u" over 100u" nickel



Double layer Right pin



PART NO.	Dimensions	
	A	B
2X01	---	6.65
2X02	3.00	9.65
2X03	6.00	12.65
2X04	9.00	15.65
2X05	12.00	18.65
2X06	15.00	21.65
2X07	18.00	24.65
2X08	21.00	27.65
2X09	24.00	30.65
2X10	27.00	33.65
2X11	30.00	36.65
2X12	33.00	39.65



P.C.B. LAYOUT

ORDER INFORMATION

Product NO.: KLS1-XM1-3.00 -2X04- R

Series No. _____
 Pitch: 3.00=3.00mm _____

Type: MH=Male Housing FT=Female Terminal
 FH=Female Housing MT=Male Terminal
 S=Straight pin R=Right pin
 Pins: 1-Single layer 2-Double layer
 Pin Number: 2~12Pin

Wire To Board Connector

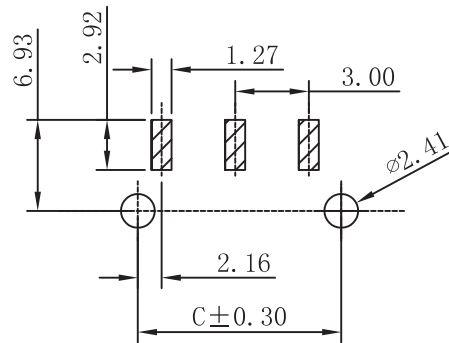
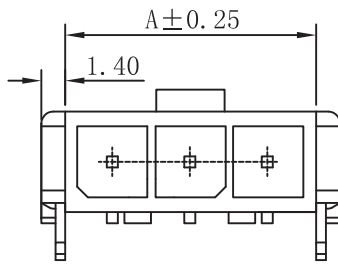
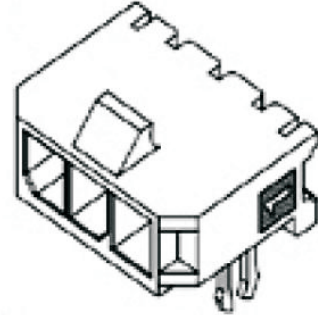
KLS1-XM1-3.00 3.0mm pitch Single layer, Horizontal SMT With Fork Lock

Electrical Specification:

Voltage rating: 250V AC, DC
Current rated: 5A, AC, DC
Contact resistance: 10mΩ max
Insulation resistance: 1000MΩ min
Withstanding voltage: 1500V AC/minute
Temperature range: -25°C ~ +85°C

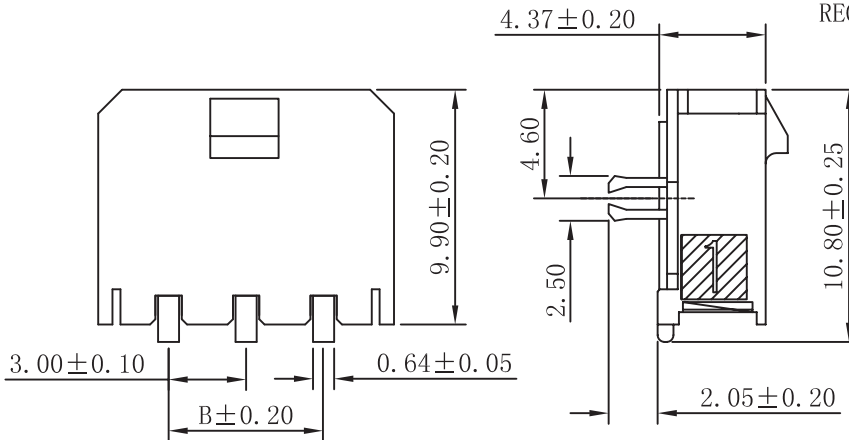
Material:

Housing: LCP UL94V-0
Contacts: Bronze/Tin-plated



PCB LAYOUT: COMPONENT SIDE

RECOMMENDED PCB THICKNESS: 1.57



Part No	Dimensions (mm)		
	A	B	C
1x02-RMT	6.85	3.00	7.30
1x03-RMT	9.85	6.00	10.30
1x04-RMT	12.85	9.00	13.30
1x05-RMT	15.85	12.00	16.30
1x06-RMT	18.85	15.00	19.30
1x07-RMT	21.85	18.00	22.30
1x08-RMT	24.85	21.00	25.30
1x09-RMT	27.85	24.00	28.30
1x10-RMT	30.85	27.00	31.30
1x11-RMT	33.85	30.00	34.30
1x12-RMT	36.85	33.00	37.30

ORDER INFORMATION

Product NO.: KLS1-XM1-3.00-1xN-RMT

Series No. _____
Pitch: 3.00=3.00mm _____
Pins: 1-Single layer, 2-Double layer _____
Pin Number: 2~12Pin _____

Type:
RT=Horizontal SMT With post
VT=Vertical SMT With post
RMT=Horizontal SMT With Fork Lock
VMT=Vertical SMT With Fork Lock

Wire To Board Connector

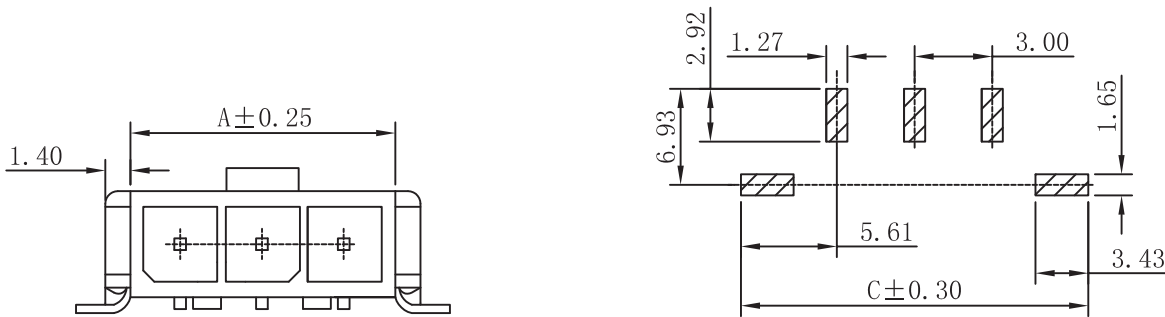
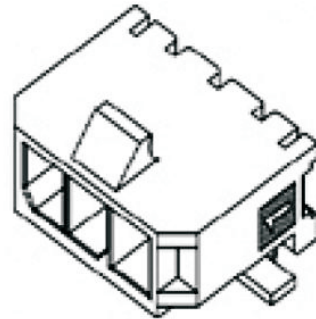
KLS1-XM1-3.00 3.0mm pitch Single layer,Horizontal SMT With post

Electrical Specification:

Voltage rating:250V AC,DC
Current rated:5A,AC,DC
Contact resistance:10mΩ max
Insulation resistance:1000MΩ min
Withstanding voltage:1500V AC/minute
Temperature range:-25°C~+85°C

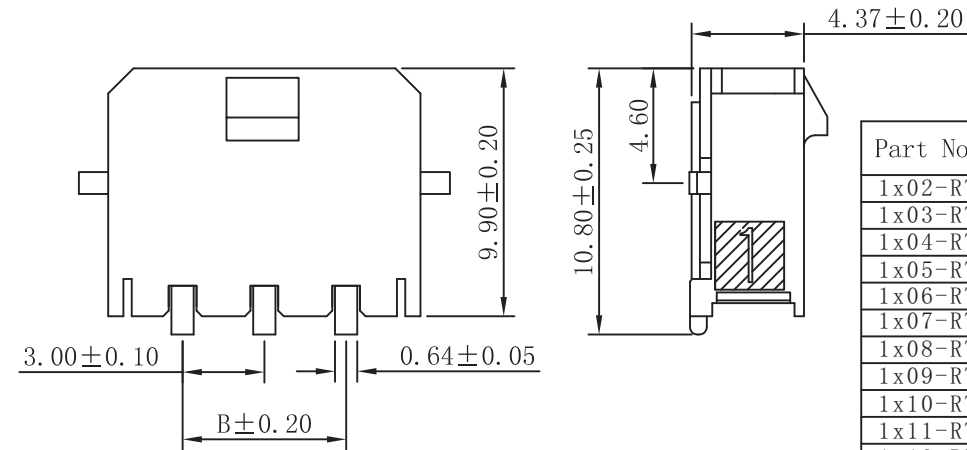
Material:

Housing: LCP UL94V-0
Contacts:Bronze/Tin-plated



PCB LAYOUT:COMPONENT SIDE

RECOMMENDED PCB THICKNESS:1.57



Part No	Dimensions (mm)		
	A	B	C
1x02-RT	6.85	3.00	14.20
1x03-RT	9.85	6.00	17.20
1x04-RT	12.85	9.00	20.20
1x05-RT	15.85	12.00	23.20
1x06-RT	18.85	15.00	26.20
1x07-RT	21.85	18.00	29.20
1x08-RT	24.85	21.00	32.20
1x09-RT	27.85	24.00	35.20
1x10-RT	30.85	27.00	38.20
1x11-RT	33.85	30.00	41.20
1x12-RT	36.85	33.00	44.20

ORDER INFORMATION

Product NO.: KLS1-XM1-3.00-1xN-RT

Series No. _____
Pitch: 3.00=3.00mm _____
Pins: 1-Single layer,2-Double layer _____
Pin Number: 2~12Pin _____
Type:
RT=Horizontal SMT With post
VT=Vertical SMT With post
RMT=Horizontal SMT With Fork Lock
VMT=Vertical SMT With Fork Lock

Wire To Board Connector

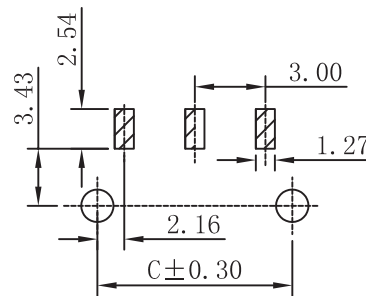
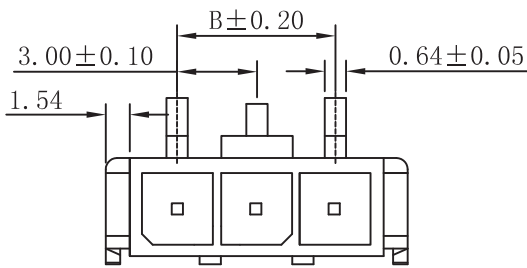
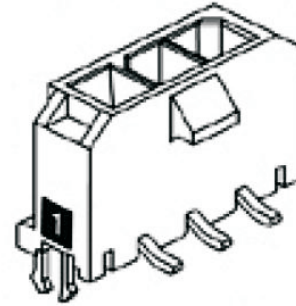
KLS1-XM1-3.00 3.0mm pitch Single layer, Vertical SMT With Fork Lock

Electrical Specification:

Voltage rating:250V AC,DC
Current rated:5A,AC,DC
Contact resistance:10mΩ max
Insulation resistance:1000MΩ min
Withstanding voltage:1500V AC/minute
Temperature range:-25°C~+85°C

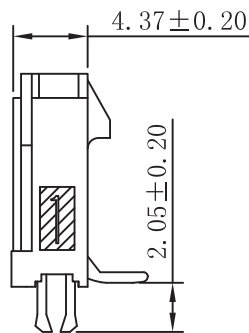
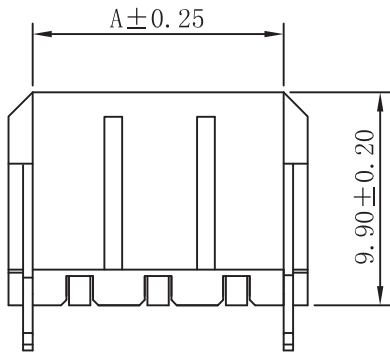
Material:

Housing: LCP UL94V-0
Contacts:Bronze/Tin-plated



PCB LAYOUT: COMPONENT SIDE

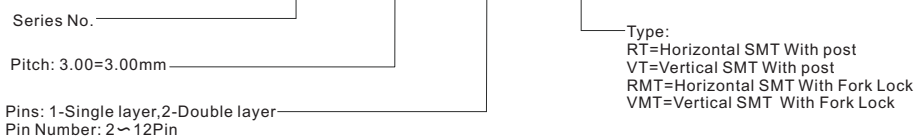
RECOMMENDED PCB THICKNESS: 1.57



Part No	Dimensions (mm)		
	A	B	C
1x02-VMT	6.85	3.00	7.30
1x03-VMT	9.85	6.00	10.30
1x04-VMT	12.85	9.00	13.30
1x05-VMT	15.85	12.00	16.30
1x06-VMT	18.85	15.00	19.30
1x07-VMT	21.85	18.00	22.30
1x08-VMT	24.85	21.00	25.30
1x09-VMT	27.85	24.00	28.30
1x10-VMT	30.85	27.00	31.30
1x11-VMT	33.85	30.00	34.30
1x12-VMT	36.85	33.00	37.30

ORDER INFORMATION

Product NO.: KLS1-XM1-3.00-1xN-VMT



Wire To Board Connector

KLS1-XM1-3.00 3.0mm pitch Double layer,Horizontal SMT With Fork Lock

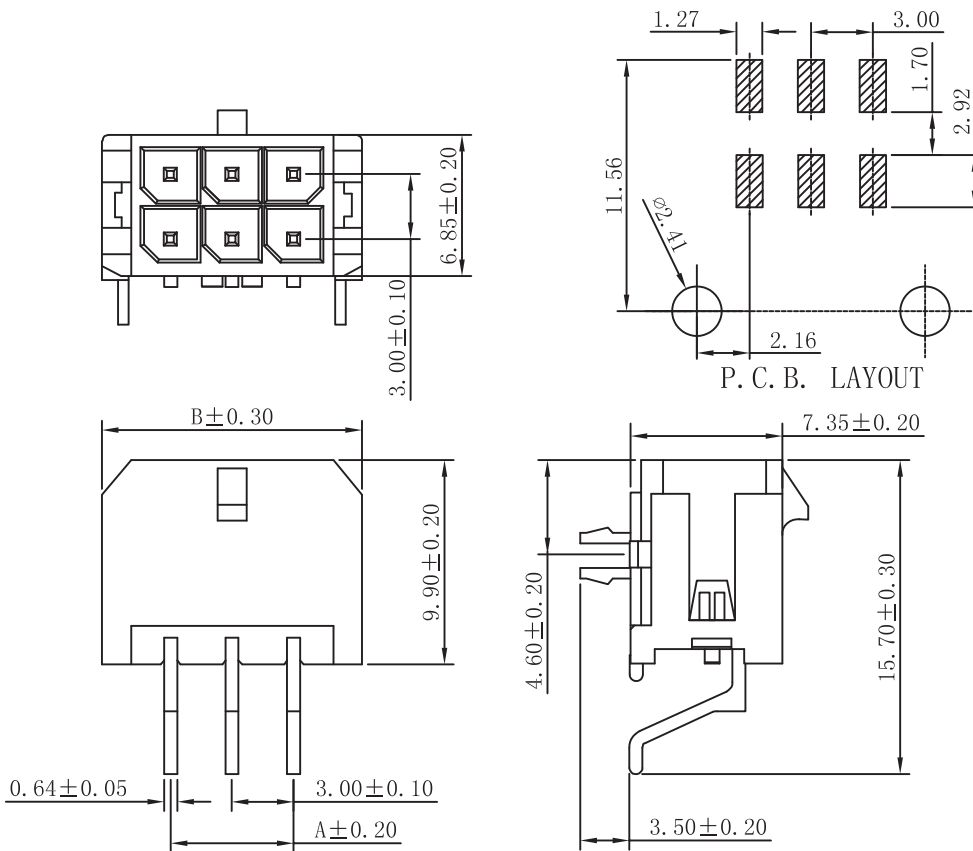
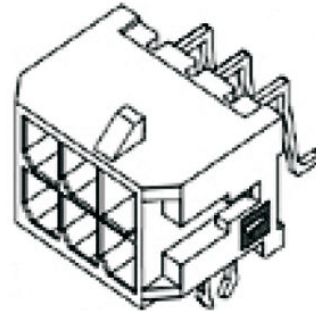
I

Electrical Specification:

Voltage rating:250V AC,DC
Current rated:5A,AC,DC
Contact resistance:10mΩ max
Insulation resistance:1000MΩ min
Withstanding voltage:1500V AC/minute
Temperature range:-25°C~+85°C

Material:

Housing: LCP UL94V-0
Contacts:Bronze/Tin-plated



PART NO.	Dimensions (mm)	
	A	B
2x01-RMT	--	6.65
2x02-RMT	3.00	9.65
2x03-RMT	6.00	12.65
2x04-RMT	9.00	15.65
2x05-RMT	12.00	18.65
2x06-RMT	15.00	21.65
2x07-RMT	18.00	24.65
2x08-RMT	21.00	27.65
2x09-RMT	24.00	30.65
2x10-RMT	27.00	33.65
2x11-RMT	30.00	36.65
2x12-RMT	33.00	39.65

ORDER INFORMATION

Product NO.: KLS1-XM1-3.00-2xN-RMT

Series No. _____
Pitch: 3.00=3.00mm _____
Pins: 1-Single layer,2-Double layer _____
Pin Number: 2~12Pin _____

Type:
RT=Horizontal SMT With post
VT=Vertical SMT With post
RMT=Horizontal SMT With Fork Lock
VMT=Vertical SMT With Fork Lock

Wire To Board Connector

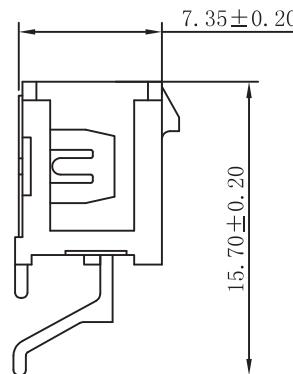
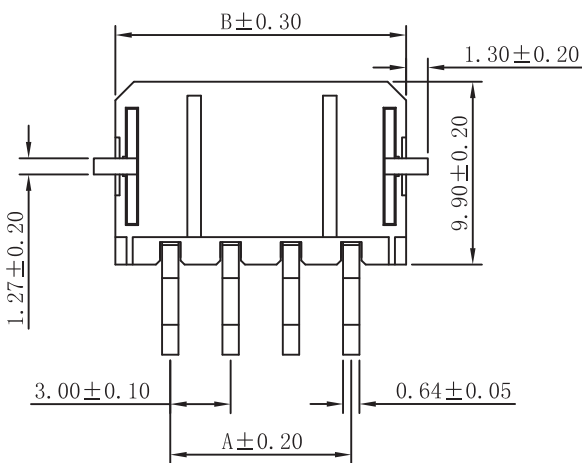
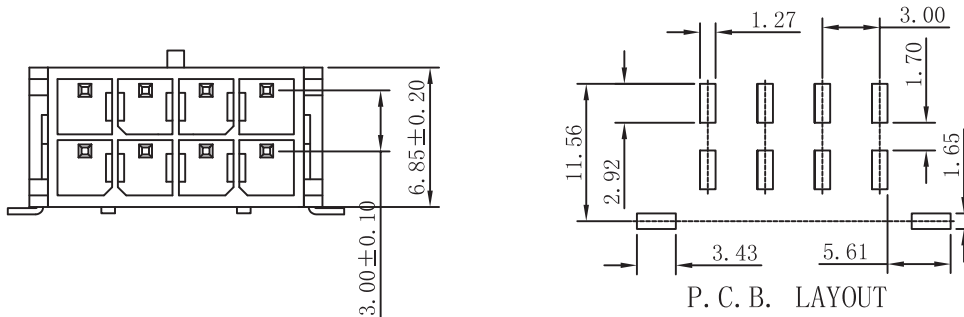
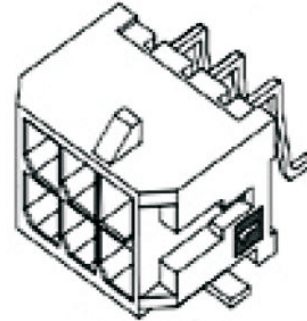
KLS1-XM1-3.00 3.0mm pitch Double layer,Horizontal SMT With post

Electrical Specification:

Voltage rating:250V AC,DC
Current rated:5A,AC,DC
Contact resistance:10mΩ max
Insulation resistance:1000MΩ min
Withstanding voltage:1500V AC/minute
Temperature range:-25°C~+85°C

Material:

Housing: LCP UL94V-0
Contacts:Bronze/Tin-plated



PART NO.	Dimensions (mm)	
	A	B
2x01-RT	--	6.65
2x02-RT	3.00	9.65
2x03-RT	6.00	12.65
2x04-RT	9.00	15.65
2x05-RT	12.00	18.65
2x06-RT	15.00	21.65
2x07-RT	18.00	24.65
2x08-RT	21.00	27.65
2x09-RT	24.00	30.65
2x10-RT	27.00	33.65
2x11-RT	30.00	36.65
2x12-RT	33.00	39.65

ORDER INFORMATION

Product NO.: KLS1-XM1-3.00-2xN-RT

Series No. _____
Pitch: 3.00=3.00mm _____
Pins: 1-Single layer,2-Double layer _____
Pin Number: 2~12Pin _____
Type:
RT=Horizontal SMT With post
VT=Vertical SMT With post
RMT=Horizontal SMT With Fork Lock
VMT=Vertical SMT With Fork Lock

Wire To Board Connector

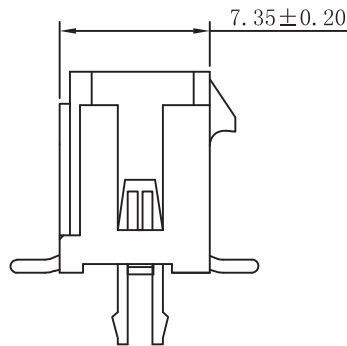
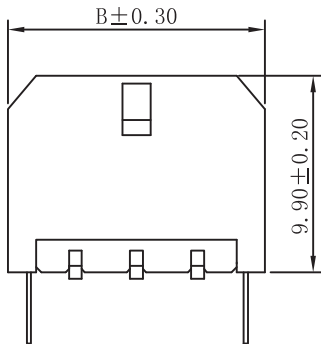
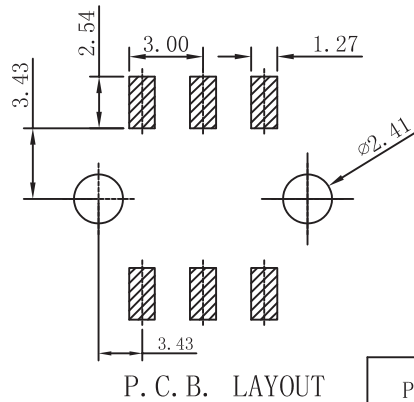
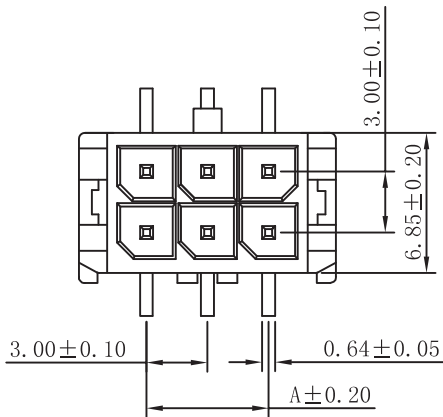
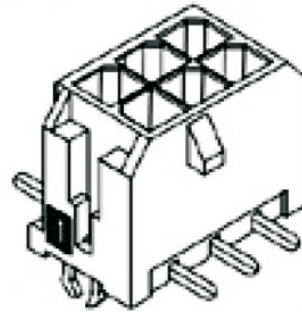
KLS1-XM1-3.00 3.0mm pitch Double layer, Vertical SMT With Fork Lock

Electrical Specification:

Voltage rating:250V AC,DC
Current rated:5A, AC, DC
Contact resistance:10mΩ max
Insulation resistance:1000MΩ min
Withstanding voltage:1500V AC/minute
Temperature range:-25°C~+85°C

Material:

Housing: LCP UL94V-0
Contacts: Bronze/Tin-plated



PART NO.	Dimensions (mm)	
	A	B
2x01-RMT	--	6.65
2x02-RMT	3.00	9.65
2x03-RMT	6.00	12.65
2x04-RMT	9.00	15.65
2x05-RMT	12.00	18.65
2x06-RMT	15.00	21.65
2x07-RMT	18.00	24.65
2x08-RMT	21.00	27.65
2x09-RMT	24.00	30.65
2x10-RMT	27.00	33.65
2x11-RMT	30.00	36.65
2x12-RMT	33.00	39.65

ORDER INFORMATION

Product NO.: KLS1-XM1-3.00-2xN-VMT

Series No. _____
Pitch: 3.00=3.00mm _____
Pins: 1-Single layer, 2-Double layer _____
Pin Number: 2~12Pin _____

Type:
RT=Horizontal SMT With post
VT=Vertical SMT With post
RMT=Horizontal SMT With Fork Lock
VMT=Vertical SMT With Fork Lock

Wire To Board Connector

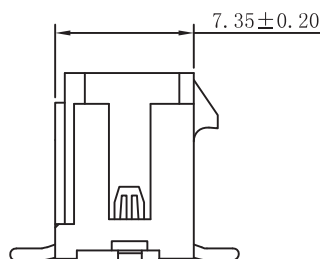
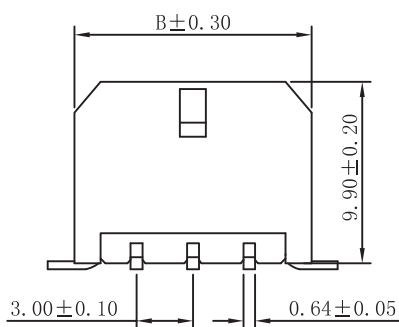
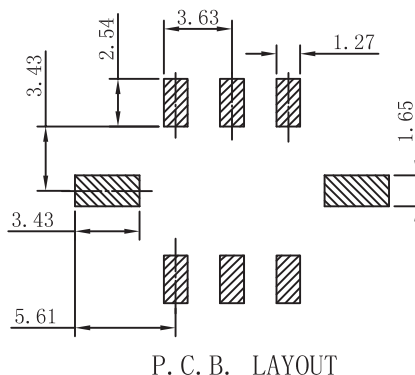
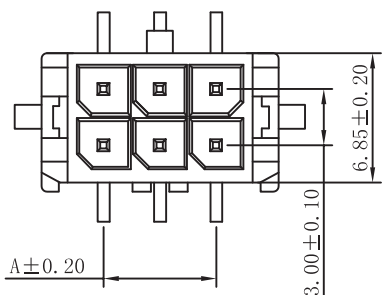
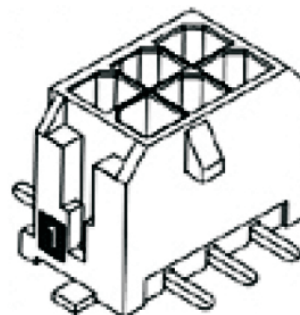
KLS1-XM1-3.00 3.0mm pitch Double layer, Vertical SMT With post

Electrical Specification:

Voltage rating:250V AC,DC
Current rated:5A, AC, DC
Contact resistance:10mΩ max
Insulation resistance:1000MΩ min
Withstanding voltage:1500V AC/minute
Temperature range:-25°C~+85°C

Material:

Housing: LCP UL94V-0
Contacts: Bronze/Tin-plated



PART NO.	Dimensions (mm)	
	A	B
2x01-VT	--	6.65
2x02-VT	3.00	9.65
2x03-VT	6.00	12.65
2x04-VT	9.00	15.65
2x05-VT	12.00	18.65
2x06-VT	15.00	21.65
2x07-VT	18.00	24.65
2x08-VT	21.00	27.65
2x09-VT	24.00	30.65
2x10-VT	27.00	33.65
2x11-VT	30.00	36.65
2x12-VT	33.00	39.65

ORDER INFORMATION

Product NO.: KLS1-XM1-3.00-2xN-VT

Series No. _____
Pitch: 3.00=3.00mm _____
Pins: 1-Single layer, 2-Double layer _____
Pin Number: 2~12Pin _____
Type:
RT=Horizontal SMT With post
VT=Vertical SMT With post
RMT=Horizontal SMT With Fork Lock
VMT=Vertical SMT With Fork Lock