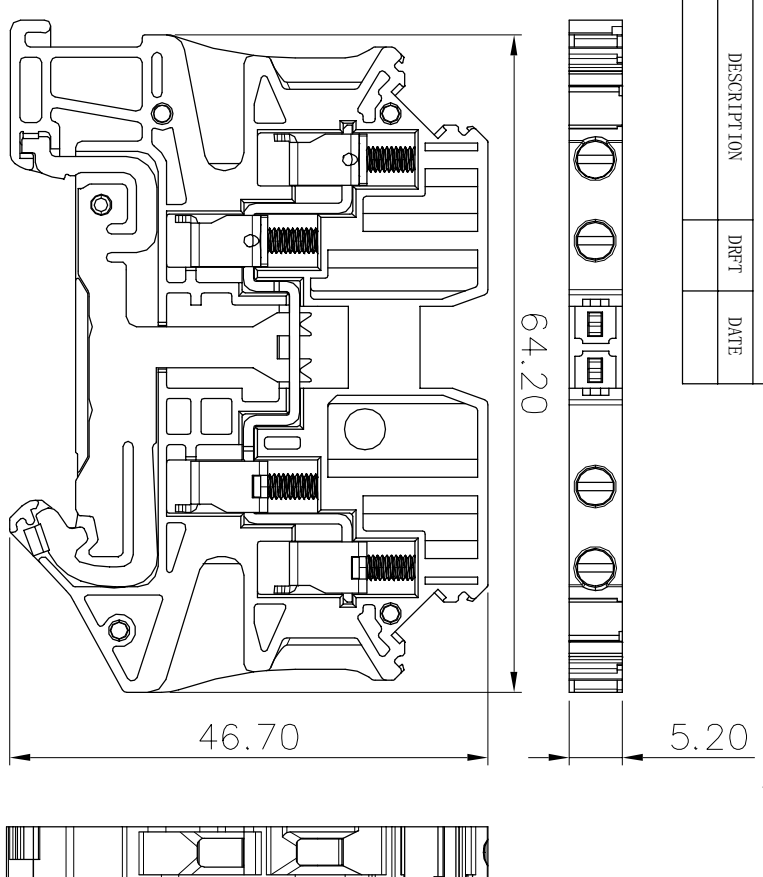


REVISION RECORD			
REV	ECN	DESCRIPTION	DATE



Transmittal, reproduction, dissemination and/or editing of this document as well as utilization of its contents and communication thereof to others without express authorization are prohibited.

未经允许禁止传输、复制、编辑该文档，以及利用其内容进行交流

NOTES:

- 1. Conductor cross section : 26~12AWG
- 2. Rated torque : M2.5 , 3.54Lb.in
- 3. Rated Voltage/Current :

Use group	B	C	D
Rated voltage(V)	300	300	600
Rated current(A)	/	/	/

IEC Standard

1. Conductor cross section :

Wire range(Solid/Stranded)	0.2-2.5mm ²	0.2-4mm ²	0.2-2.5mm ²
Solid	0.2-2.5mm ²	0.2-2.5mm ²	0.2-2.5mm ²
Stranded	0.2-2.5mm ²	0.2-2.5mm ²	0.2-2.5mm ²

Stranded with ferrules without plastic sleeve : 0.2-2.5mm²

Stranded with ferrules with plastic sleeve : 0.2-2.5mm²

- 2. Rated torque : M2.5 , 0.40N • m
- 3. Rated Voltage/Current :

Surge voltage category	III
Surge voltage category	III
Rated surge voltage(KV)	8
Rated voltage(V)	1000
Rated current(A)	/

Material:

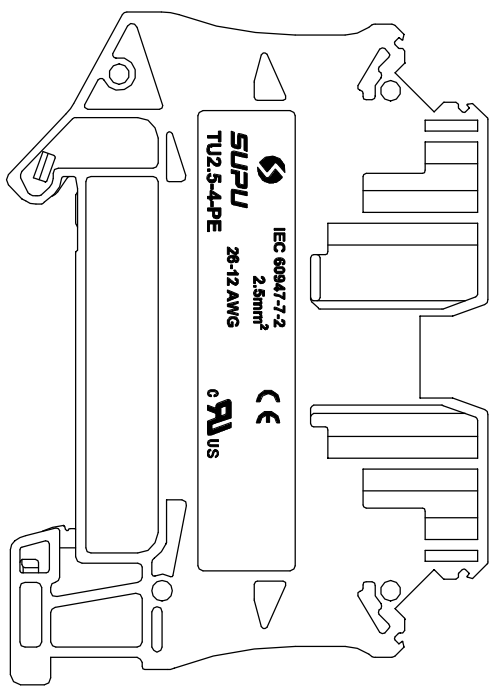
Insulator	PA66	UL94 V-0
Cage	Steel	Zn plated
Conductor	Copper alloy	Sn plated
Screw	Steel	Zn plated
Screw	Steel	Zn plated

General information:

- 1. Dimension shall be interpreted per ASME Y14.5-2009
- 2. Stripping length : 9-11mm
- 3. Operating temperature: -40°C~+105°C
- 4. RoHS Compliance
- 5. Undimensioned Tolerances:

Pitch Range in mm	Nominal Dimension	Tolerance
Over 6	Over 30	Over 100
To 10	To 60	To 150
To 24	To 100	To 150
To 30	To 150	To 150
To 60	To 150	To 150
To 100	To 150	To 150
To 150	To 150	To 150
±0.15	±0.20	±0.30
±0.30	±0.50	±1.00
±0.50	±0.70	±1.30
±1.00	±1.30	±1.30
±1.30	±1.30	±1.30

- Connection method:**
- 1. For solid wire, peeling wire in right length, fix in by rated torque force.
 - 2. For stranded wire, connect directly after peeling in right length, or furruled on wire and fix in by rated torque force.
- (Attention: torque force should be equable, no explosive power.)



HOW TO ORDER:

TU2.5-4-PE

Series: TU2.5-4-PE
Color: PE: Yellow green

订货号 Order No.	TU2.5-4-PE	名称 Name	TU系列2.5mm ² 铁螺钉二进二出接地端子	未注公差 Tolerance	表面 Surface
项目 Item	签字 Signature	图号 Drawing No.	PRM...	公差表 Tolerances Table	VDI21
设计 Design	CJS	日期 Date	11/19/20"	版本号 Revision Number	重量 Weight
审核 Check	CW	日期 Date	11/19/20"	物料号 Item No.	比例 Scale
工艺 Check	-	日期 Date	-	物料号 Item No.	1:1
标准化 Unity	-	日期 Date	-	物料号 Item No.	/
批准 Approve	LWL	日期 Date	11/19/20"	物料号 Item No.	mm

第1页/共1页 1 of 1

SUPU 宁波波普电子有限公司
NINGBO SUPU ELECTRONICS CO.,LTD.