



DC COMPONENTS CO., LTD.

DISCRETE SEMICONDUCTORS

BC327

TECHNICAL SPECIFICATIONS OF PNP EPITAXIAL PLANAR TRANSISTOR

Description

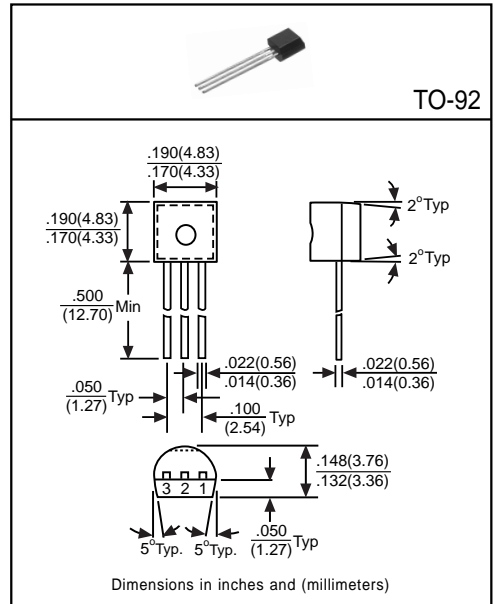
Designed for driver and output stage of audio amplifiers.

Pinning

- 1 = Collector
- 2 = Base
- 3 = Emitter

Absolute Maximum Ratings(T<sub>A</sub>=25°C)

Characteristic	Symbol	Rating	Unit
Collector-Base Voltage	V <sub>CB0</sub>	-50	V
Collector-Emitter Voltage	V <sub>CE0</sub>	-45	V
Emitter-Base Voltage	V <sub>EB0</sub>	-5	V
Collector Current	I <sub>C</sub>	-500	mA
Total Power Dissipation	P <sub>D</sub>	625	mW
Junction Temperature	T <sub>J</sub>	+150	°C
Storage Temperature	T <sub>STG</sub>	-55 to +150	°C



Electrical Characteristics

(Ratings at 25°C ambient temperature unless otherwise specified)

Characteristic	Symbol	Min	Typ	Max	Unit	Test Conditions
Collector-Base Breakdown Voltage	BV <sub>CB0</sub>	-50	-	-	V	I <sub>C</sub> =-100μA, I <sub>E</sub> =0
Collector-Emitter Breakdown Voltage	BV <sub>CE0</sub>	-45	-	-	V	I <sub>C</sub> =-10mA, I <sub>B</sub> =0
Emitter-Base Breakdown Voltage	BV <sub>EB0</sub>	-5	-	-	V	I <sub>E</sub> =-100μA, I <sub>C</sub> =0
Collector Cutoff Current	I <sub>CBO</sub>	-	-	-0.1	μA	V <sub>CB</sub> =-30V, I <sub>E</sub> =0
Emitter Cutoff Current	I <sub>EBO</sub>	-	-	-0.1	μA	V <sub>EB</sub> =-5V, I <sub>C</sub> =0
Collector-Emitter Saturation Voltage <sup>(1)</sup>	V <sub>CE(sat)</sub>	-	-	-0.7	V	I <sub>C</sub> =-500mA, I <sub>B</sub> =-50mA
Base-Emitter On Voltage <sup>(1)</sup>	V <sub>BE(on)</sub>	-	-	-1.2	V	V <sub>CE</sub> =-1V, I <sub>C</sub> =-300mA
DC Current Gain <sup>(1)</sup>	hFE1	100	-	630	-	I <sub>C</sub> =-100mA, V <sub>CE</sub> =-1V
	hFE2	40	-	-	-	I <sub>C</sub> =-300mA, V <sub>CE</sub> =-1V
Transition Frequency	f <sub>T</sub>	-	100	-	MHz	I <sub>C</sub> =-10mA, V <sub>CE</sub> =-5V, f=100MHz
Output Capacitance	C <sub>ob</sub>	-	4	-	pF	V <sub>CB</sub> =-10V, f=1MHz, I <sub>C</sub> =0

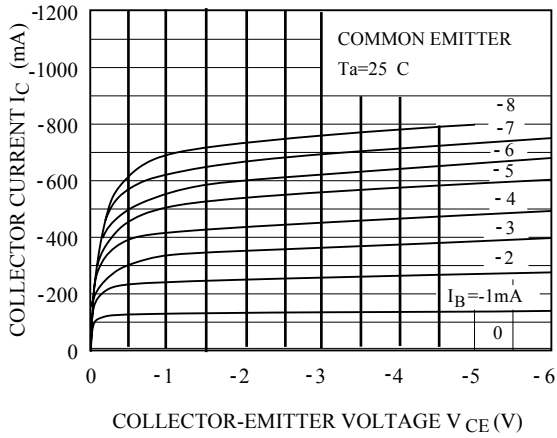
(1)Pulse Test: Pulse Width ≤ 380μs, Duty Cycle ≤ 2%

Classification of hFE1

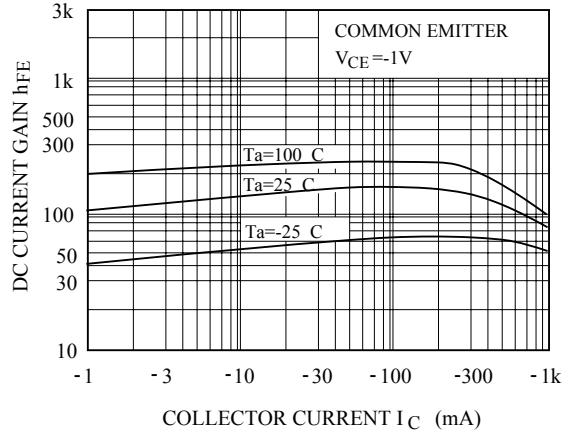
Rank	16	25	40
Range	100~250	160~400	250~630

## Electrical Characteristic Curves

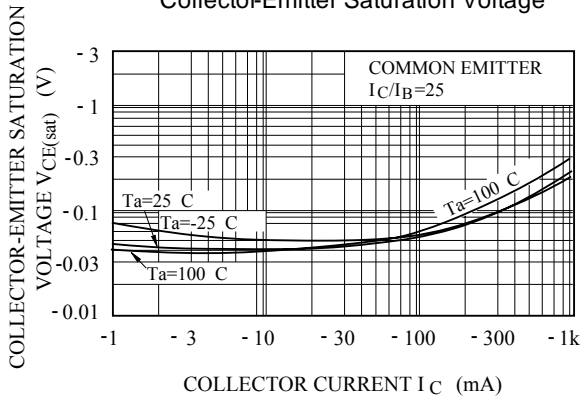
### Typical Output Characteristics



### DC Current Gain



### Collector-Emitter Saturation Voltage



### Current Gain-Bandwidth Product

