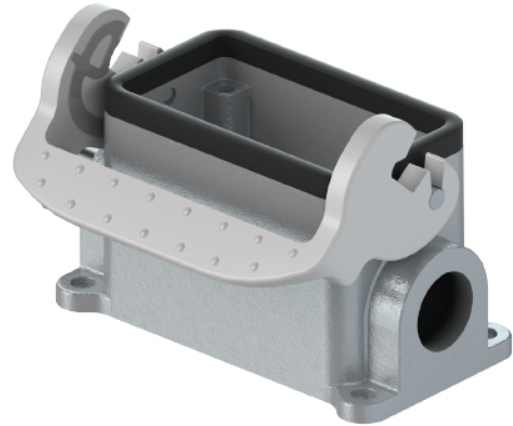


Data sheet

Commercial Art.No.: 70.331.0635.0

Bottom BAS GUT GM 6 M20 A0

Bottom-base revos basic made of aluminum, with single locking lever and cable gland M20 on the left side (IP54), low version, 6-polig



Commercial Art.No.	70.331.0635.0
EAN	4015573616387
Order Unit	1

Certificates / Approvals



Technical data

General

Housing material	aluminum
Color	Grey
Surface	With powder coating
Degree of protection (IP)	IP54
UV resistant	yes
Inflammability class of insulation material acc. with UL94	Other
Operating temperature range min.	-40 °C
Operating temperature range max.	120 °C

Model

Construction	6
Locking mechanism	Single locking lever
Cable entry	Sideways
Type of cable	Gland nut
With cable screw gland	yes
Thread size M	20
Thread size PG	
Hinged lid	No
EMC-version	No
Length	84 mm
Width	52 mm
Height	54.7 mm

Classification

ECLASS 11	
-----------	--

ECLASS 8.1	27440202
ETIM 7.0	EC000437
ETIM 6.0	EC000437
ETIM 5.0	EC000437
ETIM 4.0	EC000437
ETIM 3.0	EC000437

Product compliance

ROHS conformity status	Compliant/Exempted
ROHS exceptions	III-6(c)
REACH-SVHC conformity status	Duty-To-Declare
REACH-SVHC substances	Lead
REACH-SVHC CAS numbers	7439-92-1

Fits with

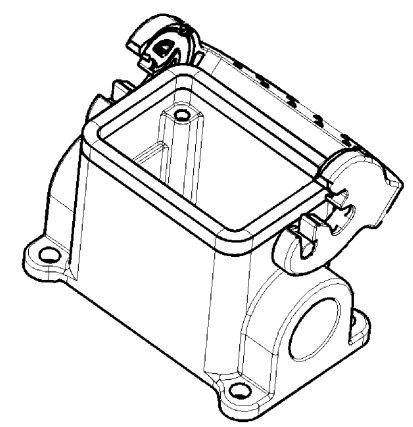
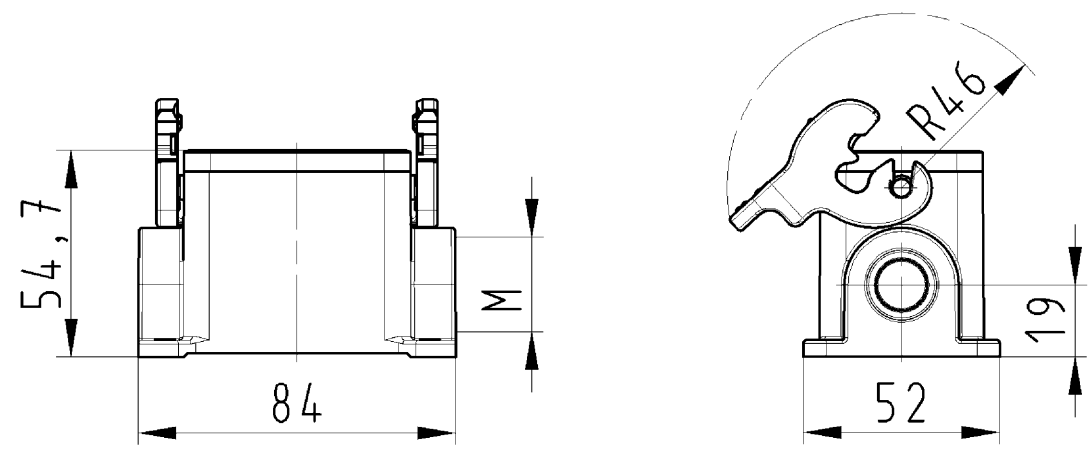
Commercial Art.No.:	Article-type description:	Description:
70.100.0653.3	Multipole adapter BAS BAS LL 6 4,0 50	Multipole adapter revos BASIC 500V/16A screw connection 6 pole + ground, long design, female insert, ground left
70.100.0653.4	Multipole adapter BAS BAS KL 6 4,0 50	Multipole adapter revos BASIC 500V/16A screw connection 6 pole + ground, short design, female insert, ground left
70.105.0653.3	Multipole adapter BAS BAS LR 6 4,0 50	Multipole adapter revos BASIC 500V/16A screw connection 6 pole + ground, long design, female insert, ground right
70.105.0653.4	Multipole adapter BAS BAS KR 6 4,0 50	Multipole adapter revos BASIC 500V/16A screw connection 6 pole + ground, short design, female insert, ground right
70.110.0653.3	Multipole adapter BAS SAS LL 6 4,0 50	Multipole adapter revos BASIC 500V/16A screw connection 6 pole + ground, long design, male insert, ground left
70.110.0653.4	Multipole adapter BAS SAS KL 6 4,0 50	Multipole adapter revos BASIC 500V/16A screw connection 6 pole + ground, short design, male insert, ground left
70.115.0653.3	Multipole adapter BAS SAS LR 6 4,0 50	Multipole adapter revos BASIC 500V/16A screw connection 6 pole + ground, long design, male insert, ground right
70.115.0653.4	Multipole adapter BAS SAS KR 6 4,0 50	Multipole adapter revos BASIC 500V/16A screw connection 6 pole + ground, short design, male insert, ground right
70.101.0653.0	Multipole adapter BAS BAF KL 6 2,5 50	Multipole adapter revos BASIC 500V/16A spring clamp connection 6 pole + ground, short design, female insert, ground left
70.106.0653.0	Multipole adapter BAS BAF KR 6 2,5 50	Multipole adapter revos BASIC 500V/16A spring clamp connection 6 pole + ground, short design, female insert, ground right
70.111.0653.0	Multipole adapter BAS SAF KL 6 2,5 50	Multipole adapter revos BASIC 500V/16A spring clamp connection 6 pole + ground, short design, male insert, ground left
70.116.0653.0	Multipole adapter BAS SAF KR 6 2,5 50	Multipole adapter revos BASIC 500V/16A spring clamp connection 6 pole + ground, short design, male insert, ground right
70.300.0602.0	Female insert BAS BUS 6 2,5 50 AG	Female insert revos basic, 6-poles, rated current: 16A, rated voltage: 500V, with silver-plated contacts
70.300.0640.0	Female insert BAS BUS 6 2,5 50	Female insert revos basic, 6-poles, rated current: 16A, rated voltage: 500V, with tin-plated contacts
70.301.0640.0	Female insert BAS BUS 6 2,5 50 AU	Female insert revos basic, 6-poles, rated current: 16A, rated voltage: 500V, with gold-plated contacts
70.302.0640.0	Female insert BAS BUS OD 6 2,5 50	Female insert revos basic, 6-poles, rated current: 16A, rated voltage: 500V, with tin-plated contacts
70.310.0602.0	Male insert BAS BUS OD 6 2,5 50	Female insert revos basic, 6-poles, rated current: 16A, rated voltage: 500V, with tin-plated contacts
70.310.0640.0	Male insert BAS STS 6 2,5 50	Male insert revos basic, 6-poles, rated current: 16A, rated voltage: 500V, with tin-plated contacts

70.311.0640.0	Male insert BAS STS 6 2,5 50 AU	Male insert revos basic, 6-poles, rated current: 16A, rated voltage: 500V, with gold-plated contacts
70.312.0640.0	Male insert BAS STS OD 6 2,5 50	Male insert revos basic, 6-poles, rated current: 16A, rated voltage: 500V, with tin-plated contacts
70.500.0653.0	Female insert BAS BUF 6 2,5 50	Female insert revos basic, 6-poles, rated current: 16A, rated voltage: 500V, with silver-plated contacts
70.510.0653.0	Male insert BAS STF 6 2,5 50	Male insert revos basic, 6-poles, rated current: 16A, rated voltage: 500V, with tin-plated contacts
70.700.0658.0	Female insert BAS BUC 6 50	Female insert revos basic, 6-poles, rated current: 16A, rated voltage: 500V, with tin-plated contacts
70.710.0658.0	Male insert BAS STC 6 50	Male insert revos basic, 6-poles, rated current: 16A, rated voltage: 500V, with tin-plated contacts
72.300.0653.0	Female insert BAS BUS 6 2,5 69	Female insert revos basic, 6-poles, rated current: 16A, rated voltage: 690V, with tin-plated contacts
72.310.0653.0	Male insert BAS STS 6 2,5 69	Male insert revos basic, 6-poles, rated current: 16A, rated voltage: 690V, with tin-plated contacts
72.700.0658.0	Female insert BAS BUC 6 69	Female insert revos basic, 6-poles, rated current: 16A, rated voltage: 690V, with tin-plated contacts
72.710.0658.0	Male insert BAS STC 6 69	Male insert revos basic, 6-poles, rated current: 16A, rated voltage: 690V, with tin-plated contacts
73.800.2453.0	Female insert DD BUC 24 1,5 25	revos DD 24 pole + ground, female insert 250V/10A, crimp connection
73.810.2453.0	Male insert DD STC 24 1,5 25	revos DD 24 pole + ground, male insert 250V/10A, crimp connection
70.405.0653.0	Female insert BAS BUP 6 2,5 50 AG	Female insert revos basic, 6-poles, rated current: 16A, rated voltage: 500V, with silver-plated contacts
70.415.0653.0	Male insert BAS STP 6 2,5 50 AG	Male insert revos basic, 6-poles, rated current: 16A, rated voltage: 500V, with silver-plated contacts
70.810.1056.0	Male insert BAS STCK 10 50 PC	Male insert revos basic, 10-poles, polycarbonate insert, rated current: 16A, rated voltage: 500V, with gold-plated or silver-plated contacts

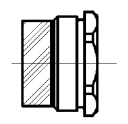
These dimensions will be especially checked at delivery
 Only inspection dimensions
 With ±E marked dimensions are only valid for internal use

Diese Maße werden bei Abnahme besonders geprüft
 Ausschließlich Prüfmaße
 Mit ±E gekennzeichnete Maße sind nur für interne Zwecke gültig

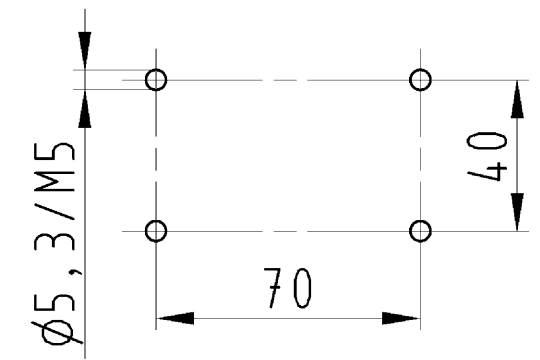
These dimensions will be especially checked at delivery
 Only inspection dimensions
 With ±E marked dimensions are only valid for internal use



Varianten/Variants
 .0



70.331.0635.1	BAS GUT GM 6 M25 A 1	Gewindebohrung /Thread hole	X
70.331.0635.0	BAS GUT GM 6 M25 A 0	Kabelverschraubung(KV), IP54 montiert /Cable gland(CG), IP54 assembled	
Bestellnummer /Order number	Typ /Type	Varianten /Variants	der-gestellt /drawn
Weitere Daten siehe KATALOG oder eKatalog. Additional data see CATALOG or eCatalog.		www.wieland-electric.com eshop.wieland-electric.com	



Bohrbild
 /Cut out

Tolerierung Size ISO 14405 (E) /Tolerance system Size ISO 14405 (E). (This ISO-standard describes the envelope principle. According to the envelope principle the deviations of form and parallelism are limited by the size tolerances).		ja/yes <input checked="" type="checkbox"/> Stoffverbots- und Deklarationsliste nach UU-TQM-05/03 ist einzuhalten. Conformity with Wieland document UU-TQM-05/03 (list of prohibited / declarable hazardous substances) to be declared!	
Freitoleranz nach General tolerance		CAD - Zeichnung, keine manuellen Änderungen CAD - drawing, no manual modifications allowed	1. Verwendung: - First Use:
Blatt: 1 von 1 Sheet: of 1		Zeichnung Nr./Drawing No. Index	
70.331.0635.0 13K		Maße in mm/Dimensions are in mm	
Werkstoff/Material Aluminium beschichtet/coated grau/grey		2013 gezeichnet/drawn 03.05. Treschan	Name
Maßstab/Scale 1:2		geprüft/checked	
Vol. mm³		Normgepr. Stand. check	
Ersatz für/Replacement for: -		Type Benennung/Titel	
wieland Elektrische Verbindungen		revos BASIC GEHAEUSEUNTERTEIL	
Index Datum / Blatt Date / Sheet		Baugröße 6-Kabelabgang 1x M20/M25 links Housing size 6-cable outlet 1x M20/M25 left	
Änderung/Revision			

Weitergabe sowie Vervielfältigung dieses Dokuments, Verwertung und Mitteilung seines Inhalts sind verboten, soweit nicht ausdrücklich gestattet.
 The reproduction, distribution and utilization of this document as well as the communication of its contents to others without express authorization is prohibited.

703310635013K_2 CADW/3028 Treschan 2013-09-2011-25/28 1.000