

# Quectel L76

## Compact GNSS Module

GNSS



EASY™ Technology



Ultra Low Power Consumption



Tiny Size



Super Tracking Sensitivity -165dBm



Extended Temperature Range -40°C to +85°C



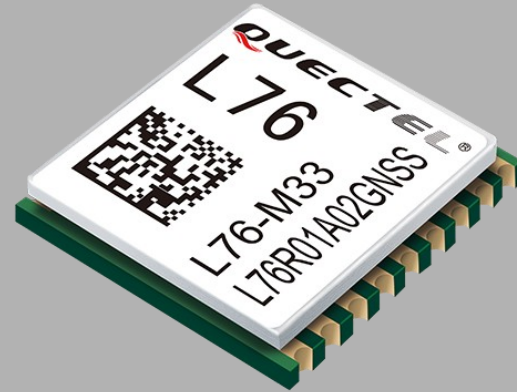
Anti-Jamming



RoHS Compliant



GLONASS+GPS+QZSS



### Key benefits

- Extremely compact size, 10.1 × 9.7 × 2.5mm
- Multi-GNSS engine for GPS, GLONASS and QZSS
- EASY™, self-generated orbit prediction for instant positioning fix
- AGPS supports for fast TTFF
- Ultra low tracking power consumption, 18mA
- Always Locate™, an intelligent algorithm for power saving
- LOCUS, innate logger solution with no need for host and external flash
- High sensitivity, -165dBm@Tracking, -148dBm@Acquisition
- 99 acquisition/33 tracking channels, up to 210PRN channels
- Support DGPS, SBAS(WAAS/EGNOS/MSAS/GAGAN)
- Anti-Jamming, Multi-tone Active Interference Canceller

L76, the smallest GNSS module, is a single receiver module integrated GLONASS with GPS system. It provides simultaneous GPS and Compass GLONASS open service L1 reception capability. With 33 tracking channels, 99 acquisition channels, and 210 PRN channels, L76 can acquire and track any mix of GPS and GLONASS signals.

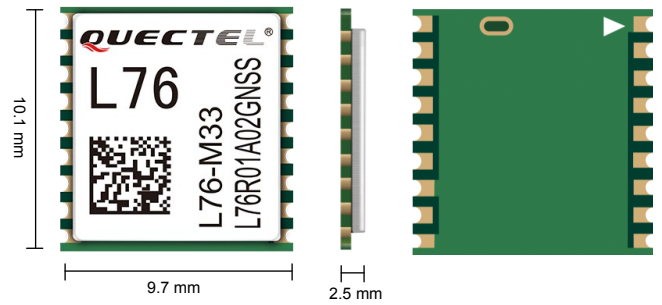
Compared with using GPS only, enabling both GPS and GLONASS generally doubles the number of visible satellites, reduces the time to first fix and increases positioning accuracy, especially when driving in rough urban environments.

Combining advanced AGPS called EASY™ (Embedded Assist System) and proven AlwaysLocate™ technology, L76 achieves the highest performance and fully meets the industrial standard. Additional feature of embedded logger function called LOCUS allows L76 to log position information to internal flash memory at default intervals of 15 seconds and provide typically more than 16 hours log capacity without adding cost.

Its super performance makes L76 ideal for automotive, industrial PDA, consumer and industry applications. Extremely low power consumption makes it easier to be applied to power sensitive devices, especially portable applications.

# Quectel L76

## Compact GNSS Module



### General Specifications

<b>L1 Band Receiver (1575.42MHz)</b>	Channel	33 (Tracking) / 99 (Acquisition) Up to 210(PRN)
	C/A Code	
	SBAS	WAAS, EGNOS MSAS, GAGAN
<b>Horizontal Position Accuracy</b>	Autonomous	<2.5 m CEP
<b>Velocity Accuracy</b>	Without Aid	<0.1m/s
<b>Acceleration Accuracy</b>	Without Aid	0.1m/s <sup>2</sup>
<b>Timing Accuracy</b>	1PPS Out	10ns
<b>Reacquisition Time</b>		<1s
<b>TTFF@-130dBm with EASY™</b>	Cold Start	<15s
	Warm Start	<5s
	Hot Start	<1s
<b>TTFF@-130dBm without EASY™</b>	Cold Start	<35s
	Warm Start	<30s
	Hot Start	<1s
<b>Sensitivity</b>	Acquisition	-148dBm
	Tracking	-165dBm
	Reacquisition	-160dBm
<b>Environmental</b>	Operating Temperature	-40°C to 85°C
	Storage Temperature	-45°C to 125°C
<b>Dynamic Performance</b>	Maximum Altitude	Max.18000m
	Maximum Velocity	Max.515m/s
	Maximum Acceleration	4G
<b>Dimensions</b>	10.1 x 9.7 x 2.5mm	
<b>Weight</b>	Approx. 0.6g	

### Power Management

<b>Power Supply</b>	2.8V ~ 4.3V
<b>Power Acquisition</b>	25mA(GPS+GLONASS) 21mA(GPS)
<b>Power Tracking</b>	18mA(GPS+GLONASS) 15mA(GPS)
<b>Power Saving</b>	Typ.2.6mA @AlwaysLocate™(Note1) 7uA@Backup Mode 500uA@Standby Mode Periodic Mode
<b>Antenna Type</b>	Active or Passive
<b>Antenna Power</b>	External or Internal VCC_RF

Note1: Measured in GPS+GLONASS system under outdoor static mode.

### Serial Interfaces

<b>Serial Interfaces</b>	UART: Adjustable 4800~115200 bps Default: 9600bps
<b>Update rate</b>	1Hz (default), up to10Hz
<b>I/O Voltage</b>	2.7V ~ 2.9V
<b>Protocols</b>	NMEA 0183 PMTK

# L76 Series

# Hardware Design

**GNSS Module Series**

Rev. L76\_Series\_Hardware\_Design\_V2.0

Date: 2014-08-28



**Our aim is to provide customers with timely and comprehensive service. For any assistance, please contact our company headquarters:**

**Quectel Wireless Solutions Co., Ltd.**

Office 501, Building 13, No.99, Tianzhou Road, Shanghai, China, 200233

Tel: +86 21 5108 6236

Mail:[info@quectel.com](mailto:info@quectel.com)

**Or our local office, for more information, please visit:**

<http://www.quectel.com/support/salesupport.aspx>

**For technical support, to report documentation errors, please visit:**

<http://www.quectel.com/support/techsupport.aspx>

**GENERAL NOTES**

QUECTEL OFFERS THIS INFORMATION AS A SERVICE TO ITS CUSTOMERS. THE INFORMATION PROVIDED IS BASED UPON CUSTOMERS' REQUIREMENTS. QUECTEL MAKES EVERY EFFORT TO ENSURE THE QUALITY OF THE INFORMATION IT MAKES AVAILABLE. QUECTEL DOES NOT MAKE ANY WARRANTY AS TO THE INFORMATION CONTAINED HEREIN, AND DOES NOT ACCEPT ANY LIABILITY FOR ANY INJURY, LOSS OR DAMAGE OF ANY KIND INCURRED BY USE OF OR RELIANCE UPON THE INFORMATION. ALL INFORMATION SUPPLIED HEREIN IS SUBJECT TO CHANGE WITHOUT PRIOR NOTICE.

**COPYRIGHT**

THIS INFORMATION CONTAINED HERE IS PROPRIETARY TECHNICAL INFORMATION OF QUECTEL CO., LTD. TRANSMITTABLE, REPRODUCTION, DISSEMINATION AND EDITING OF THIS DOCUMENT AS WELL AS UTILIZATION OF THIS CONTENTS ARE FORBIDDEN WITHOUT PERMISSION. OFFENDERS WILL BE HELD LIABLE FOR PAYMENT OF DAMAGES. ALL RIGHTS ARE RESERVED IN THE EVENT OF A PATENT GRANT OR REGISTRATION OF A UTILITY MODEL OR DESIGN.

***Copyright © Quectel Wireless Solutions Co., Ltd. 2014. All rights reserved.***

# About the Document

## History

Revision	Date	Author	Description
1.0	2013-02-08	Ray XU	Initial
1.1	2013-03-21	Ray XU	<ol style="list-style-type: none"><li>Deleted PMTK 291 command.</li><li>Changed R3 to 100R in figure 17.</li><li>Updated chapter 2.4.</li><li>Changed typical voltage of V_BCKP to 3.3V.</li></ol>
1.2	2014-05-10	Tony GAO	<ol style="list-style-type: none"><li>Modified the input power at RF_IN.</li><li>Changed the tracking sensitivity to -165dBm.</li></ol>
1.3	2014-06-11	Ray XU	Updated packaging information.
2.0	2014-08-28	Tony GAO	<ol style="list-style-type: none"><li>Added the L76B module.</li><li>Added the description of power supply requirement.</li></ol>

## Contents

About the Document.....	2
Contents.....	3
Table Index.....	5
Figure Index.....	6
<b>1 Introduction.....</b>	<b>7</b>
<b>2 Product Concept.....</b>	<b>8</b>
2.1. General Description.....	8
2.2. Key Features.....	9
2.3. Block Diagram.....	10
2.4. Evaluation Board.....	11
2.5. Supported Protocols.....	11
<b>3 Application.....</b>	<b>12</b>
3.1. Pin Assignment.....	12
3.2. Pin Definition.....	12
3.3. Power Supply.....	14
3.4. Operating Mode.....	15
3.4.1. Full On Mode.....	16
3.4.2. Standby Mode.....	17
3.4.3. Backup Mode.....	18
3.4.4. Period Mode.....	19
3.4.5. AlwaysLocate™ Mode.....	21
3.5. Reset.....	22
3.6. UART Interface.....	23
3.7. EASY Technology.....	25
3.8. Multi-tone AIC.....	25
3.9. ANTON.....	26
3.10. LOCUS.....	26
<b>4 Antenna Interface.....</b>	<b>27</b>
4.1. Antenna Specification.....	27
4.2. Recommended Circuit for Antenna.....	28
4.2.1. Active Antenna.....	28
4.2.1.1. Active Antenna without ANTON.....	28
4.2.1.2. Active Antenna with ANTON.....	29
4.2.2. Passive Antenna.....	30
4.2.2.1. Passive Antenna without External LNA.....	30
4.2.2.2. Passive Antenna with External LNA.....	31
<b>5 Electrical, Reliability and Radio Characteristics.....</b>	<b>32</b>
5.1. Absolute Maximum Ratings.....	32
5.2. Operating Conditions.....	33

---

5.3.	Current Consumption .....	33
5.4.	Reliability Test .....	34
<b>6</b>	<b>Mechanics.....</b>	<b>35</b>
6.1.	Mechanical View of the Module .....	35
6.2.	Bottom Dimension and Recommended Footprint.....	36
6.3.	Top View of the Module .....	37
6.4.	Bottom View of the Module .....	37
<b>7</b>	<b>Manufacturing .....</b>	<b>38</b>
7.1.	Assembly and Soldering .....	38
7.2.	Moisture Sensitivity .....	39
7.3.	ESD Protection .....	39
7.4.	Tape and Reel .....	40
7.5.	Ordering Information .....	40
<b>8</b>	<b>Appendix Reference .....</b>	<b>41</b>

Quectel  
Confidential

## Table Index

TABLE 1: L76 SERIES PRODUCTS .....	7
TABLE 2: FEATURE .....	9
TABLE 3: THE PROTOCOL SUPPORTED BY THE MODULE .....	11
TABLE 4: PIN DESCRIPTION .....	12
TABLE 5: MODULE STATE SWITCH.....	15
TABLE 6: DEFAULT CONFIGURATION.....	16
TABLE 7: PMTK COMMAND FORMAT .....	19
TABLE 8: RECOMMENDED ANTENNA SPECIFICATION .....	27
TABLE 9: ABSOLUTE MAXIMUM RATINGS .....	32
TABLE 10: THE MODULE POWER SUPPLY RATINGS .....	33
TABLE 11: THE MODULE CURRENT CONSUMPTION .....	33
TABLE 12: RELIABILITY TEST .....	34
TABLE 13: REEL PACKING .....	40
TABLE 14: ORDERING INFORMATION .....	40
TABLE 15: RELATED DOCUMENTS .....	41
TABLE 16: TERMS AND ABBREVIATIONS .....	41

Quectel  
Confidential



## Figure Index

FIGURE 1: BLOCK DIAGRAM .....	10
FIGURE 2: PIN ASSIGNMENT .....	12
FIGURE 3: INTERNAL POWER CONSTRUCTION.....	15
FIGURE 4: RTC SUPPLY FROM NON-CHARGEABLE BATTERY.....	18
FIGURE 5: REFERENCE CHARGING CIRCUIT FOR CHARGEABLE BATTERY.....	19
FIGURE 6: PERIOD TIMING.....	21
FIGURE 7: ALWAYSLOCATE™ MODE.....	22
FIGURE 8: REFERENCE RESET CIRCUIT USING OC CIRCUIT.....	23
FIGURE 9: MODULE TIMING .....	23
FIGURE 10: CONNECTION OF SERIAL INTERFACES .....	24
FIGURE 11: RS-232 LEVEL SHIFT CIRCUIT .....	24
FIGURE 12: REFERENCE DESIGN WITH ACTIVE ANTENNA.....	28
FIGURE 13: REFERENCE DESIGN FOR ACTIVE ANTENNA WITH ANTON.....	29
FIGURE 14: REFERENCE DESIGN WITH PASSIVE ANTENNA .....	30
FIGURE 15: REFERENCE DESIGN FOR PASSIVE ANTENNA WITH LNA.....	31
FIGURE 16: TOP VIEW AND SIDE VIEW (UNIT: MM).....	35
FIGURE 17: BOTTOM DIMENSION (UNIT: MM).....	36
FIGURE 18: FOOTPRINT OF RECOMMENDATION (UNIT: MM).....	36
FIGURE 19: TOP VIEW OF THE MODULE .....	37
FIGURE 20: BOTTOM VIEW OF THE MODULE.....	37
FIGURE 21: RAMP-SOAK-SPIKE-REFLOW OF FURNACE TEMPERATURE .....	38
FIGURE 22: TAPE AND REEL SPECIFICATION.....	40

# 1 Introduction

This document defines and specifies L76 series GNSS module. It describes L76 series module hardware interface and its external application reference circuits, mechanical size and air interface.

This document can help you quickly understand the interface specifications, electrical and mechanical details of L76 series module. We also offer you other documents such as L76/L76B protocol specification and user guide. These documents can ensure you use L76 series module to design and set up mobile applications quickly.

L76 series module contains two variants: L76 & L76B. You can choose the dedicated type base on your requirement. The following table shows the entire models of L76 series.

**Table 1: L76 Series Products**

Module	GPS	GLONASS	BeiDou
L76	√	√	
L76B	√		√

# 2 Product Concept

## 2.1. General Description

L76 series module is a single receiver module integrated with GLONASS/BeiDou and GPS system. It is able to achieve the industry's highest level of sensitivity, accuracy and TTFF with the lowest power consumption in a small-footprint lead-free package. The embedded flash memory provides capacity for storing user-specific configurations and allows for future updates.

The L76 series module supports multiple positions and navigation system including autonomous GPS, GLONASS, BeiDou, SBAS (including WAAS, EGNOS, MSAS and GAGAN), QZSS, and AGPS.

Embedded with many advanced power saving modes including period, AlwaysLocate™, standby and backup, L76 series module has excellent low-power consumption in different scenes.

EASY technology as the key feature of L76 series module is one kind of AGPS. Collecting and processing all internal aiding information like GPS time, Ephemeris, Last Position etc., the GNSS module will have a fast TTFF in either Hot or Warm start.

L76 series module is an SMD type module with the compact 10.1mm × 9.7mm × 2.5mm form factor, which can be embedded in your applications through the 18-pin pads. It provides necessary hardware interfaces between the module and your board.

The module is fully ROHS compliant to EU regulation.

## 2.2. Key Features

Table 2: Feature

Feature	Implementation
GNSS	<ul style="list-style-type: none"> <li>● GPS+GLONASS @L76</li> <li>● GPS+BeiDou @L76B</li> </ul>
Power Supply	<ul style="list-style-type: none"> <li>● Supply voltage: 2.8V~4.3V typical: 3.3V</li> </ul>
Power Consumption	<ul style="list-style-type: none"> <li>● Acquisition: 21mA @-130dBm (GPS)</li> <li>● Tracking: 15mA @-130dBm (GPS)</li> <li>● Acquisition: 25mA @-130dBm (GPS+GLONASS)</li> <li>● Tracking: 18mA @-130dBm (GPS+GLONASS)</li> <li>● Acquisition: 23mA @-130dBm (GPS+BeiDou)</li> <li>● Tracking: 18mA @-130dBm (GPS+BeiDou)</li> </ul>
Receiver Type	<ul style="list-style-type: none"> <li>● GPS L1 1575.42MHz C/A Code</li> <li>● GLONASS L1 1598.0625~1605.375 C/A Code</li> <li>● BeiDou B1 1561.098MHz C/A Code</li> </ul>
Sensitivity GPS+GLONASS (NOTE)	<ul style="list-style-type: none"> <li>● Acquisition: -148dBm</li> <li>● Reacquisition: -160dBm</li> <li>● Tracking: -165dBm</li> </ul>
Sensitivity GPS+BeiDou (NOTE)	<ul style="list-style-type: none"> <li>● Acquisition: -148dBm</li> <li>● Reacquisition: -160dBm</li> <li>● Tracking: -163dBm</li> </ul>
Time-To-First-Fix (EASY Enabled)	<ul style="list-style-type: none"> <li>● Cold Start: &lt;15s average @-130dBm</li> <li>● Warm Start: &lt;5s average @-130dBm</li> <li>● Hot Start: 1s @-130dBm</li> </ul>
Time-To-First-Fix (EASY Disabled)	<ul style="list-style-type: none"> <li>● Cold Start (Autonomous): &lt;35s average @-130dBm</li> <li>● Warm Start (Autonomous): &lt;30s average @-130dBm</li> <li>● Hot Start (Autonomous): 1s @-130dBm</li> </ul>
Horizontal Position Accuracy (Autonomous)	<ul style="list-style-type: none"> <li>● &lt;2.5 m CEP @-130dBm</li> </ul>
Update Rate	<ul style="list-style-type: none"> <li>● Up to 10Hz, 1Hz by default</li> </ul>
Accuracy of 1PPS Signal	<ul style="list-style-type: none"> <li>● Typical accuracy &lt;15ns (Not support timeservice)</li> <li>● Time pulse width 100ms</li> </ul>
Velocity Accuracy	<ul style="list-style-type: none"> <li>● Without aid: 0.1m/s</li> </ul>
Acceleration Accuracy	<ul style="list-style-type: none"> <li>● Without aid: 0.1m/s<sup>2</sup></li> </ul>
Dynamic Performance	<ul style="list-style-type: none"> <li>● Maximum Altitude: 18,000m</li> <li>● Maximum Velocity: 515m/s Maximum</li> <li>● Acceleration: 4G</li> </ul>

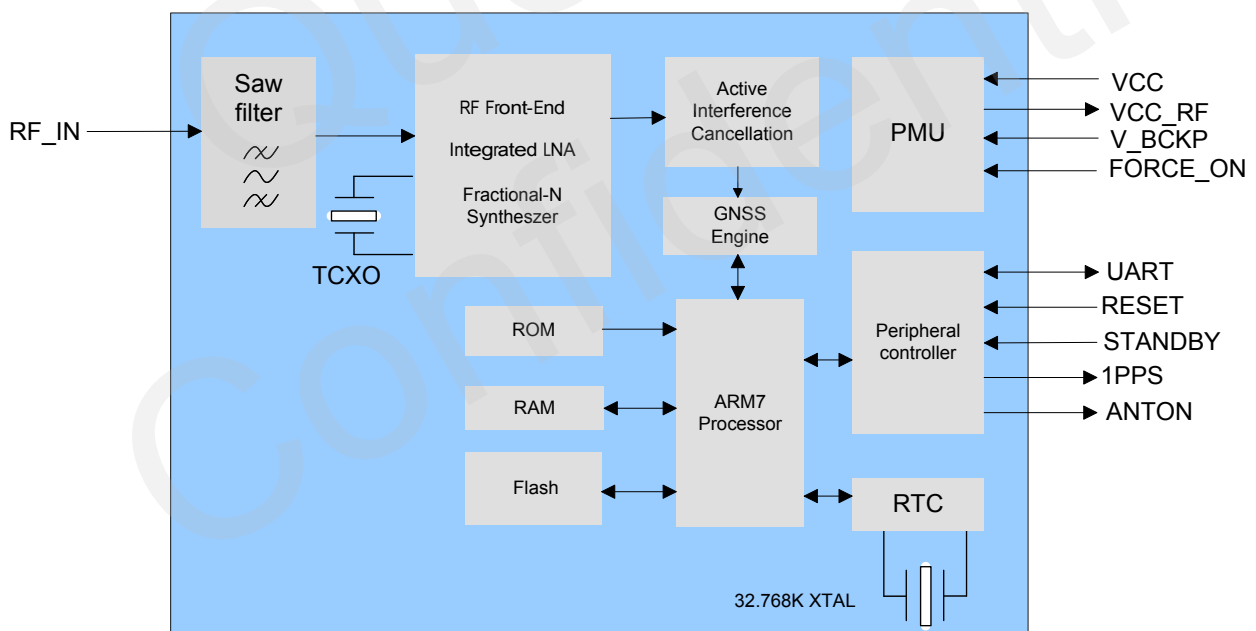
UART Port	<ul style="list-style-type: none"> <li>● UART port: TXD1 and RXD1</li> <li>● Supports baud rate from 4800bps to 115200bps, 9600bps by default</li> <li>● UART Port is used for NMEA output, MTK proprietary messages input and firmware upgrade</li> </ul>
Temperature Range	<ul style="list-style-type: none"> <li>● Normal operation: -45°C ~ +85°C</li> <li>● Storage temperature: -45°C ~ +125°C</li> </ul>
Physical Characteristics	<ul style="list-style-type: none"> <li>● Size: 10.1±0.15 × 9.7±0.15 × 2.5±0.15mm</li> <li>● Weight: Approx. 0.6g</li> </ul>

**NOTE**

The sensitivity is measured with passive antenna but without external LNA. It might be higher by about 3dB with external LNA or only with active antenna.

### 2.3. Block Diagram

The following figure shows a block diagram of L76 series module. It consists of a single chip GNSS IC which includes RF part and Baseband part, a SAW filter, a TCXO and a crystal oscillator.



**Figure 1: Block Diagram**

## 2.4. Evaluation Board

In order to help you use L76 series module on your applications, Quectel supplies an Evaluation Board (EVB) with Micro-USB cable, active antenna and other peripherals to test the module.

For more details, please refer to the **document [1]**.

## 2.5. Supported Protocols

**Table 3: The Protocol Supported by the Module**

Protocol	Type
NMEA	Input/output, ASCII, 0183, 4.0
PMTK	Input, MTK proprietary protocol

**NOTE**

Please refer to **document [2] & [3]** about NMEA standard protocol about MTK proprietary protocol.

# 3 Application

The module is equipped with an 18-pin 1.1mm pitch SMT pad that connects to your application platform. Sub-interfaces included in these pads are described in details in the following chapters.

## 3.1. Pin Assignment



Figure 2: Pin Assignment

## 3.2. Pin Definition

Table 4: Pin Description

Power Supply					
Pin Name	Pin No.	I/O	Description	DC Characteristics	Comment
VCC	8	I	Main power supply	Vmax=4.3V Vmin=2.8V Vnom=3.3V	Assure load current no less than 150mA.
V_BCKP	6	I	Backup power	Vmax=4.5V	Supply power for RTC

			supply	Vmin=1.5V Vnom=3.3V I <sub>V_BCKP</sub> =7uA @Backup mode	domain when VCC is powered off.
VCC_RF	14	O	Supply Power for external RF component	Vmax=4.3V Vmin=2.8V Vnom=3.3V	Usually supply power for external active antenna or LNA. If unused, keep this pin open. VCC_RF≈VCC

### Reset

Pin Name	Pin No.	I/O	Description	DC Characteristics	Comment
RESET	9	I	System reset	VILmin=-0.3V VILmax=0.7V VIHmin=2.1V VIHmax= 3.1V	It is low level active. If unused, keep this pin open or connect it to VCC.

### UART Port

Pin Name	Pin No.	I/O	Description	DC Characteristics	Comment
RXD1	3	I	Receive data	VILmin=-0.3V VILmax=0.7V VIHmin=2.1V VIHmax=3.1V	
TXD1	2	O	Transmit data	VOLmax=0.42V VOHmin=2.4V VOHnom=2.8V	

### RF Interface

Pin Name	Pin No.	I/O	Description	DC Characteristics	Comment
RF_IN	11	I	RF signal input	Characteristic impedance of 50Ω	Refer to chapter 4

### Other Interface

Pin Name	Pin No.	I/O	Description	DC Characteristics	Comment
ANTON	13	O	External LNA control pin and active antenna power control pin in power save mode	VOLmax=0.42V VOHmin=2.4V VOHnom=2.8V	If unused, keep this pin open.
STANDBY	5	I	Used to enter into or exit from standby mode	VILmin=-0.3V VILmax=0.7V VIHmin=2.1V	It is pulled up internally. It is edge-triggered. If unused, keep this pin



				VIHmax=3.1V	open.
1PPS	4	O	One pulse per second	VOLmax=0.42V VOHmin=2.4V VOHnom=2.8V	Synchronized at rising edge, the pulse width is 100ms. If unused, keep this pin open.
FORCE_ON	18	I	Logic high will force module to be waked up from backup mode	VILmin=-0.3V VILmax=0.7V VIHmin=2.1V VIHmax=3.1V	Keep this pin open or pulled low before entering into backup mode. It belongs to RTC domain. If unused, keep this pin open.
RESERVED	16,17				Keep these pins open.

### 3.3. Power Supply

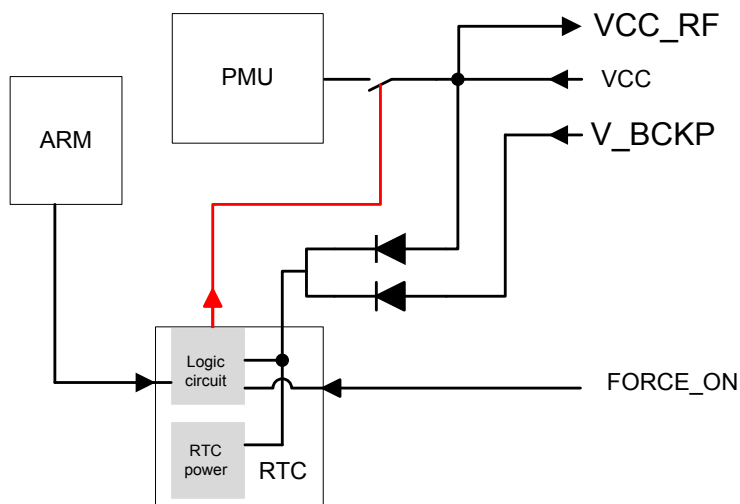
VCC pin supplies power for BB, RF, I/O and RTC domain. The load current of VCC pin varies according to the VCC level, processor load and satellite acquisition. Typical VCC peak current is 40mA (typ.) during GPS acquisition after power up. So it is important to supply sufficient current and make the power clean and stable. Meanwhile, you should choose the LDO without built-in output high-speed discharge function to keep long output voltage drop-down period. The decouple combination of 10uF and 100nF capacitor is recommended nearby VCC pin.

The V\_BCKP pin supplies power for RTC domain. A cell battery with the combination of 4.7uF and 100nF capacitor is recommended nearby V\_BCKP pin. The voltage of RTC domain ranges from 1.5V to 4.5V. In order to achieve a better Time To First Fix (TTFF), RTC domain should be valid all the time. It can supply power for SRAM memory in RTC domain which contains all the necessary GPS information for quick start-up and a small amount of user configuration variables.

The module's internal power construction is shown as below.

VCC pin not only supplies power for PMU but also for VCC\_RF and RTC domain. V\_BCKP supplies power for RTC domain only. The two diodes in following figure construct an OR gate supply power for RTC domain. FORCE\_ON pin belongs to RTC domain. The signal which has been shown as red line in the following diagram can open and close the switch. The following action will close and open the switch:

- The switch will be closed by default when VCC is supplied power (VCC off → on).
- Based on above step, FORCE\_ON open or low and sending PMTK command can open the switch (full on → backup).
- Based on above step, FORCE\_ON logic high can close the switch (backup → full on).



**Figure 3: Internal Power Construction**

**NOTE**

1. The sleep time in period backup mode and AlwaysLocate™ backup mode equals to the time in backup mode.
2. Please choose one voltage source without built-in output high speed discharge function, and confirm the voltage drop down curve to keep long output voltage drop down period. Meanwhile, make sure the output voltage drop time is greater than 100ms (from 2.7V to 0.5V).
3. It's strongly recommended to use external LDOs without output discharge function to keep long output voltage drop-down period.
4. Please refer to **document [6]** about GNSS module power supply for more details.

### 3.4. Operating Mode

The table below briefly illustrates the relationship among different operating modes of L76 series module.

**Table 5: Module State Switch**

Current Mode	Next Mode				
	Backup	Standby	Full on	Period	Always Locate
Backup	N/A	N/A	Refer to <b>chapter 3.4.3</b>	N/A	N/A
Standby	N/A	N/A	Pull STANDBY high Send any data via UART1	N/A	N/A

Full on	Refer to <b>chapter 3.4.3</b>	Pull STANDBY low PMTK161	N/A	PMTK 225	PMTK225
Period	N/A	N/A	Refer to <b>chapter 3.4.4</b>	N/A	N/A
Always locate	N/A	N/A	Refer to <b>chapter 3.4.5</b>	N/A	N/A

**NOTE**

Please refer to **document [2] & [3]** about MTK proprietary protocol for more details.

### 3.4.1. Full On Mode

Full on mode includes tracking mode and acquisition mode. Acquisition mode is defined as the module starts to search satellites, determine visible satellites and coarse carrier frequency and code phase of satellite signals. When the acquisition is completed, it switches to tracking mode automatically. Tracking mode is defined as the module tracks satellites and demodulates the navigation data from the specific satellites.

Whether the combination of VCC and V\_BCKP pins is valid or VCC is valid, the module will enter into full on mode automatically and follow the default configuration as below. You can refer to **chapter 3.3** about internal power construction to have a good comprehension. You also can use PMTK commands to change the configuration to satisfy the requirement.

**Table 6: Default Configuration**

Item	Configuration	Comment
Baud Rate	9600bps	
Protocol	NMEA	RMC, VTG, GGA, GSA, GSV and GLL
Update Rate	1Hz	
SBAS	Enable	
AIC	Enable	
LOCUS	Disable	
Easy Technology	Enable	EASY will be disabled automatically when update rate exceeds 1Hz.
GNSS	GPS+GLONASS @L76 GPS+BeiDou @L76B	

In full on mode, the consumption will comply with the following regulation:

When the module is powered on, the average current will rush to 40mA and it will last a few seconds, then the consumption will be decreased to acquisition current marked in **table 1** and we defined this state as acquisition state, also it will last several minutes until it switches to tracking state automatically. The consumption in tracking state is less than acquisition. The value is also listed in **table 1**.

Using PMTK commands can switch among multiple position system:

- \$PMTK353,1,0,0,0,1\*2B: search GPS and BDS satellites ,default setting
- \$PMTK353,1,0,0,0,0\*2A: search GPS satellites only
- \$PMTK353,0,0,0,0,1\*2A: search BDS satellites only

### 3.4.2. Standby Mode

Standby mode is a low-power consumption mode. In standby mode, the internal core and I/O power domain are still active, but RF and TCXO are powered off, the module stops satellites search and navigation. UART1 is still accessible like PMTK commands or any other data, but there is no NMEA messages output.

There are two ways to enter into standby mode and exit from standby mode:

- **Using STANDBY pin:** Pulling STANDBY low will make the GNSS module to enter into standby mode and releasing STANDBY which has been pulled high internally will make the module back to full on mode. Note that pulling down STANDBY pin to ground will cause the extra current consumption which makes the typical standby current reach to about 600uA @VCC=3.3V.
- **Using PMTK command:** Sending PMTK command "\$PMTK161,0\*28" will enter into standby mode. Sending any data via UART1 will make the module exiting from standby mode as UART1 is still accessible in standby mode. When the module exit from standby mode, it will use all internal aiding information like GPS time, Ephemeris, Last Position etc., resulting to a fastest possible TTFF in either Hot or Warm start. The typical current consumption in this way is about 500uA @VCC=3.3V in standby mode.

#### NOTE

Setting the customer's GPIO which control STANDBY pin as input is recommended before turning on the module to avoid entering into standby mode unexpectedly during starting the module due to its edge-triggered characteristics, after that, customer can reset the GPIO as output to control the STANDBY pin. If it is unused, keep it open.

### 3.4.3. Backup Mode

Backup mode is a lower power consumption mode than standby mode. In this mode, the module stops to acquire and track satellites. UART1 is not accessible. But the backed-up memory in RTC domain which contains all the necessary GNSS information for quick start-up and a small amount of user configuration variables is alive. Due to the backed-up memory, easy technology is available. The typical consumption in this mode is about 7uA.

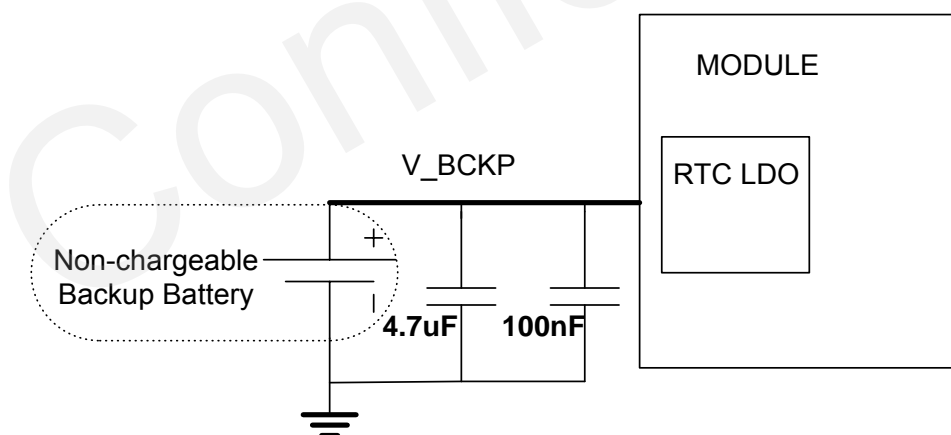
There are two ways to enter into backup mode and back to full on mode:

- Send command: "\$PMTK225,4\*2F" (the red line open the switch in Figure 3) to enter into backup mode forever. The only way to wake up the module is pulling the FORCE\_ON high (the red line closes the switch in Figure 3).
- Cutting off VCC and V\_BCKP present will make the module to enter into backup mode from full on mode. As long as the VCC pin is supplied power, the module will enter into full on mode immediately. But this method is not recommended.

#### NOTE

Keep FORCE\_ON pin open or low before entering into backup mode or it is not available.

To have a good comprehension, please refer to **chapter 3.3** about internal power construction. The V\_BCKP pin can be directly provided by an external capacitor or battery (rechargeable or non-chargeable). Please refer to the following figure for RTC backup reference design.



**Figure 4: RTC Supply from Non-chargeable Battery**

The V\_BCKP pin does not support charging function for rechargeable battery. It is necessary to add a charging circuit for rechargeable battery.

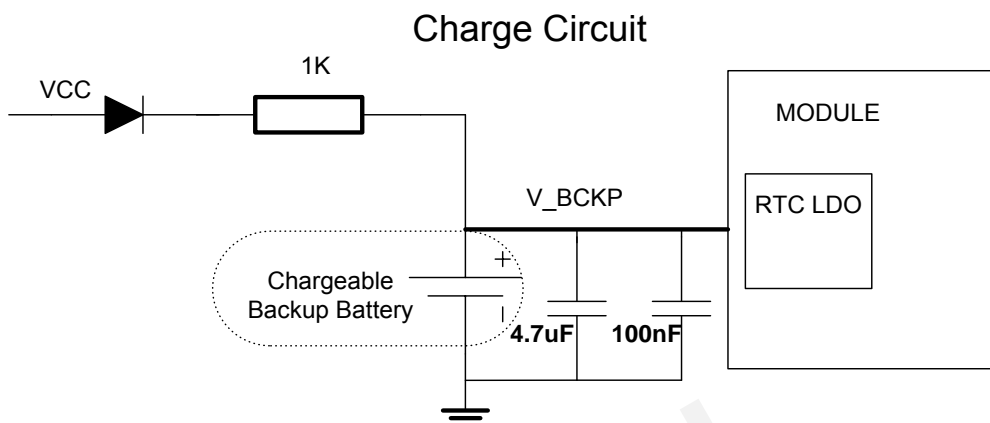


Figure 5: Reference Charging Circuit for Chargeable Battery

Coin-type Rechargeable Capacitor from Seiko (<http://www.sii.co.jp/en/>) can be used and Schottky diode from ON Semiconductor (<http://www.onsemi.com/>) is recommended to be used here for its low voltage drop.

### 3.4.4. Period Mode

Period mode is a mode that can control the full on mode and standby/backup mode periodically to reduce power consumption. It contains Period standby mode and Period backup mode.

The format of the command which enters into period mode is as following:

Table 7: PMTK Command Format

Parameter	Format	Description
<b>Format:</b> \$PMTK225,<Type>,<Run_time>,<Sleep_time>,<2nd_run_time>,<2nd_sleep_time>*<checksum> <CR><LF>		
Type	Decimal	<b>Type=1</b> for Period Backup Mode <b>Type=2</b> for Period Standby Mode
Run_time	Decimal	<b>Run_time</b> =Full on period (ms)
Sleep_time	Decimal	<b>Sleep_time</b> =Standby/Backup period (ms)
2nd_run_time	Decimal	<b>2nd_run_time</b> =Full on period (ms) for extended acquisition in case module's acquisition fails during the

		Run_time
<b>2nd_sleep_time</b>	Decimal	<b>2nd_sleep_time</b> =Standby/Backup period (ms) for extended sleep in case module's acquisition fails during the <b>Run_time</b>
<b>Checksum</b>	Hexadecimal	Hexadecimal checksum

Example:

```
$PMTK225,2,3000,12000,18000,72000*15<CR><LF>
```

```
$PMTK225,1,3000,12000,18000,72000*16<CR><LF>
```

Sending "\$PMTK225,0\*2B" in any time will make the module to full on mode from Period standby mode

Pulling the FORCE\_ON high and sending "\$PMTK225,0\*2B" immediately will make the module to full on mode from Period backup mode.

Sending "\$PMTK225,0\*2B" in **Run\_time** or **2nd\_run\_time** will also make the module to full on mode from Period backup mode, but it is hard to operate and not recommended.

#### NOTES

1. Setting the customer's GPIO which control STANDBY pin as input is recommended before turning on the module to avoid entering into standby mode unexpectedly during starting the module due to its edge-triggered characteristics, after that, customer can reset the GPIO as output to control the STANDBY pin. If it is unused, keep it open.
2. Keep FORCE\_ON pin open or low before entering into period backup mode or it is not available.

The following figure has shown the operation of period mode. When you send PMTK command, the module will be in the full on mode firstly. After several minute, the module will enter into the period mode and follow the parameters set by you. When the module fails to fix the position in **run time**, the module will switch to second run and sleep time automatically. As long as the module fixes the position again, the module will return to first run and sleep time.

Note that before entering into period mode, assure the module is in the tracking mode; otherwise the module will have a risk of failure to track the satellite. If GNSS module is located in weak signal environment, it is better to set the longer second run time to ensure the success of reacquisition.

The average current value can be calculated by the following formula:

$$I_{\text{period}} = (I_{\text{tracking}} * T1 + I_{\text{standby/backup}} * T2) / (T1 + T2) \quad T1: \text{Run time}, T2: \text{Sleep time}$$

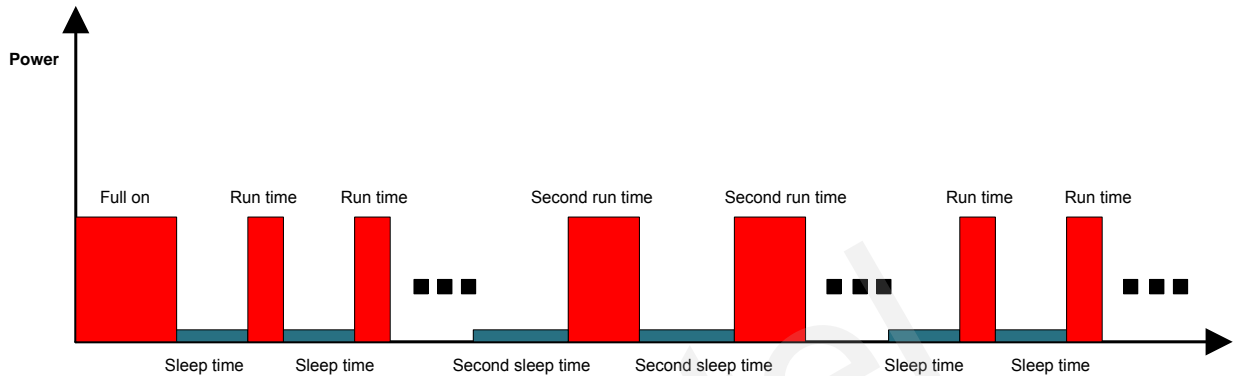
Example:

PMTK225,2,3000,12000,18000,72000\*15 for period mode with 3s in tracking mode and 12s in standby mode based on GPS&GLONASS. The average current consumption is calculated below:

$$I_{\text{period}} = (I_{\text{tracking}} \cdot T1 + I_{\text{standby}} \cdot T2) / (T1 + T2) = (18\text{mA} \cdot 3\text{s} + 0.5\text{mA} \cdot 12\text{s}) / (3\text{s} + 12\text{s}) \approx 4.0(\text{mA})$$

PMTK225,1,3000,12000,18000,72000\*16 for period mode with 3s in tracking mode and 12s in backup mode based on GPS&GLONASS. The average current consumption is calculated below:

$$I_{\text{period}} = (I_{\text{tracking}} \cdot T1 + I_{\text{backup}} \cdot T2) / (T1 + T2) = (18\text{mA} \cdot 3\text{s} + 0.007\text{mA} \cdot 12\text{s}) / (3\text{s} + 12\text{s}) \approx 3.6(\text{mA})$$



**Figure 6: Period Timing**

### 3.4.5. AlwaysLocate™ Mode

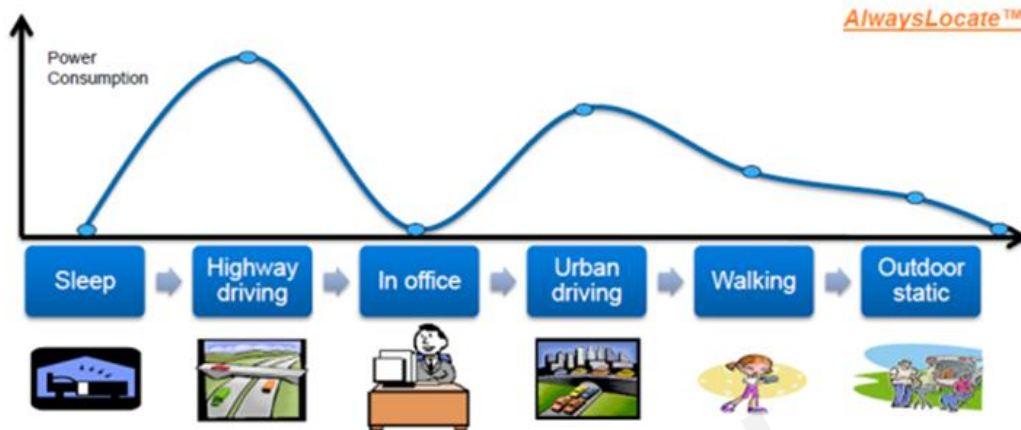
AlwaysLocate™ is an intelligent power saving mode. It contains AlwaysLocate™ backup mode and AlwaysLocate™ standby mode.

AlwaysLocate™ standby mode supports the module to switch automatically between full on mode and standby mode. According to the environmental and motion conditions, the module can adaptively adjust the full on time and standby time to achieve the balance between positioning accuracy and power consumption. Sending "\$PMTK225,8\*23" and the module returning: "\$PMTK001,225,3\*35" means the module accesses AlwaysLocate™ standby mode successfully. It will benefit power saving in this mode. Sending "\$PMTK225,0\*2B" in any time will make the module back to full on mode.

AlwaysLocate™ backup mode is similar with AlwaysLocate™ standby mode. The difference is that AlwaysLocate™ backup mode switches automatically between full on mode and backup mode. The PMTK command to enter into AlwaysLocate™ backup mode is "\$PMTK225,9\*22". Pulling FORCE\_ON high and sending "\$PMTK225,0\*2B" immediately will make the module enter into full on mode.



The position accuracy in AlwaysLocate™ mode will be degraded, especially in high speed. The following picture shows the rough consumption in different scenes.



**Figure 7: AlwaysLocate™ Mode**

Example:

The average consumption of the module which is located in outdoor in static and equipped active antenna after tracking satellites is about 2.7mA in AlwaysLocate™ standby mode based on GPS&GLONASS.

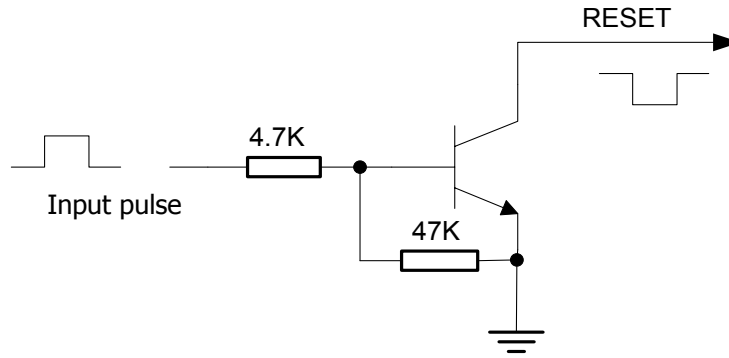
The average consumption of the module which is located in outdoor in static and equipped active antenna after tracking satellites is about 2.6mA in AlwaysLocate™ backup mode based on GPS&GLONASS.

#### NOTES

1. Setting the customer's GPIO which controls STANDBY pin as input is recommended before turning on the module to avoid entering into standby mode unexpectedly during starting the module due to its edge-triggered characteristics, after that, customer can reset the GPIO as output to control the STANDBY pin. If it is unused, keep it open.
2. Keep FORCE\_ON pin open or low before entering into AlwaysLocate™ backup mode or it is not available.

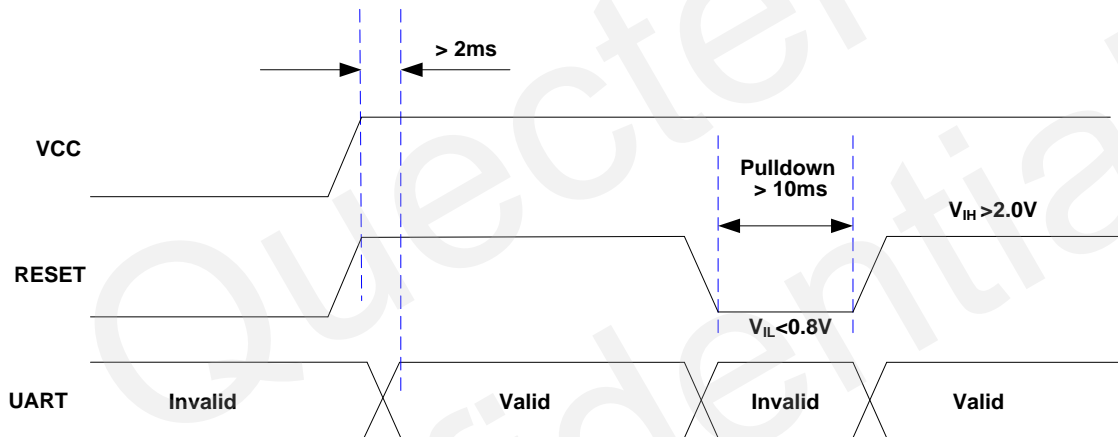
### 3.5. Reset

L76 series module can be restarted by driving the RESET to a low level voltage for a certain time and then releasing it. This action will force volatile RAM data loss. Note that Non-Volatile Backup RAM content is not cleared and thus fast TTFF is possible. An OC driver circuit shown as below is recommended to control the RESET.



**Figure 8: Reference Reset Circuit using OC Circuit**

The following picture is shown the timing of L76 series module.



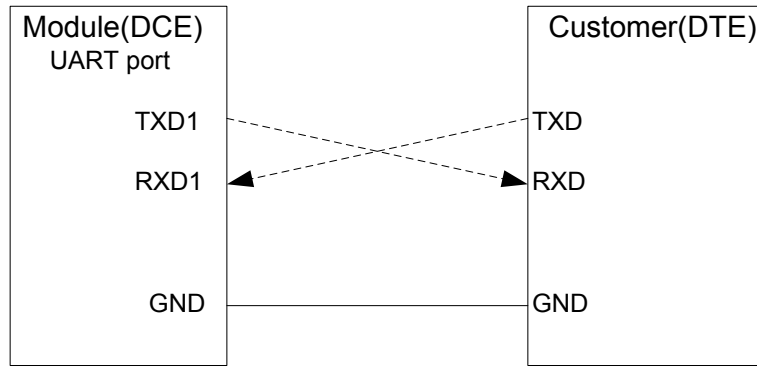
**Figure 9: Module Timing**

### 3.6. UART Interface

The module provides one universal asynchronous receiver & transmitter serial port. The module is designed as a DCE (Data Communication Equipment), following the traditional DCE-DTE (Data Terminal Equipment) connection. The module and the client (DTE) are connected through the following signal shown as following figure. It supports data baud-rate from 4800bps to 115200bps.

UART port:

- TXD1: Send data to the RXD signal line of DTE
- RXD1: Receive data from the TXD signal line of DTE

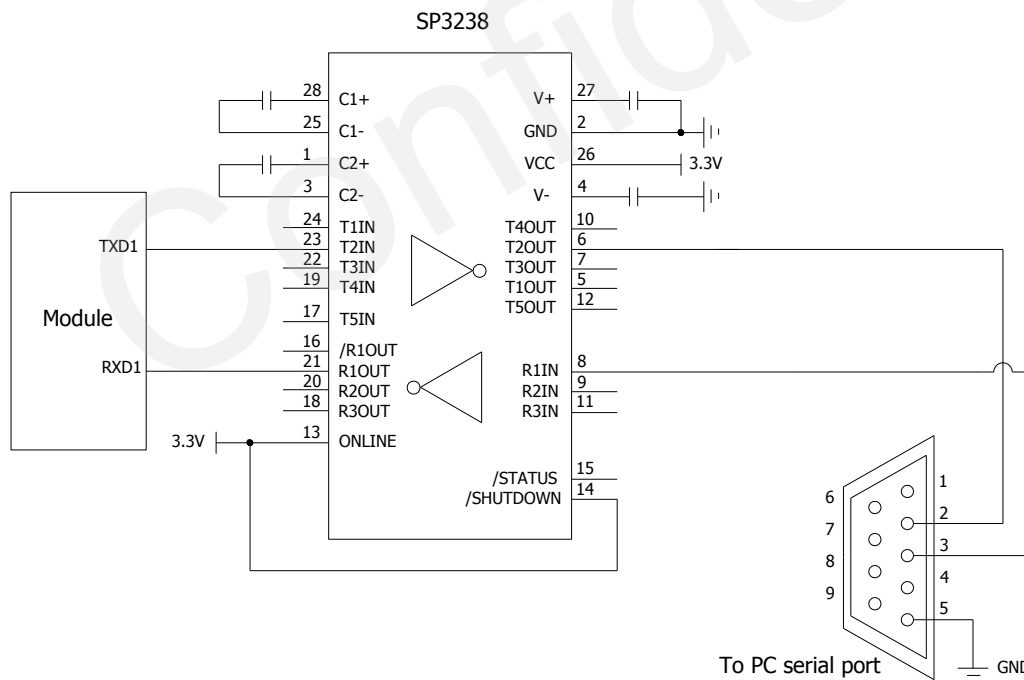


**Figure 10: Connection of serial interfaces**

This UART port has the following features:

- UART port can be used for firmware upgrade, NMEA output and PMTK proprietary messages input.
- The default output NMEA type setting is **RMC, VTG, GGA, GSA, GSV and GLL**.
- UART port supports the following data rates:  
4800, 9600, 14400, 19200, 38400, 57600, 115200.  
**The default setting is 9600bps, 8 bits, no parity bit, 1 stop bit.**
- Hardware flow control and synchronous operation are not supported.

The UART port does not support the RS-232 level but only CMOS level. If the module's UART port is connected to the UART port of a computer, it is necessary to add a level shift circuit between the module and the computer. Please refer to the following figure.



**Figure 11: RS-232 Level Shift Circuit**

**NOTE**

As GNSS module outputs more data than single GPS system. The default output NMEA types running in 4800 baud rate and 1Hz update rate will lose some data. The solution to avoid losing data in 4800 baud rate and 1Hz update rate is to decrease the output NMEA types. 9600 baud rate is enough to transmit GNSS NMEA in default settings and it is recommended.

### 3.7. EASY Technology

Supplying aided information like ephemeris, almanac, rough last position, time, and satellite status, can help improving GNSS module TTFF and the acquisition sensitivity. We call this easy technology and the L76 series module supports it.

EASY technology works as embedded software which can accelerate TTFF by predicting satellite navigation messages from received ephemeris. The GNSS engine will calculate and predict orbit information automatically up to 3 days after first receiving the broadcast ephemeris, and saving the predicted information into the internal memory. GNSS engine will use this information for positioning if no enough information from satellites, so the function will be helpful for positioning and TTFF improvement.

The EASY function can reduce TTFF to 5s for warm start. In this case, RTC domain should be valid. In order to gain enough broadcast ephemeris information from GNSS satellites, the GNSS module should receive the information for at least 5 minutes in the good signal condition after it fix the position.

EASY function is enabled by default. The command "\$PMTK869,1,0\*34" can be used to disable EASY function. For more details, please refer to the **document [2] & [3]**.

### 3.8. Multi-tone AIC

L76 series module has a function called multi-tone AIC (Active Interference Cancellation) to decrease harmonic of RF noise from Wi-Fi, Bluetooth, GSM and 3G.

Up to 12 multi-tone AIC embedded in the module can provide effective narrow-band interference and jamming elimination. The GNSS signal could be demodulated from the jammed signal, which can ensure better navigation quality. AIC function is enabled by default. Opening AIC function will increase about 1mA @VCC=3.3V consumption. This function is enabled by default. The following commands can be used to set AIC function.

Enable AIC function: "\$PMTK 286,1\*23".

Disable AIC function: "\$PMTK 286,0\*22".

### 3.9. ANTON

L76 series module provides a pin called ANTON which is related to module state. Its voltage level will change in different module state. When the module works in full on mode, this pin is high level, while works in standby mode, backup mode as well as sleep time in period mode and AlwaysLocate™ mode, this pin is low level. Based on this characteristic, this ANTON pin can be used to control the power supply of active antenna or the enable pin of the external LNA to reduce power consumption. Please refer to **chapter 3.2** for more electrical characteristics about this pin. There is an example of this pin's application described in **chapter 4.2**.

### 3.10. LOCUS

The L76 series module supports the embedded logger function called LOCUS. It can log position information to internal flash memory automatically when this function is enabled by sending PMTK command "\$PMTK185,0\*22". Due to this function, the host can go to sleep to save power consumption and do not need to receive the NMEA information all the time. The module can provide a log capacity of more than 16 hours.

The detail procedures of this function are as follows:

- The module has fixed the position (only 3D\_fixed is available),
- Sending PMTK command "\$PMTK184,1\*22" to erase internal flash.
- Sending PMTK command "\$PMTK185,0\*22" to start log.
- Module logs the basic information (UTC time, latitude, longitude and height) every 15 seconds to internal flash memory.
- Stop logging the information by sending "\$PMTK185,1\*23".
- MCU can get the data via UART1 by sending "\$PMTK622,1\*29" to the module.

The raw data which MCU gets has to be parsed via locus parser code provided by Quectel. For more detail, please contact Quectel FAE department.

# 4 Antenna Interface

L76 series GNSS module supports both GPS and GLONASS/BeiDou systems. The RF signal is obtained from the RF\_IN pin. The impedance of RF trace should be controlled by 50 Ohm, and the length should be kept as short as possible.

## 4.1. Antenna Specification

The L76 series GNSS module can be connected to a dedicated GPS and GLONASS/BeiDou passive or active antenna in order to receive both GPS and GLONASS/BeiDou satellite signals. The recommended antenna specification is given in following table.

**Table 8: Recommended Antenna Specification**

Antenna Type	Specification
Passive Antenna	GPS+GLONASS frequency: 1575~1615MHz VSWR: <2 (Typ.) Polarization: RHCP or Linear Gain: >0dBi
Active Antenna	GPS+GLONASS frequency: 1575~1615MHz GPS+BeiDou frequency: 1561~1575.42MHz VSWR: <2 (Typ.) Polarization: RHCP or Linear Noise figure: <1.5dB Gain (antenna): >-2dBi Gain (embedded LNA): 20dB (Typ.) Total gain: >18dBi (Typ.) Gain (embedded LNA): 20dB (Typ.) Total gain: >18dBi (Typ.)

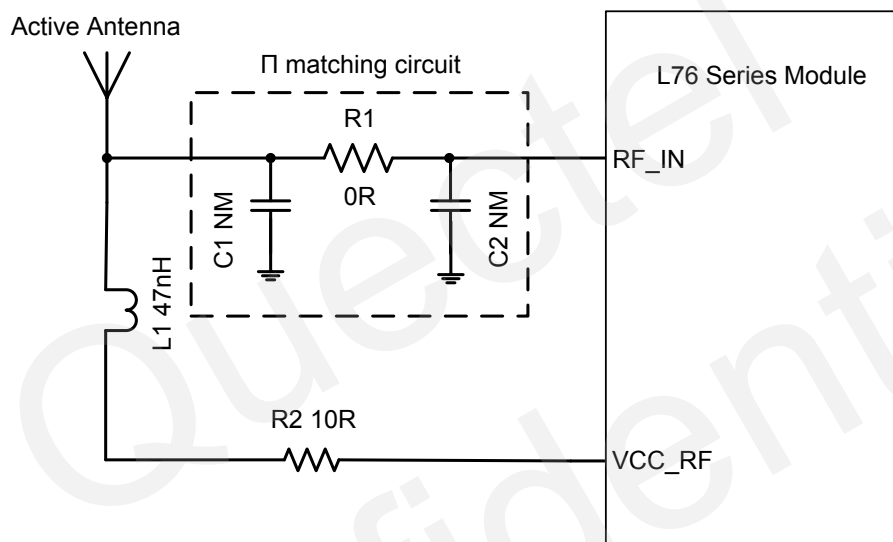
## 4.2. Recommended Circuit for Antenna

Both active and passive antenna can be used for L76 series module.

### 4.2.1. Active Antenna

#### 4.2.1.1. Active Antenna without ANTON

The following figure is a typical reference design with active antenna. In this mode, the antenna's power is from the VCC\_RF.



**Figure 12: Reference Design with Active Antenna**

C1, R1, C2 are reserved matching circuit for antenna impedance modification. By default, C1 and C2 are not mounted, R1 is 0 ohm.

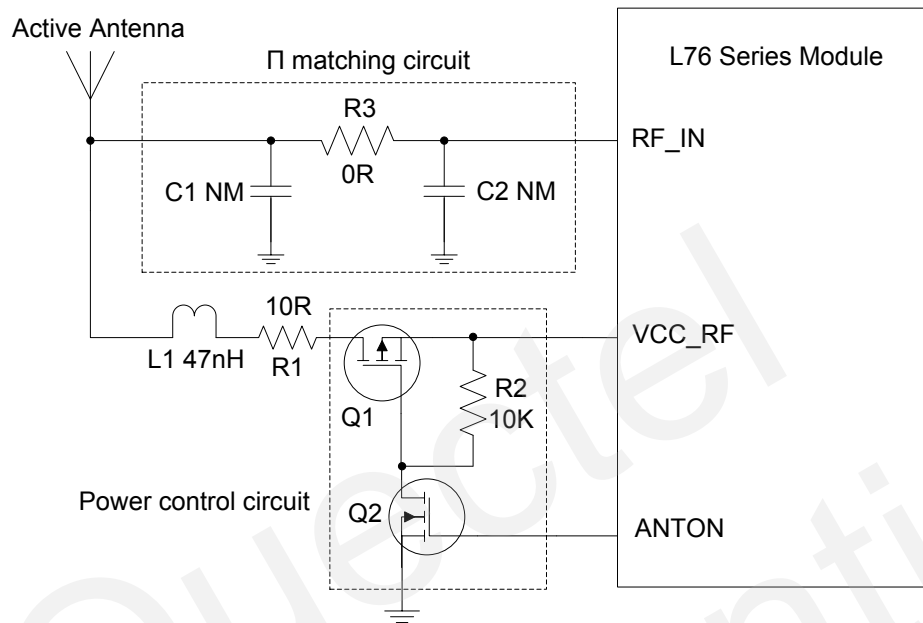
L76 series module provides power supply for external active antenna by VCC\_RF. The voltage ranges from 2.8V to 4.3V, typical value is 3.3V. If the VCC\_RF voltage does not meet the requirements for powering the active antenna, an external LDO should be used.

The inductor L1 is used to prevent the RF signal from leaking into the VCC\_RF pin and route the bias supply to the active antenna and the recommended value of L1 is no less than 47nH. R2 can protect the whole circuit in case the active antenna is shorted to ground.

#### 4.2.1.2. Active Antenna with ANTON

L76 series module can also reduce power consumption by controlling the power supply of active antenna through the pin “ANTON”.

The reference circuit for active antenna with “ANTON” function is given as below.



**Figure 13: Reference Design for Active Antenna with ANTON**

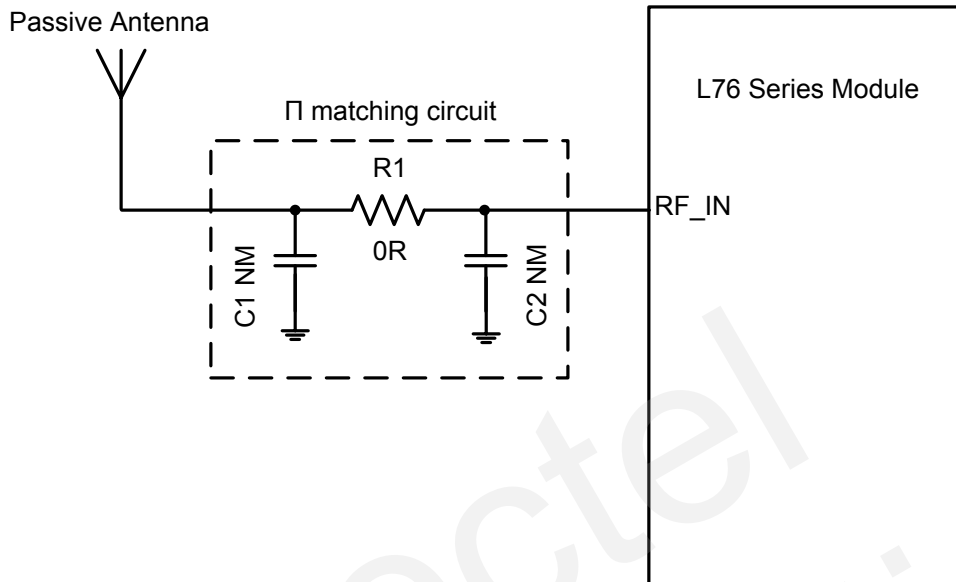
ANTON is an optional pin which can be used to control the power supply of the active antenna. When the ANTON pin is pulled down, MOSFET Q1 and Q2 are in high impedance state and the power supply for antenna is cut off. When ANTON is pulled high, it will make Q1 and Q2 in the on-state, VCC\_RF will provide power supply for the active antenna. The high and low level of ANTON pin is determined by the module's state. Please refer to **chapter 3.9** for more detail. If unused, please keep ANTON pin open.

For minimizing the current consumption, the value of resistor R2 should not be too small, and the recommended value is 10k ohm.



## 4.2.2. Passive Antenna

### 4.2.2.1. Passive Antenna without External LNA



**Figure 14: Reference Design with Passive Antenna**

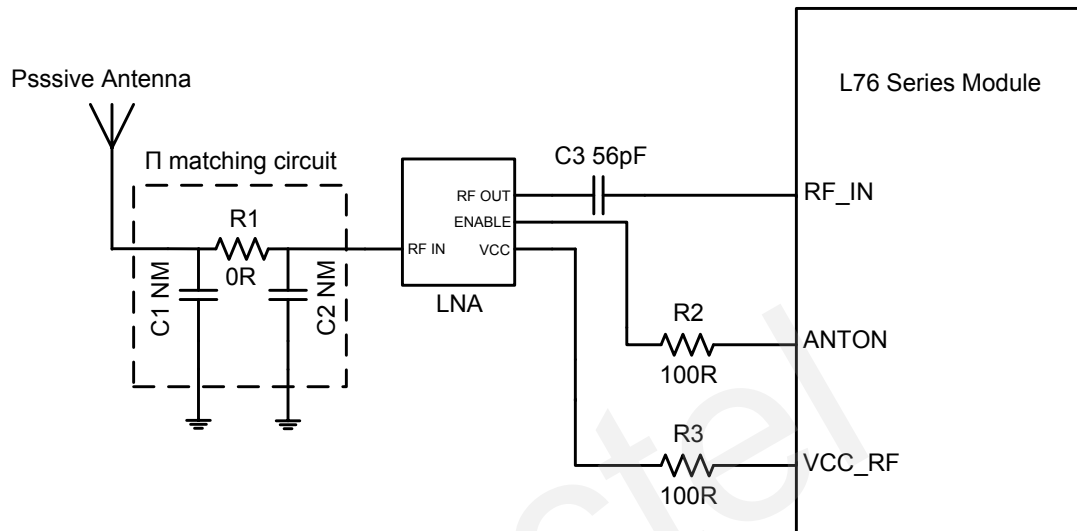
The above figure is a typical reference design with passive antenna.

C1, R1, C2 are reserved matching circuit for antenna impedance modification. C1 and C2 are not mounted by default, R1 is 0 ohm. Impedance of RF trace should be controlled by 50 ohm and the length should be kept as short as possible.

If an external LNA is added between passive antenna and L76 series module, the total sensitivity will be improved about 3dB, and the TTF will be shorter in weak signal, which might be helpful for better performance.

#### 4.2.2.2. Passive Antenna with External LNA

In order to improve the receiver sensitivity and reduce the TTFF, an external LNA between the passive antenna and the L76 series module is recommended. The reference design is shown as below.



**Figure 15: Reference Design for Passive Antenna with LNA**

Here, C1, R1, C2 form a reserved matching circuit for passive antenna and LNA. By default, C1 and C2 are not mounted, R1 is 0 ohm. C3 is reserved for impedance matching between LNA and L76 GNSS module and the default value of C3 capacitor is 56pF which you might optimize according to the real conditions. ANTON is an optional pin which can be used to control the enable pin of an external LNA.

#### NOTES

1. The selected LNA should support both GPS and GLONASS/BeiDou system. LNA from Maxim (<http://para.maximintegrated.com>) or from Infineon (<http://www.infineon.com>) is recommended to be used here. For more details, please contact Quectel FAE department.
2. The power consumption of the device will be reduced by controlling “LNA ENABLE” through the pin “ANTON” of L76 series module. If “ANTON” function is not used, please connect the pin “LNA ENABLE” to VCC and keep LNA always on.

# 5 Electrical, Reliability and Radio Characteristics

## 5.1. Absolute Maximum Ratings

Absolute maximum rating for power supply and voltage on digital pins of the module are listed in following table.

**Table 9: Absolute Maximum Ratings**

Parameter	Min.	Max.	Unit
Power Supply Voltage (VCC)	-0.3	4.5	V
Backup Battery Voltage (V_BCKP)	-0.3	4.5	V
Input Voltage at Digital Pins	-0.3	3.6	V
Input Power at RF_IN (PRF_IN)		15	dBm
Storage Temperature	-45	125	°C

### NOTE

Stressing the device beyond the “Absolute Maximum Ratings” may cause permanent damage. These are stress ratings only. The product is not protected against over voltage or reversed voltage. If necessary, voltage spikes exceeding the power supply voltage specification, given in table above, must be limited to values within the specified boundaries by using appropriate protection diodes.

## 5.2. Operating Conditions

**Table 10: The Module Power Supply Ratings**

Parameter	Description	Conditions	Min.	Type	Max.	Unit
VCC	Supply voltage	Voltage must stay within the min/max values, including voltage drop, ripple, and spikes.	2.8	3.3	4.3	V
I <sub>VCCP</sub>	Peak supply current	VCC=3.3V			150	mA
V <sub>BCKP</sub>	Backup voltage supply		1.5	3.3	4.5	V
VCC <sub>RF</sub>	Output voltage RF section				VCC	V
TOPR	Full on operating temperature		-45	25	85	°C

### NOTES

1. This figure can be used to determine the maximum current capability of power supply.
2. Operation beyond the "Operating Conditions" is not recommended and extended exposure beyond the "Operating Conditions" may affect device reliability.

## 5.3. Current Consumption

The values for current consumption are shown in following table.

**Table 11: The Module Current Consumption**

Parameter	Conditions	Min.	Type	Unit
I <sub>VCC</sub> @Acquisition	@-130dBm (GPS)		21	mA
I <sub>VCC</sub> @Tracking	@-130dBm (GPS)		15	mA
I <sub>VCC</sub> @Acquisition	@-130dBm (GPS+GLONASS)		25	mA
I <sub>VCC</sub> @Tracking	@-130dBm (GPS+GLONASS)		18	mA

$I_{VCC}$ @Acquisition	@-130dBm (GPS+BeiDou)	23	mA
$I_{VCC}$ @Tracking	@-130dBm (GPS+BeiDou)	18	mA
$I_{VCC}$ @Standby	@VCC=3.3V	0.5	mA
$I_{BCKP}$ @backup	@V_BCKP=3.3V	7	uA

#### NOTES

1. The VCC\_RF current is not reckoned in above consumption.
2. The tracking current is tested in following condition:
  - For Cold Start, 10 minutes after First Fix.
  - For Hot Start, 15 seconds after First Fix.

## 5.4. Reliability Test

**Table 12: Reliability Test**

Test Item	Conditions	Standard
Thermal Shock	-30°C...+80°C, 144 cycles	GB/T 2423.22-2002 Test Na IEC 68-2-14 Na
Damp Heat, Cyclic	+55°C; >90% Rh 6 cycles for 144 hours	IEC 68-2-30 Db Test
Vibration Shock	5~20Hz, 0.96m2/s3; 20~500Hz, 0.96m2/s3-3dB/oct, 1hour/axis; no function	2423.13-1997 Test Fdb IEC 68-2-36 Fdb Test
Heat Test	85°C, 2 hours, operational	GB/T 2423.1-2001 Ab IEC 68-2-1 Test
Cold Test	-40°C, 2 hours, operational	GB/T 2423.1-2001 Ab IEC 68-2-1 Test
Heat Soak	90°C, 72 hours, non-operational	GB/T 2423.2-2001 Bb IEC 68-2-2 Test B
Cold Soak	-45°C, 72 hours, non-operational	GB/T 2423.1-2001 A IEC 68-2-1 Test

# 6 Mechanics

This chapter describes the mechanical dimensions of the module.

## 6.1. Mechanical View of the Module

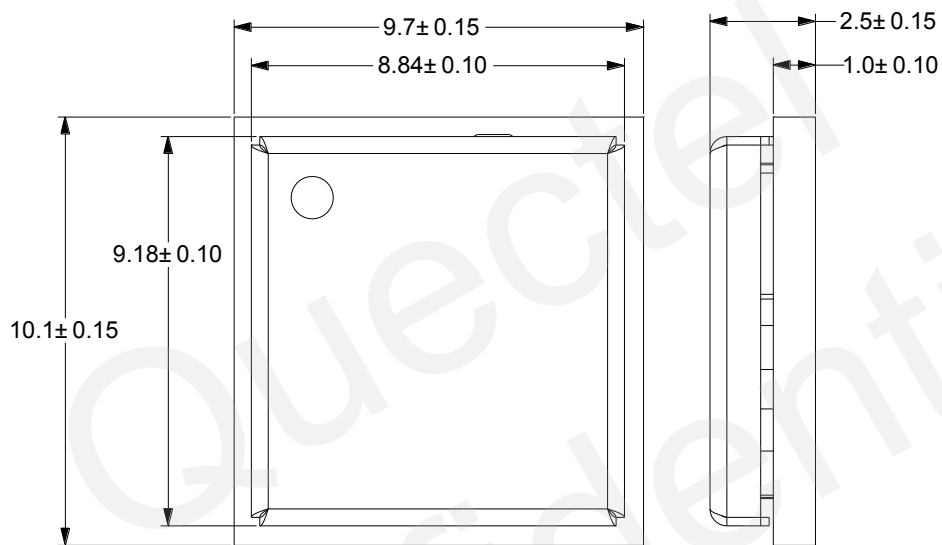


Figure 16: Top View and Side View (Unit: mm)

## 6.2. Bottom Dimension and Recommended Footprint

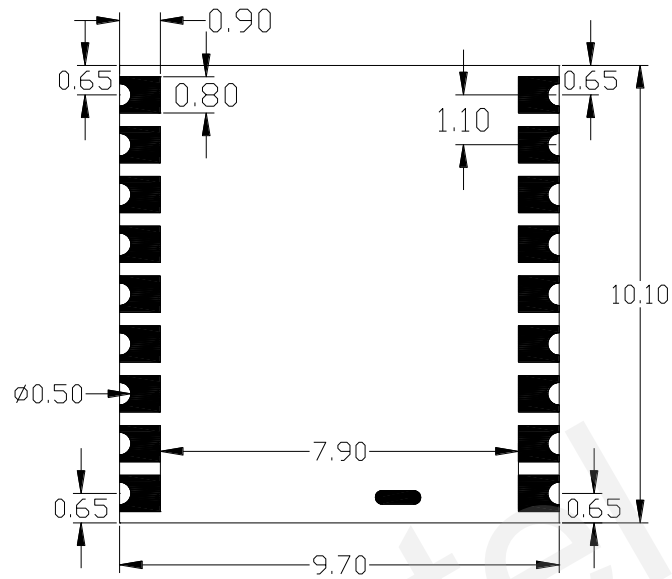


Figure 17: Bottom Dimension (Unit: mm)

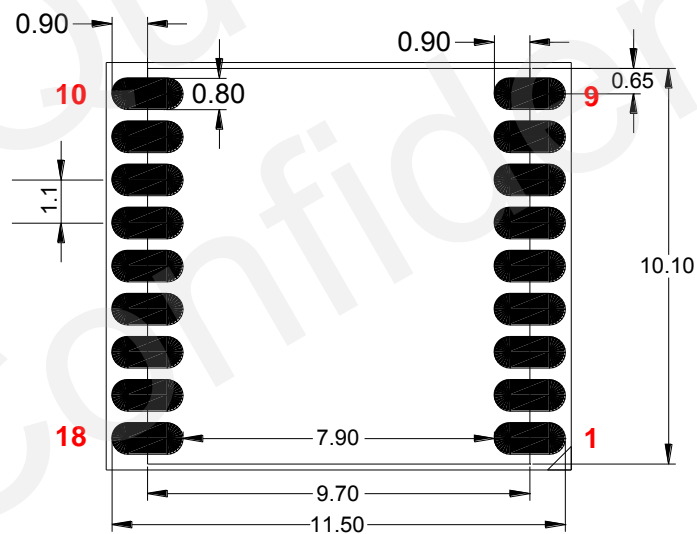


Figure 18: Footprint of Recommendation (Unit: mm)

### NOTE

For easy maintenance of this module and accessing to these pads, please keep a distance of no less than 3mm between the module and other components in host board.

### 6.3. Top View of the Module

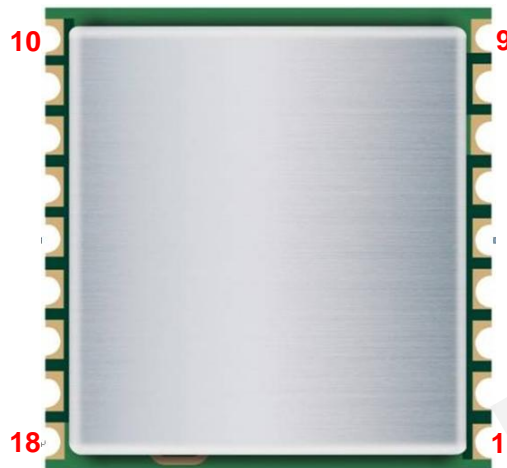


Figure 19: Top View of the Module

### 6.4. Bottom View of the Module

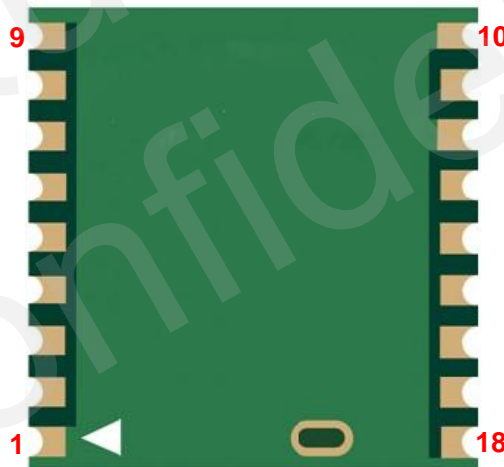


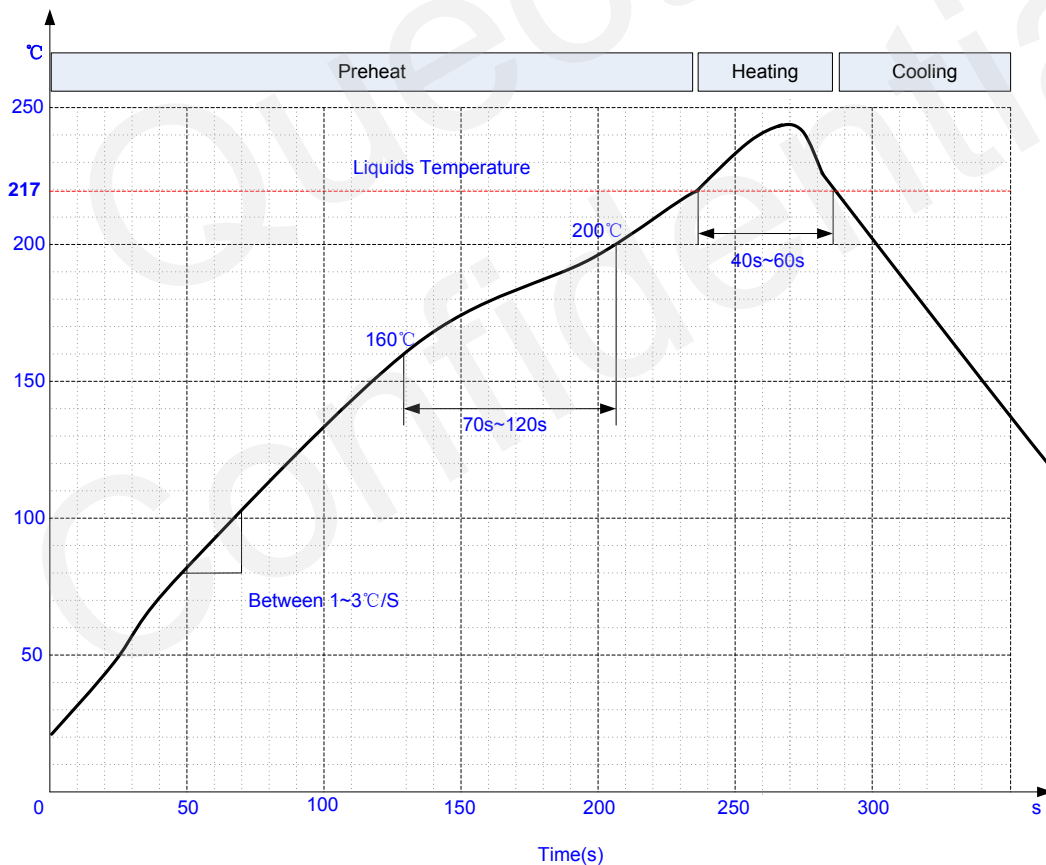
Figure 20: Bottom View of the Module



# 7 Manufacturing

## 7.1. Assembly and Soldering

L76 series module is intended for SMT assembly and soldering in a Pb-free reflow process on the top side of the PCB. It is suggested that the minimum height of solder paste stencil is 130um to ensure sufficient solder volume. Pad openings of paste mask can be increased to ensure proper soldering and solder wetting over pads. It is suggested that peak reflow temperature is 235~245°C (for SnAg3.0Cu0.5 alloy). Absolute max reflow temperature is 260°C. To avoid damage to the module when it is repeatedly heated, it is suggested that the module should be mounted after the first panel has been reflowed. The following picture is the actual diagram which we have operated.



**Figure 21: Ramp-soak-spike-reflow of Furnace Temperature**

## 7.2. Moisture Sensitivity

L76 series module is sensitivity to moisture absorption. To prevent L76 series module from permanent damage during reflow soldering, baking before reflow is required in following cases:

- Humidity indicator card: At least one circular indicator is no longer blue
- The seal is opened and the module is exposed to excessive humidity.

L76 series module should be baked for 192 hours at temperature  $40^{\circ}\text{C}+5^{\circ}\text{C}/-0^{\circ}\text{C}$  and  $<5\%$  RH in low-temperature containers, or 24 hours at temperature  $125^{\circ}\text{C}\pm 5^{\circ}\text{C}$  in high-temperature containers. Care should be taken that plastic tape is not heat resistant. L76 GNSS module should be taken out before preheating, otherwise, the tape maybe damaged by high-temperature heating.

## 7.3. ESD Protection

L76 series module is an ESD sensitive device. ESD protection precautions should be emphasized. Proper ESD handling and packaging procedures must be applied throughout the processing, handling and operation of any application. Please note the following measures are good for ESD protection when the module is handled.

- Unless there is a galvanic coupling between the local GND and the PCB GND, then the first point of contact shall always be between the local GND and PCB GND when handling the PCB.
- Before mounting with the RF\_IN pad, please make sure the GND of the module has been connected.
- Do not contact any charged capacitors and materials which can easily develop or store charges (such as patch antenna, coax cable, soldering iron) when handling with the RF\_IN pad.
- To prevent electrostatic discharge from the RF input, please do not touch any exposed area of the mounted patch antenna.
- Make sure to use an ESD safe soldering iron (tip) when soldering the RF\_IN pin.

## 7.4. Tape and Reel

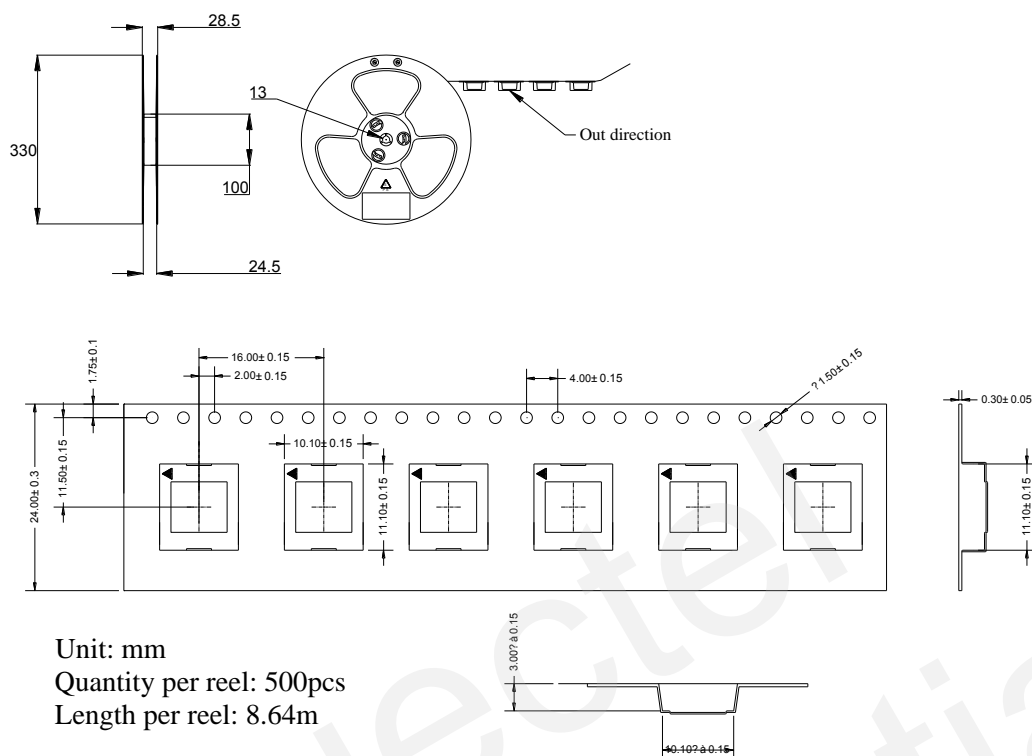


Figure 22: Tape and Reel Specification

Table 13: Reel Packing

Model Name	MOQ for MP	Minimum Package: 500pcs	Minimum Packagex4=2000pcs
L76/L76B	500pcs	Size: 370mm × 350mm × 56mm N.W: 0.25kg G.W: 1.00kg	Size: 380mm × 250mm × 365mm N.W: 1.1kg G.W: 4.4kg

## 7.5. Ordering Information

Table 14: Ordering Information

Model Name	Ordering Code
L76	L76-M33
L76B	L76B-M33

# 8 Appendix Reference

**Table 15: Related Documents**

SN	Document Name	Remark
[1]	Quectel_L76_EVB_User Guide	L76 EVB User Guide
[2]	Quectel_L76_GNSS_Protocol_Specification	L76 GNSS Protocol Specification
[3]	Quectel_L76B_BDS_Protocol_Specification	L76B BDS Protocol Specification
[4]	Quectel_L76B_Reference_Design	L76B Reference Design
[5]	Quectel_L70&L76_Reference_Design	L70&L76 Reference Design
[6]	Quectel_MTK_GNSS_Power_Supply_AN	MTK GNSS power supply Application Note

**Table 16: Terms and Abbreviations**

Abbreviation	Description
AGPS	Assisted GPS
AIC	Active Interference Cancellation
BDS	BeiDou Navigation Satellite System
CEP	Circular Error Probable
DGPS	Differential GPS
EASY	Embedded Assist System
EGNOS	European Geostationary Navigation Overlay Service
EMC	Electromagnetic Compatibility
EPO	Extended Prediction Orbit
ESD	Electrostatic Discharge

GPS	Global Positioning System
GNSS	Global Navigation Satellite System
GGA	GPS Fix Data
GLL	Geographic Position - Latitude/Longitude
GLONASS	GLOBAL NAVIGATION SATELLITE SYSTE
GSA	GNSS DOP and Active Satellites
GSV	GNSS Satellites in View
HDOP	Horizontal Dilution of Precision
IC	Integrated Circuit
I/O	Input/Output
Kbps	Kilo Bits Per Second
LNA	Low Noise Amplifier
MSAS	Multi-Functional Satellite Augmentation System
MOQ	Minimum Order Quantity
NMEA	National Marine Electronics Association
PDOP	Position Dilution of Precision
PMTK	MTK Proprietary Protocol
PPS	Pulse Per Second
PRN	Pseudo Random Noise Code
QZSS	Quasi-Zenith Satellite System
RHCP	Right Hand Circular Polarization
RMC	Recommended Minimum Specific GNSS Data
RTCM	Radio Technical Commission for Maritime Services
SBAS	Satellite-based Augmentation System
SAW	Surface Acoustic Wave
TTFF	Time To First Fix

UART	Universal Asynchronous Receiver & Transmitter
VDOP	Vertical Dilution of Precision
VTG	Course over Ground and Ground Speed, Horizontal Course and Horizontal Velocity
WAAS	Wide Area Augmentation System
Inom	Nominal Current
I <sub>max</sub>	Maximum Load Current
V <sub>max</sub>	Maximum Voltage Value
V <sub>nom</sub>	Nominal Voltage Value
V <sub>min</sub>	Minimum Voltage Value
V <sub>IHmax</sub>	Maximum Input High Level Voltage Value
V <sub>IHmin</sub>	Minimum Input High Level Voltage Value
V <sub>ILmax</sub>	Maximum Input Low Level Voltage Value
V <sub>ILmin</sub>	Minimum Input Low Level Voltage Value
V <sub>Imax</sub>	Absolute Maximum Input Voltage Value
V <sub>Imin</sub>	Absolute Minimum Input Voltage Value
V <sub>OHmax</sub>	Maximum Output High Level Voltage Value
V <sub>OHmin</sub>	Minimum Output High Level Voltage Value
V <sub>OLmax</sub>	Maximum Output Low Level Voltage Value
V <sub>OLmin</sub>	Minimum Output Low Level Voltage Value