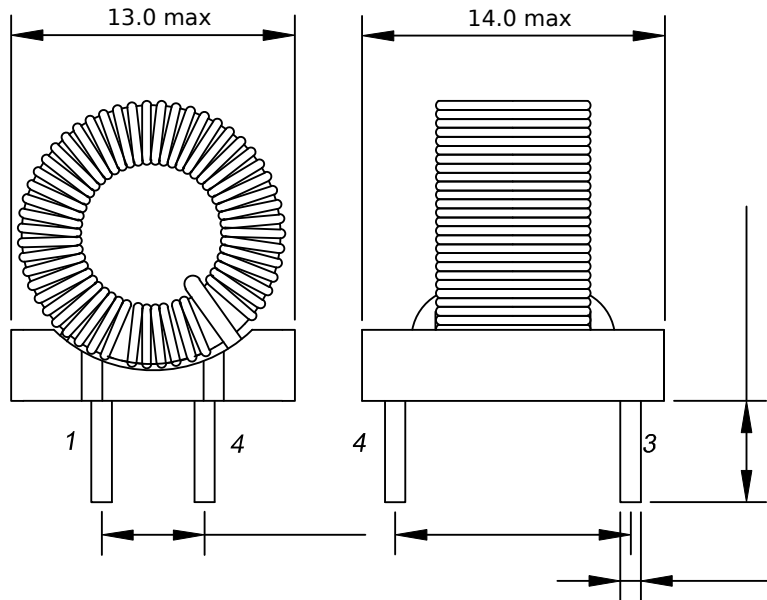


CUSTOMER TERMINAL	ROHS	Lead (Pb) -free
	YES	YES

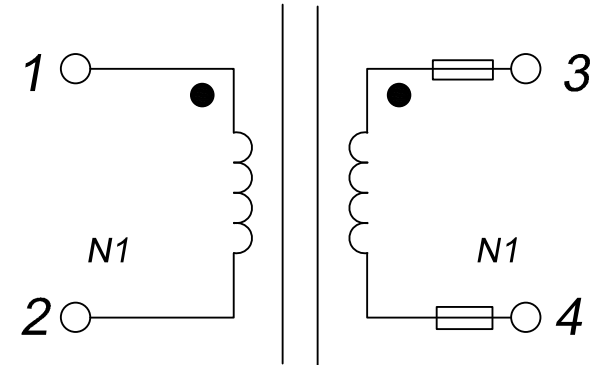
1.Mechanical Dimensions



3.Material List

Core:FW40-T10*6*5C (AL=1150±25%)
 Wire:2UEW 0.18mm/1.0mm 155℃
 Tube: TFL TUBE
 EPOXY: E-500(BLACK)
 Operating Temperature: -30 to 115℃

2.Schematic Diagram



4.Electrical Specification

Inductance: $L(1-2)=11.5\text{mH}\pm 25\%$ 1K,1V
 Hi-pot: coil-coil-core AC 800V 3mA 2s

REV.	DATE	 Convention Placement	DRW.	Drawing Title: CHOKE	Part No:
0	16/12/09		CHK.		Customer P/N:
RoHS		www.ferriwo.com	APP.		Specification Sheet 1 of 1