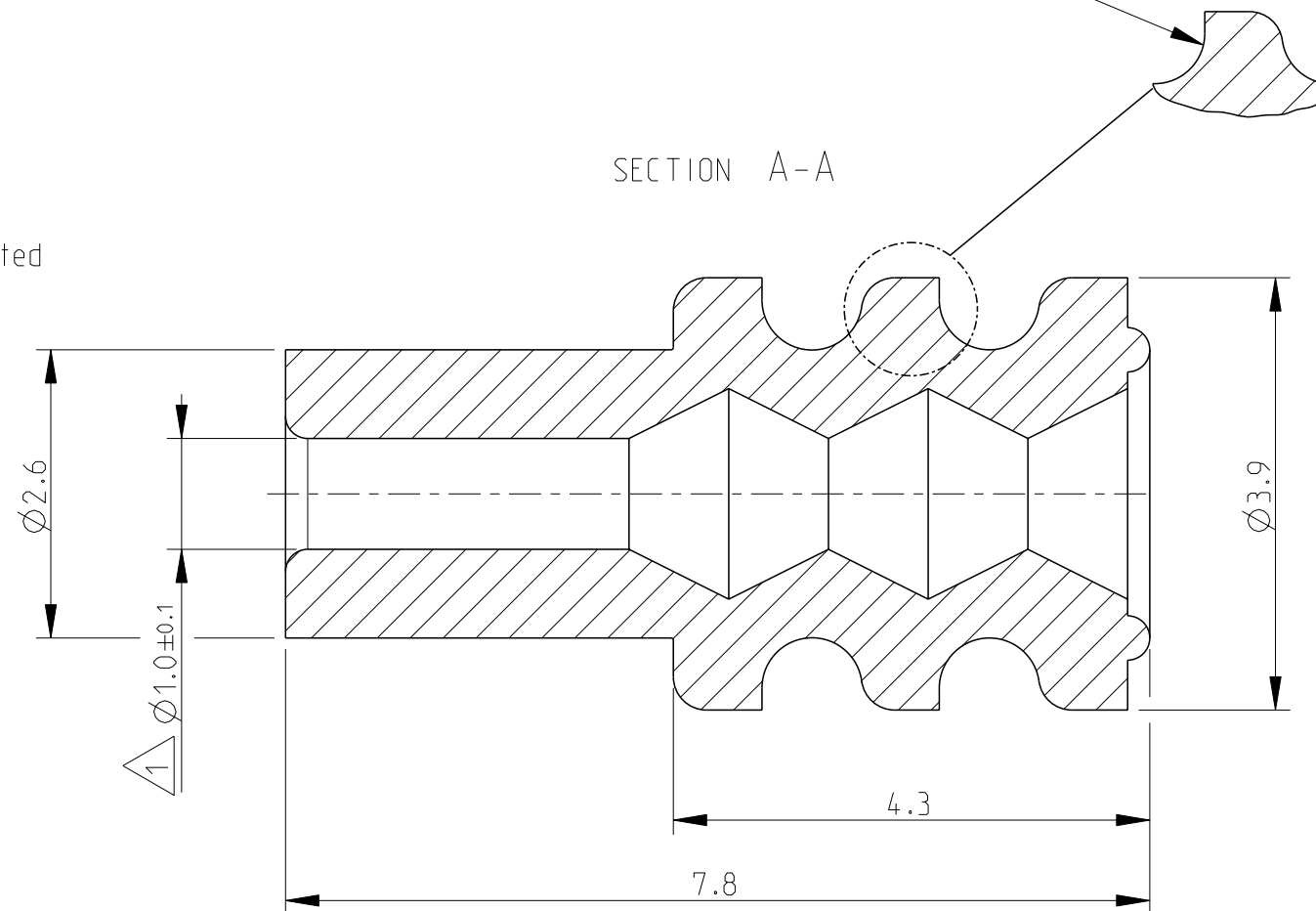
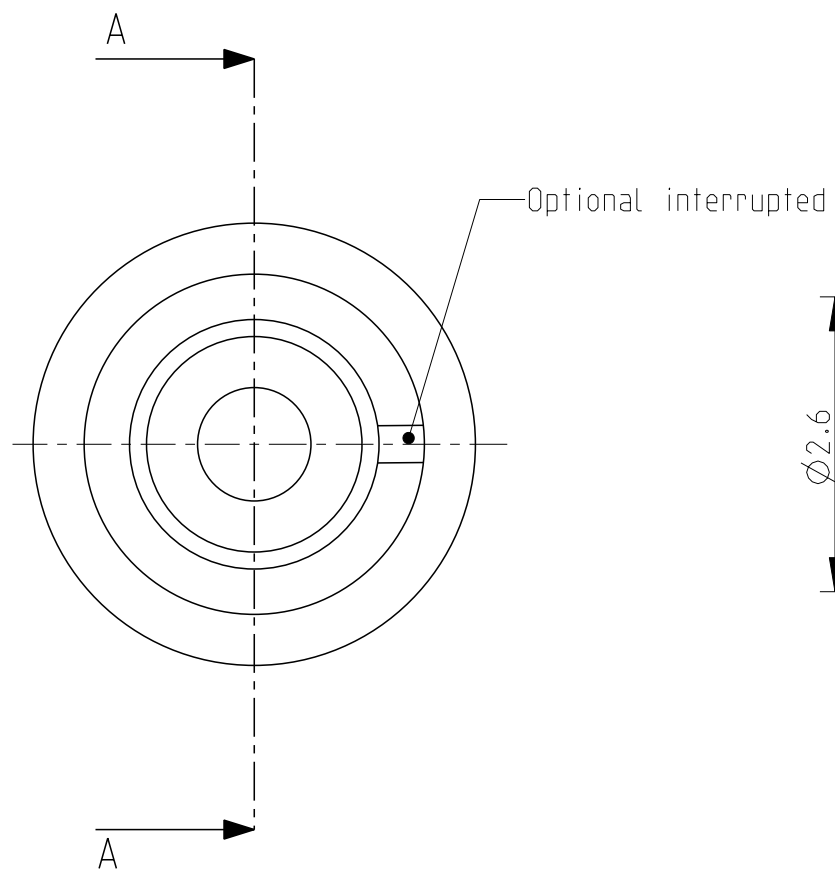


REVISIONS

P	LTR	DESCRIPTION	DATE	DWN	APVD
B6		Revised ECO-17-009821	04 JUL 2017	A.Ma	S.Kr
B7		REMOVED NOTE FOR 1-963530-1	14 JAN 2019	JJH	A.Ma

Alternative admitted shape of central lip



1 For wire insulation \varnothing 1.4-1.9 mm (0.5-0.75 mm² FLR)

2 Heat post-treatment process

B7	1-963530-1	Silicone Shore A 50 self-lubricated	Green	2
	963530-1		Gray	-
	PN	Raw Material	Color	Finish

THIS DRAWING IS A CONTROLLED DOCUMENT.

DWN S.Denter 05AUG1991

CHK W.Pfeffer 05AUG1991

APVD -

PRODUCT SPEC -

APPLICATION SPEC -

WEIGHT -

CUSTOMER DRAWING



TE Connectivity

NAME SINGLE WIRE SEAL INS. DIA 1.4-1.9mm
Fuer Flachkontakt und Flachstecker 1.5mm
(Mikro Timer 2 Kontaktsystem)

SIZE A3 CAGE CODE 00779 DRAWING NO. C-963530 RESTRICTED TO -

SCALE 15:1 SHEET 1 OF 1 REV B7