

Data sheet

Commercial Art.No.: 99.450.9999.9

Transformer Prim.frei/Sek.ST16

Electronic transformer ST 16, primary side with screw connections, secondary pluggable with cable ST16, rated voltage primary 230V, secondary 11,7V, power range 35-105 W



Commercial Art.No.	99.450.9999.9
EAN	4015573524279
Order Unit	100

Technical data

General

Mounting method	Surface mounting/recessed mounting
Color	white
Type of transformer	Electronic transformer

Technical data

Dimmable	yes
Type of control	Phase cut-off
Type of power supply	screw connection
Secondary voltage	12 V
Short-circuit protected	yes
Overload-/temperature protection	yes
With secondary automatic circuit breaker	No
Primary voltage	230 V
Safety transformer	yes
Power range (min)	35 W
Power range (max)	105 W

Model

Connection type primary side	screw connection
Connection type secondary side	Feeder with Wieland plug-in connector

Material

Housing material	Plastic
------------------	---------

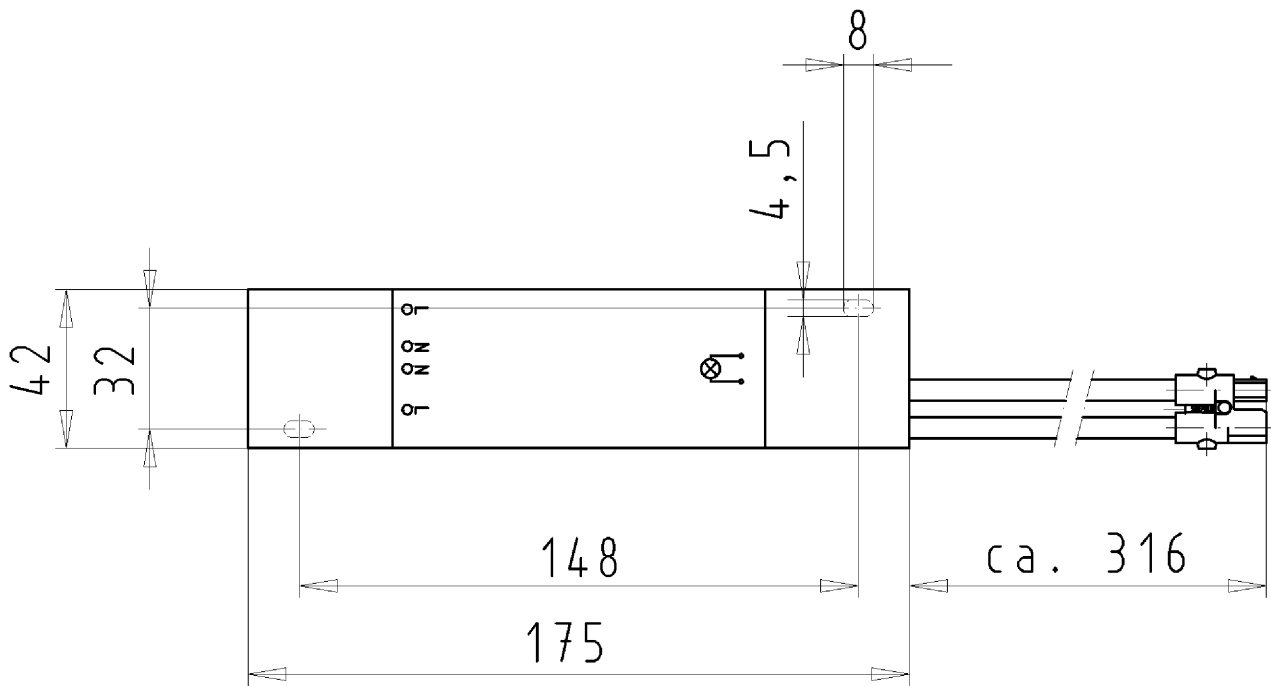
Dimensions

Length	175 mm
Width	42 mm
Height	18 mm

Classification

ECLASS 8.1	27119208
ETIM 7.0	EC001500

ETIM 6.0	EC001500
ETIM 5.0	EC001500
ETIM 4.0	EC001500
ETIM 3.0	EC001500



ELEKTRONISCHER TRAF0
 99.450.9999.9 10W
 11.12.2007 Lunz S.
 M1:2

Weitergabe sowie Vervielfältigung dieses Dokuments, Verwertung und Mitteilung seines Inhalts sind verboten, soweit nicht ausdrücklich gestattet. The reproduction, distribution and utilization of this document as well as the communication of its contents to others without express authorization is prohibited.