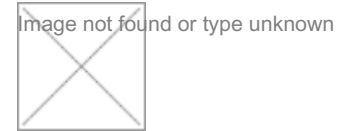


Data sheet

Commercial Art.No.: 91.951.4053.0

Connector GST15i5S B1 ZR1W WS

GST15i5 connector, 5 pole, female, with screw connection (angled), for cable diameters 8.5-12.5 mm, coding mains 250/400 V, 16 A, coding color white, strain relief color white



Commercial Art.No.	91.951.4053.0
EAN	4049088037801
Order Unit	1

Certificates / Approvals



Technical data

General

Rated current	16 A
Rated voltage	250 V / 400 V
Rated impulse voltage	4 kV
strain relief	yes
Pollution degree	2
Mechanical coding	Code 1
Lockable	self-locking (unlocking by tool)
Color of coding/ contact carrier	white
Marking of poles	3, 2, 1, PE, N
Color of housing inclusive strain relief	white

Connection Data

Cable diameter max.	12.5 mm
Cable diameter min.	8.5 mm
Connection cross section solid mm ² max.	2.5 mm ²
Connection cross section solid mm ² min.	0.5 mm ²
Connection cross section fine stranded mm ² max.	2.5 mm ²
Connection cross section fine stranded mm ² min.	0.5 mm ²
Terminations per pole	1
sheath strip length	45 mm
Wire strip length	8 mm

Model

Model	female
Connection type	screw connection
Degree of protection (IP)	IP20

Material

Housing material	Polyamide
halogen free	yes
Contact material	CuZn

Fire load	0.109 kWh
Insulation components continuous temperature	100 °C
Surface finish	Silver-plated

Dimensions

Length	78 mm
Width	32 mm
Height	15 mm

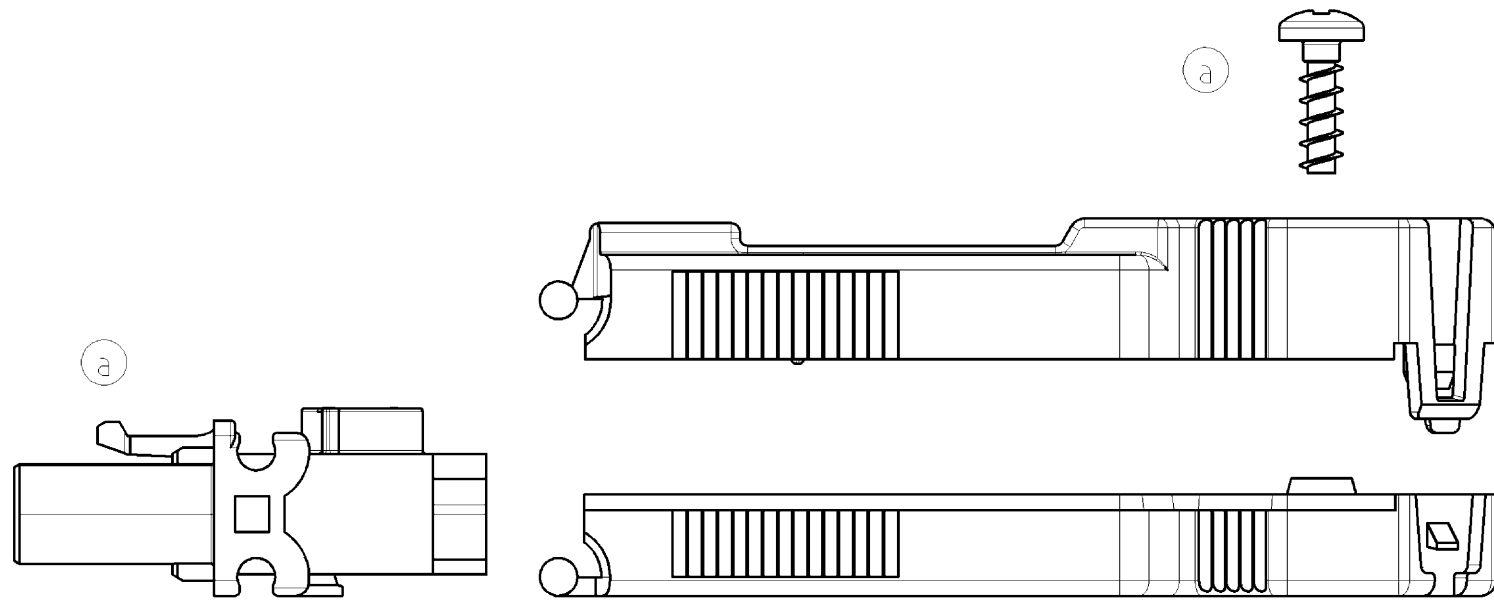
Classification

ECLASS 11	
ECLASS 8.1	27440605
ETIM 7.0	EC002560
ETIM 6.0	EC002560
ETIM 5.0	EC002560
ETIM 4.0	EC002560

Product compliance

ROHS conformity status	Compliant/Exempted
ROHS exceptions	III-6(c)
REACH-SVHC conformity status	Duty-To-Declare
REACH-SVHC substances	Lead
REACH-SVHC CAS numbers	7439-92-1

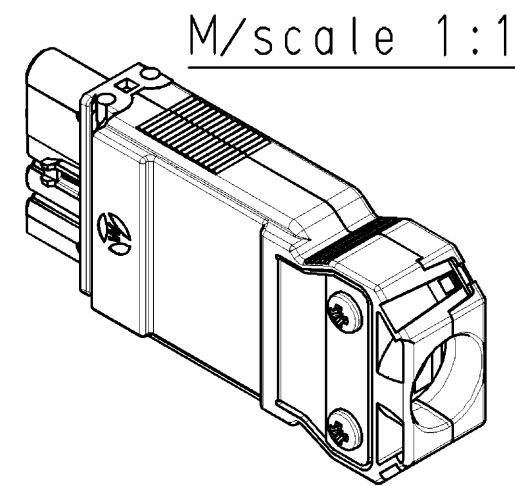
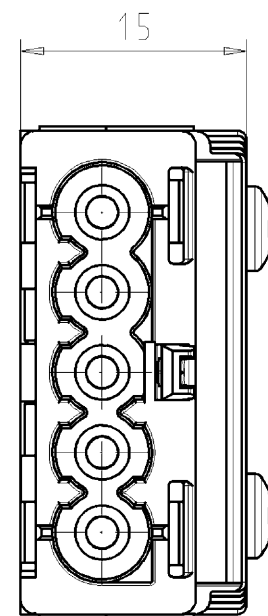
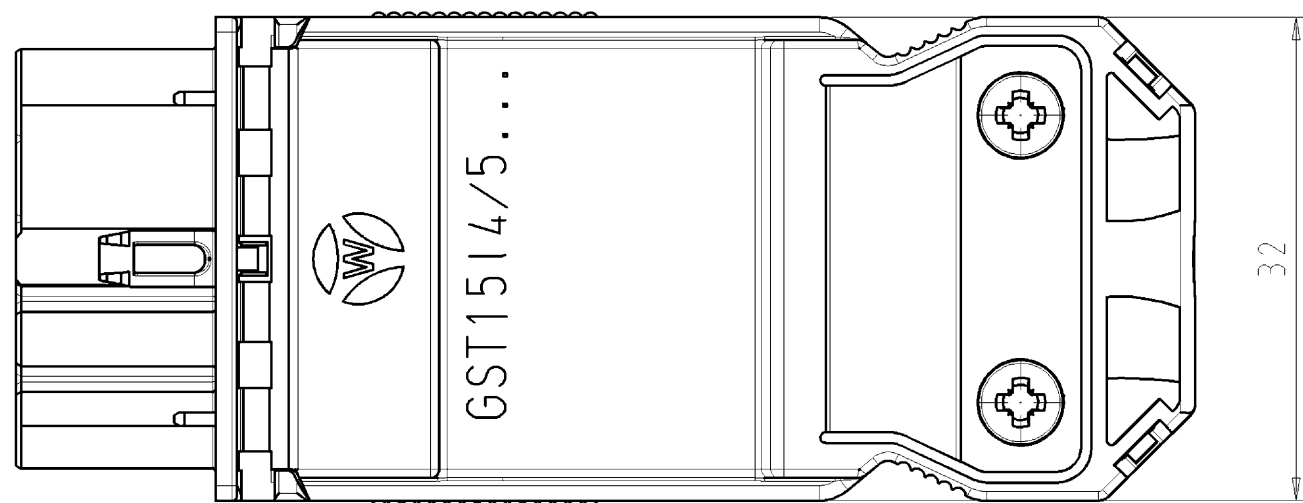
These dimensions will be especially checked at delivery
 Only inspection dimensions
 With ±E marked dimensions are only valid for internal use



Weitergabe sowie Vervielfältigung dieses Dokuments, Verwertung und Mitteilung seines Inhalts sind verboten, soweit nicht ausdrücklich gestattet. Die Reproduktion, Distribution und Utilization of this document as well as the communication of its contents to others without express authorization is prohibited.

Diese Maße werden bei Abnahme besonders geprüft
 Ausschließlich Prüfmaße
 Mit ±E gekennzeichnete Maße sind nur für interne Zwecke gültig

Ansicht im montierten Zustand / view in assembled state



Teile - Nr./ part number	Typ/type	Pos. 1	Pos. 2	Pos. 3	Farbe/colour
91.951.4053.0	GST1515S B1 ZR1W WS	07.429.4053.0	05.567.5853.0	Z1.093.6753.0	weiß/white
91.951.4053.1	GST1515S B1 ZR1W SW	07.429.4053.1	05.567.5853.1	Z1.093.6753.1	schwarz/black
* 91.951.4093.0	INS70000	07.429.4053.0	05.567.5853.0	Z1.093.6753.0	weiß/white
* 91.951.4093.1		07.429.4053.1	05.567.5853.1	Z1.093.6753.1	schwarz/black

* = spezielle Verpackung und Etikettierung / special package and labeling

Tolerierung nach DIN 7167/Tolerance system acc. to DIN 7167. (This DIN-standard describes the envelope principle. According to the envelope principle the deviations of form and parallelism are limited by the size tolerances).		ja/yes <input checked="" type="checkbox"/> Stoffverbots- und Deklarationsliste nach UU-TOM-05/03 ist einzuhalten. Conformity with Wieland document UU-TOM-05/03 (list of prohibited / declarable hazardous substances) to be declared!	
Freitoleranz nach General tolerance	CAD - Zeichnung, keine manuellen Änderungen CAD - drawing, no manual modifications allowed	1. Verwendung: First Use:	Blatt: 1 von 1 Sheet: of 1
	Werkstoff/Material	2009 Tag/Date Name	Zeichnung Nr./Drawing No. Index
		gezeichnet/drawn 16.07. Ritter	T 91.951.4053.0 01K a
	Maßstab/Scale	geprüft/checked - -	
	2:1	Normgepr. Stand. check - -	Maße in mm/Dimensions are in mm
	Vol. mm ³ Ofl./Surf. mm ²	Ersatz für/Replacement for: -	
		Type	Benennung/Title
a	23.11.2010/	BUCHSENT_M_ZUGENL	
Index	Datum / Blatt Date / Sheet		
Änderung/Revision			

919514053001K_4_CADW2037_Duetsch 2010-11-24T08:16:26 1.000