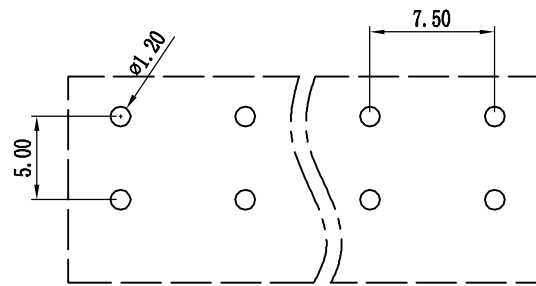
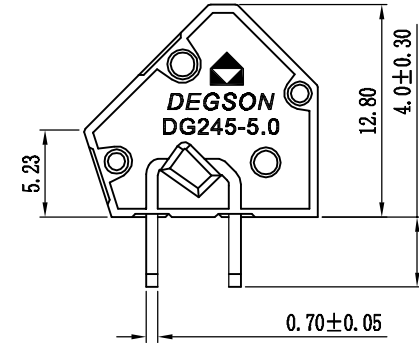
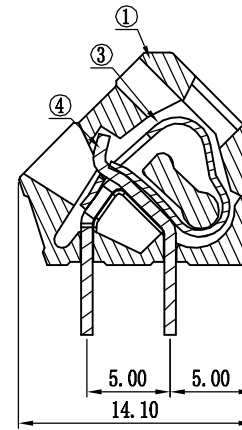


Notes:

1. Pitch:7.5mm ,Poles:XXP
2. Rated voltage/current:UL 300V/15A
VDE 750V/17A
3. Operation temperatures:-40℃~+105℃
4. Withstanding Voltage:AC2000V/1Min
5. Insulation Resistance:5000MΩ/DC1000V
6. Wire Range:28~12AWG, 2.5mm²
7. Undimensioned Tolerances:

REVISION RECORD				
REV	ECD	DESCRIPTION	DRFT	DATE
△		图面更新	WF	01/31/07*
△		增加UL刻字	CSX	07/27/07*
△		品名、料号增加环保标示“(H)”	LJH	12/08/07*
△		修改参数	Zengy	12/20/08*
△	10-0080	增加“VDE”刻字及参数	Jinbai, Lan	04/16/10*

Pitch range in mm		Nominal dimension range in mm					
to	over	over	over	over	over		
6	6 to 10	10 to 24	30 to 60	60 to 100	100 to 150	150	
±0.10	±0.15	±0.25	±0.2±0.3	±0.5±0.7	±1.0	0.005	



5	DG245-7.5-Clapboard	3025H0Y01A (H)	XX-1	PA66	UL94V-0
4	DG245 Pin header	3025B00010 (H)	XX	Phosphor bronze	SnCe
3	DG242 Spring	X000000990 (H)	XX	Stainless steel	
2	DG245-5.0-COVER	3025C0Y01A (H)	1	PA66	UL94V-0
1	DG245-5.0-HOUSING	3025A0Y01A (H)	XX	PA66	UL94V-0

ITEM	NAME OF PART	NO. OF PART	Q'TY	MATERIAL	NOTES																								
<table border="1"> <tr> <td>MM (INCH)</td> <td>DRFT LYK</td> <td>DATE 12/13/06*</td> </tr> <tr> <td>TOLERANCES EXCEPT AS NOTED</td> <td>CHKD</td> <td>DATE</td> </tr> <tr> <td></td> <td>MFD</td> <td>DATE</td> </tr> <tr> <td></td> <td>APPVL</td> <td>DATE</td> </tr> <tr> <td></td> <td colspan="2">MATERIAL :</td> </tr> <tr> <td>ANGLES ± 1°</td> <td colspan="2">G.E. :</td> </tr> <tr> <td>THIRD ANGLE PROJECTION</td> <td colspan="2">FINISH:</td> </tr> <tr> <td></td> <td colspan="2">SCALE :</td> </tr> </table>		MM (INCH)	DRFT LYK	DATE 12/13/06*	TOLERANCES EXCEPT AS NOTED	CHKD	DATE		MFD	DATE		APPVL	DATE		MATERIAL :		ANGLES ± 1°	G.E. :		THIRD ANGLE PROJECTION	FINISH:			SCALE :		<p>DEGSON® 宁波高正电子有限公司 DEGSON ELECTRONICS CO., LTD</p> <p>NAME DG245-7.5-XXP-1Y-00A(H)</p> <p>DRAWING NO. DG245-7.5-E01 SIZE A3 REV T5 /PART NO. 04/16/10*</p> <p>DO NOT SCALE DRAWING SHEET 1 OF 1</p>			
MM (INCH)	DRFT LYK	DATE 12/13/06*																											
TOLERANCES EXCEPT AS NOTED	CHKD	DATE																											
	MFD	DATE																											
	APPVL	DATE																											
	MATERIAL :																												
ANGLES ± 1°	G.E. :																												
THIRD ANGLE PROJECTION	FINISH:																												
	SCALE :																												