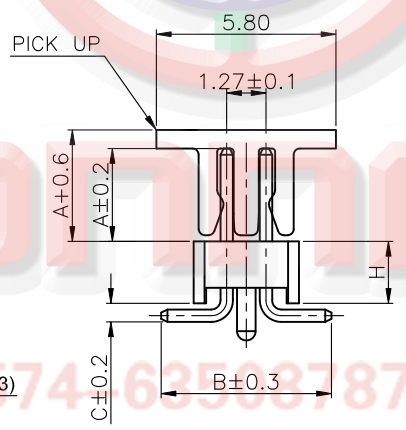
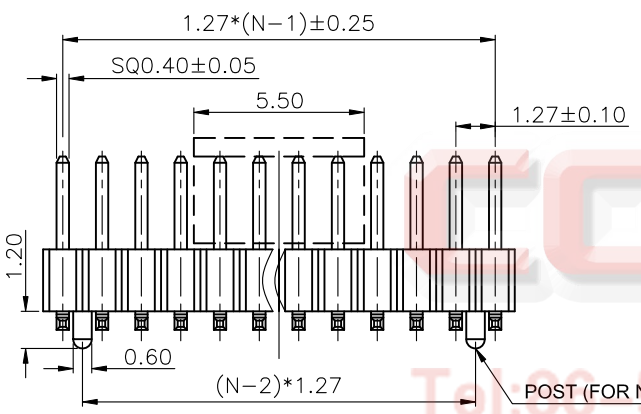
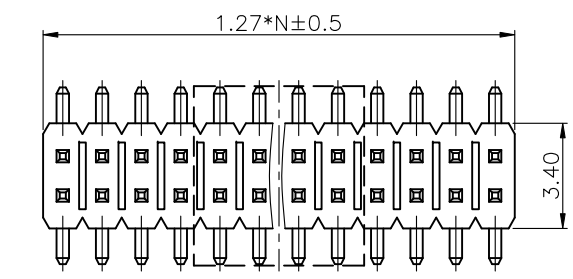


REV.	DESCRIPTION	DRAWN	CHECKED	APPROVED
A	NEW RELEASE	LJH 06/22/05'		LJC 06/22/05'
B	ADD P/N CODE (B)	JLZ 01/16/15'	HZW 01/16/15'	LJC 01/16/15'
D	DRAWING UPDATE	JLZ 08/18/16'	HZW 08/18/16'	LJC 08/18/16'

NOTES:

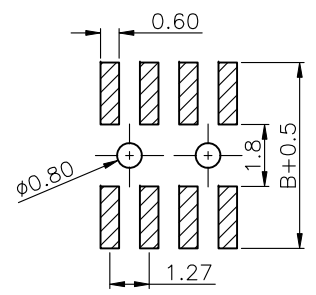
- MATERIAL
 - INSULATOR:THERMOPLASTIC(UL 94V-0).
 - CONTACT MATERIAL:COPPER ALLOY.
- SPECIFICATION
 - CURRENT RATING:1.0 Amp.
 - INSULATION RESISTANCE:1000MΩ Min.
 - DIELECTRIC WITHSTANDING:300VAC.
 - CONTACT RESISTANCE:50mΩ Max.
 - OPERATING TEMPERATURE:-40°C TO+105°C.
- PART NUMBER: DS1031-09
- PRODUCT NUMBER CODE:
DS1031-09 - X X X X X X X X - X

- PLATING LEVEL
3A: LEVEL 3A
- PACKING TYPE (B)
B:TUBE
R:TAPE ON REEL
- PICK UP SUPPORT (B)
S: W/ PICK UP
X: W/O PICK UP
- DIM.A,B,C TYPE
1: TYPE 1
-A/B/C-
- HOUSING DIM.(DIM.H)
1: H=1.00mm
2: H=1.50mm
3: H=1.70mm
4: H=2.00mm
- MOUNTING TYPE
S: SMT TYPE
- HOUSING COLOR
B:BLACK
- CONTACT PLATING
8: FULL GOLD FLASH
- CONNECTOR TYPE
P:PLUG
No.OF CONTACTS
2*3-2*40



N: HALF OF CONTACTS

TYPE	DIM A	DIM B	DIM C
1	3.00	5.50	0.60
2	3.70	5.70	0.60
3			
4			
5			
6			



RECOMMEND PCB LAYOUT(TOLERANCE=±0.05)

GENERAL TOLERANCE		ANGLE TOLERANCE	
X.	±0.60	X.	±5°
.X	±0.38	.X	±3°
.XX	±0.25	.XX	±2°

PROJECTION	TITLE
	1.27mm PITCH PIN HEADER
UNITS	mm
SHEET SIZE	A4
SERIES	DS1031-09 SERIES

DRAWING TYPE	CUSTOMER
SCALE	1:1 SHEET 1 OF 1
DRAWING NO.	C-DS1031-09-XXXXXXX-X-D

晨翔电子有限公司
CONNFLY CONNFLY ELECTRONIC CO., LTD

Tel: 86-574-63503787
Fax: 86-574-63510817
E-mail: connfly@connfly.com
<http://www.connfly.com>
Add: East Industry Zone KuangYan
Town Cixi Ningbo China
P.C: 315333