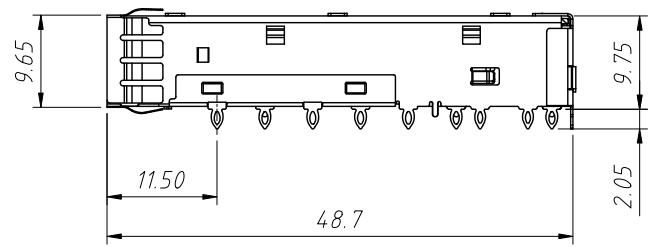
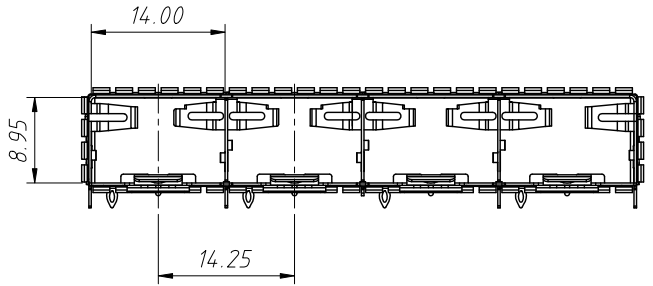
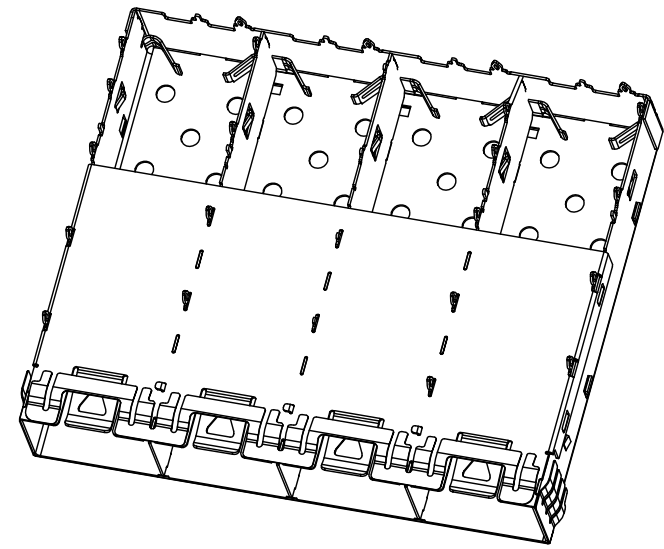
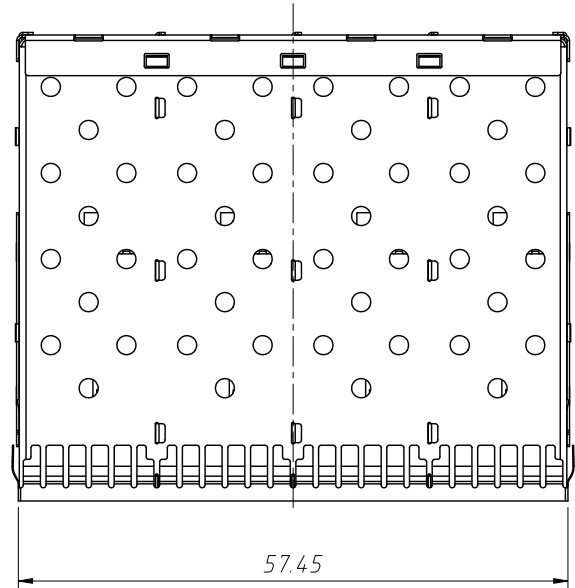


1
RoHS Compliance

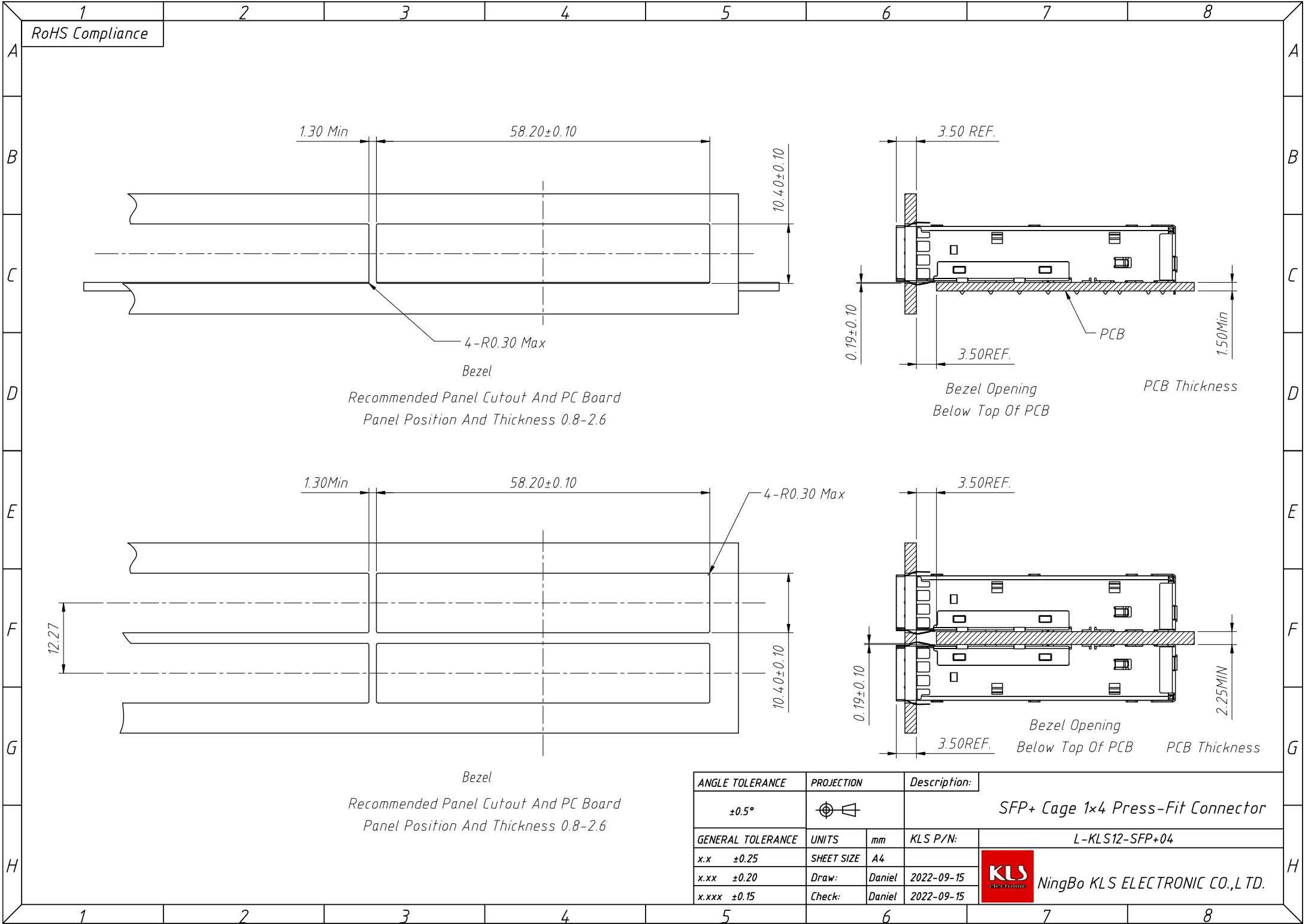


Material:
Cage: Copper Alloy

ANGLE TOLERANCE	PROJECTION	Description:	
±0.5°		SFP+ Cage 1x4 Press-Fit Connector	
GENERAL TOLERANCE	UNITS	mm	KLS P/N:
x.x ±0.25	SHEET SIZE	A4	L-KLS12-SFP+04
x.xx ±0.20	Draw:	Daniel	2022-09-15
x.xxx ±0.15	Check:	Daniel	2022-09-15



1
RoHS Compliance



Bezel
Recommended Panel Cutout And PC Board
Panel Position And Thickness 0.8-2.6

Bezel Opening
Below Top Of PCB
PCB Thickness

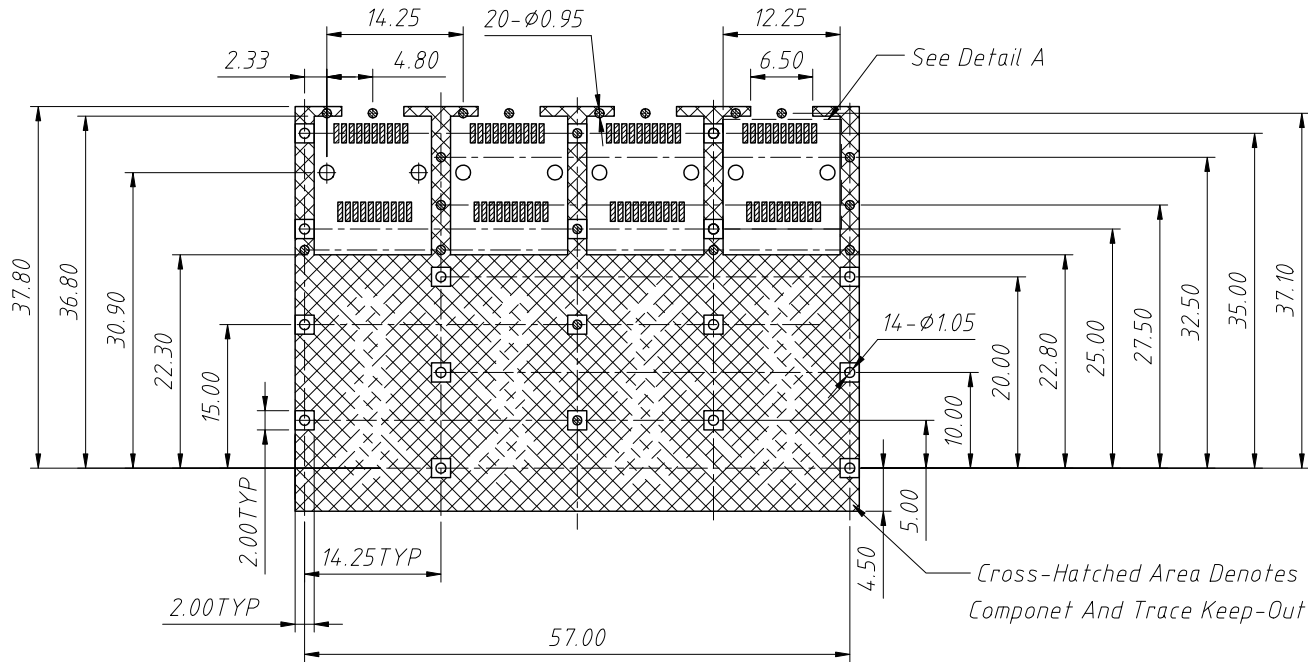
Bezel
Recommended Panel Cutout And PC Board
Panel Position And Thickness 0.8-2.6

Bezel Opening
Below Top Of PCB
PCB Thickness

ANGLE TOLERANCE	PROJECTION	Description:	
±0.5°		SFP+ Cage 1x4 Press-Fit Connector	
GENERAL TOLERANCE	UNITS	mm	KLS P/N:
x.x ±0.25	SHEET SIZE	A4	L-KLS12-SFP+04
x.xx ±0.20	Draw:	Daniel	2022-09-15
x.xxx ±0.15	Check:	Daniel	2022-09-15



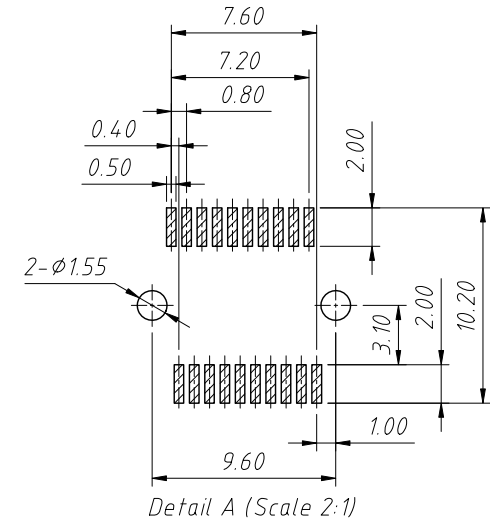
1 RoHS Compliance



Recommended PCB Layout (Component Side)
 Recommended Minimum PCB Thickness: 1.50mm
 (All Tolerances ARE ±0.05)

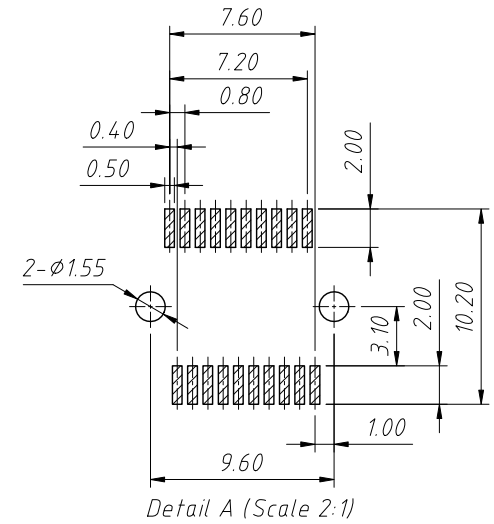
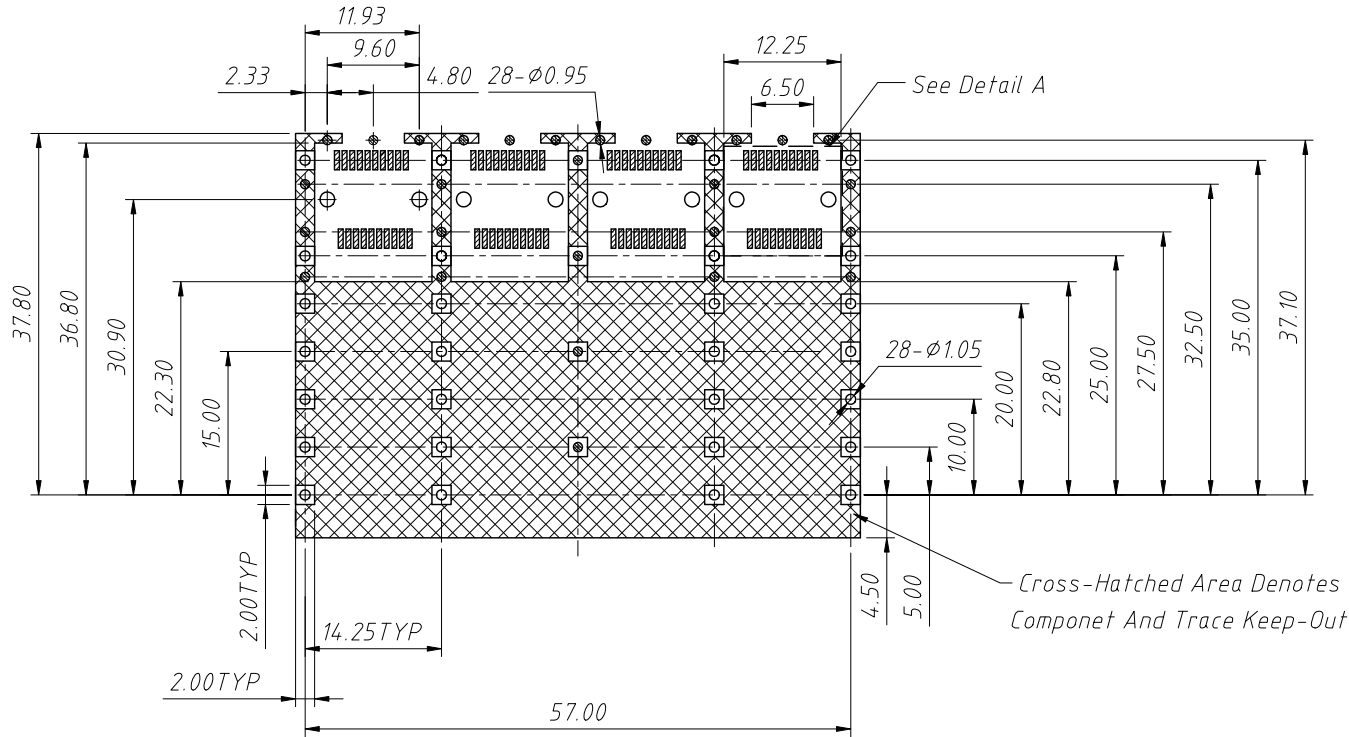
“ □ ● ” All round holes are through holes

Recommended PCB Configuration With Keep-Out
 Areas Single Sided Applications



ANGLE TOLERANCE	PROJECTION	Description:
±0.5°		SFP+ Cage 1x4 Press-Fit Connector
GENERAL TOLERANCE	UNITS	KLS P/N:
x.x ±0.25	mm	L-KLS12-SFP+04
x.xx ±0.20	SHEET SIZE	NingBo KLS ELECTRONIC CO.,LTD.
x.xxx ±0.15	A4	
	Draw:	Daniel 2022-09-15
	Check:	Daniel 2022-09-15

1 RoHS Compliance



Recommended PCB Layout (Component Side)
 Recommended Minimum PCB Thickness: 2.25mm
 (All Tolerances ARE ±0.05)

" □ ● " All round holes are through holes

Recommended PCB Configuration With Keep-Out
 Areas Belly To Belly Applications

ANGLE TOLERANCE	PROJECTION	Description:	
±0.5°		SFP+ Cage 1x4 Press-Fit Connector	
GENERAL TOLERANCE	UNITS	mm	KLS P/N:
x.x ±0.25	SHEET SIZE	A4	L-KLS12-SFP+04
x.xx ±0.20	Draw:	Daniel	2022-09-15
x.xxx ±0.15	Check:	Daniel	2022-09-15

NingBo KLS ELECTRONIC CO.,LTD.