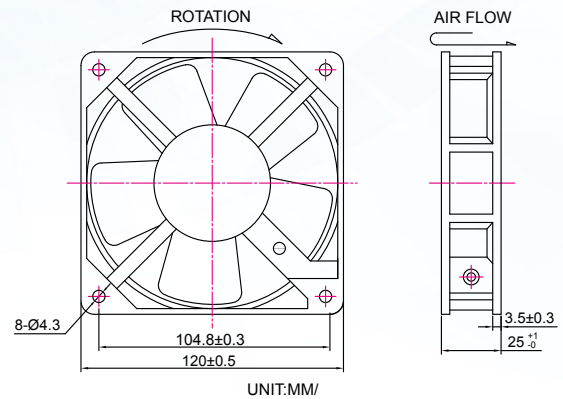


12025 【120x120x25 mm】



AC Fan Series

Dimensions Drawing



Specifications

| Model | Bearing Type | Rated Voltage | Frequency | Rated Current | Power Consumption | Speed Reference | Air Flow | | Static Pressure | | Noise | Weight |
|--------------|--------------|---------------|-----------|---------------|-------------------|-----------------|----------|-----|-----------------|----------|-------|--------|
| | | VAC | Hz | AMP | Watts | RPM | m3/min | CFM | mmH2O | Inch-H2O | dBA | g |
| EC12025A1HBX | Ball | 115 | 60 | 0.13 | 13 | 2200 | 1.36 | 48 | 3.0 | 0.118 | 36 | 330 |
| EC12025A1HSX | Sleeve | | | | | | | | | | | |
| EC12025A2HBX | Ball | 220/240 | 50 | 0.10 | 18 | 2000 | 1.3 | 46 | 2.8 | 0.110 | 35 | 330 |
| EC12025A2HSX | Sleeve | | | | | | | | | | | |

- ▶ X mean : T-Terminal / L - Lead wire
- ▶ Frequency(Hz) : 50 / 60
- ▶ Insulation Resistance : AC 1500V-100MΩ
- ▶ Resist Strength : 1500V/min