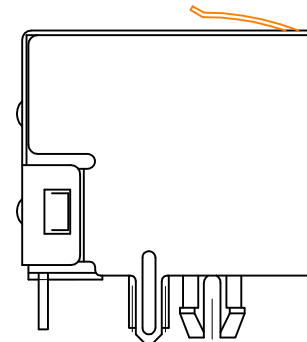


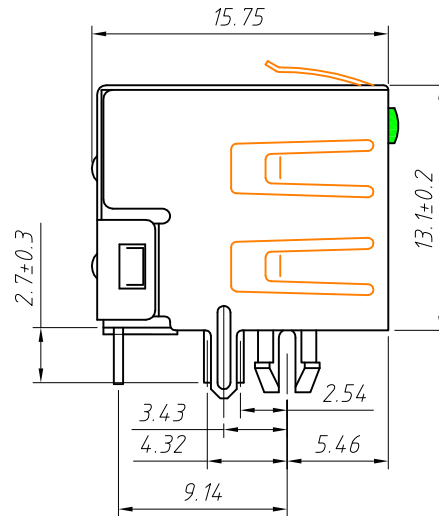
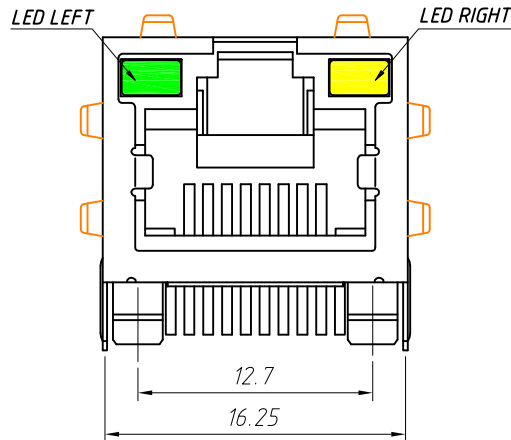
With Shield



TOP EMI Shield

**Material:**  
**Housing:** PBT+Glass Filled Polyester  
**Flammability Rating:** UL 94V-0  
**Contacts:** Phosphor Bronze  $\phi 0.46\text{mm}$   
**Plating:** Gold Plating  
**Shield:** Brass, Tin Plating

**Electrical:**  
**Voltage Rating:** 125VAC  
**Current Rating:** 1.5A  
**Contact Resistance:** 30m $\Omega$  Max.  
**Insulation Resistance:** 500M $\Omega$  Min.  
**Dielectric Strength:** 1000VAC Rms  
 50Hz, 1 Min.  
**Durability:** 600 cycles Min.  
**Operation Temperature:** -40°C ~ +70°C



With EMI Shield

**Order Information**

L-KLS12-108-8P8C- 1x1 -X- G/Y-0-XX

RoHS

Contacts: 8P8C

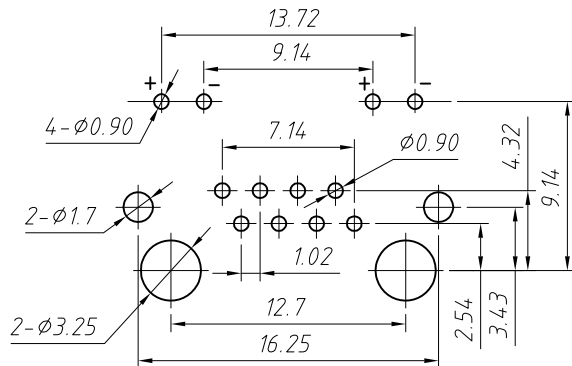
Shield Code:

- 1-with Shield
- 2-with EMI Shield
- 3-TOP EMI Shield

LED Code: LEFT/RIGHT  
 G/Y-Green/Yellow  
 Y/G- Yellow/Green

Plating Code:

- 01-Fu" Gold Plating
- 02-3u" Gold Plating
- 03-6u" Gold Plating
- 04-15u" Gold Plating
- 05-30u" Gold Plating



PCB Layout

GENERAL TOLERANCE	PROJECTION		Description:
X. $\pm 0.30$	UNITS	mm	Modular jacks with LED, RJ45-8P8C 1x1 with SHELL
.X $\pm 0.25$	SCALE	1:1	
.XX $\pm 0.20$	Draw by:	Jenny	KLS P/N: L-KLS12-108-8P8C-1x1-X-X/X-0-XX
ANGLE TOLERANCE	Check by:	Daniel	NingBo KLS ELECTRONIC CO.,LTD.
X. $\pm 3^\circ$	Date	2019-12-26	
.X $\pm 2^\circ$	SHEET	1 OF 1	
.XX $\pm 1^\circ$			