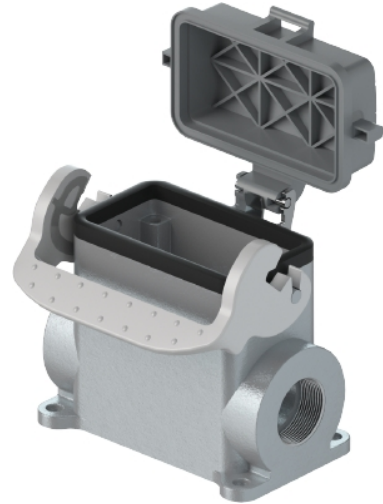


Data sheet

Commercial Art.No.: 73.340.0635.1

Bottom BAS GUT GR 6HM25 69 A1

Bottom-base revos basic made of aluminum, with single locking lever and threaded hole M25 on the right and the left side, with protective cover, high version, 6-polig



Commercial Art.No.	73.340.0635.1
EAN	4015573823235
Order Unit	1

Technical data

General

Housing material	aluminum
Color	Grey
Surface	With powder coating
Degree of protection (IP)	IP65
UV resistant	yes
Inflammability class of insulation material acc. with UL94	Other
Operating temperature range min.	-40 °C
Operating temperature range max.	120 °C

Model

Construction	6H
Locking mechanism	Single locking lever
Cable entry	Two-sided
Type of cable	Thread
With cable screw gland	No
Thread size M	25
Thread size PG	
Hinged lid	yes
EMC-version	No
Length	84 mm
Width	58 mm
Height	72.2 mm

Classification

ECLASS 11	
-----------	--

ECLASS 8.1	27440202
ETIM 7.0	EC000437
ETIM 6.0	EC000437
ETIM 5.0	EC000437
ETIM 4.0	EC000437
ETIM 3.0	EC000437

Product compliance

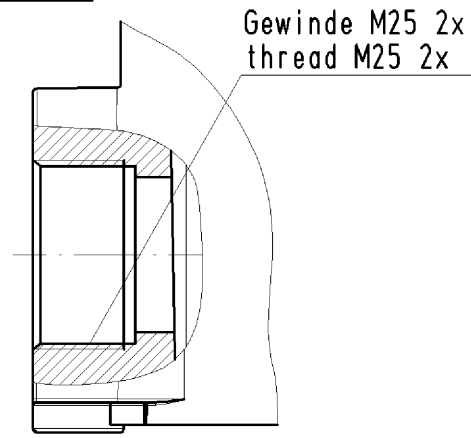
ROHS conformity status	Compliant/Exempted
ROHS exceptions	III-6(a)
REACH-SVHC conformity status	Duty-To-Declare
REACH-SVHC substances	Lead
REACH-SVHC CAS numbers	7439-92-1

Fits with

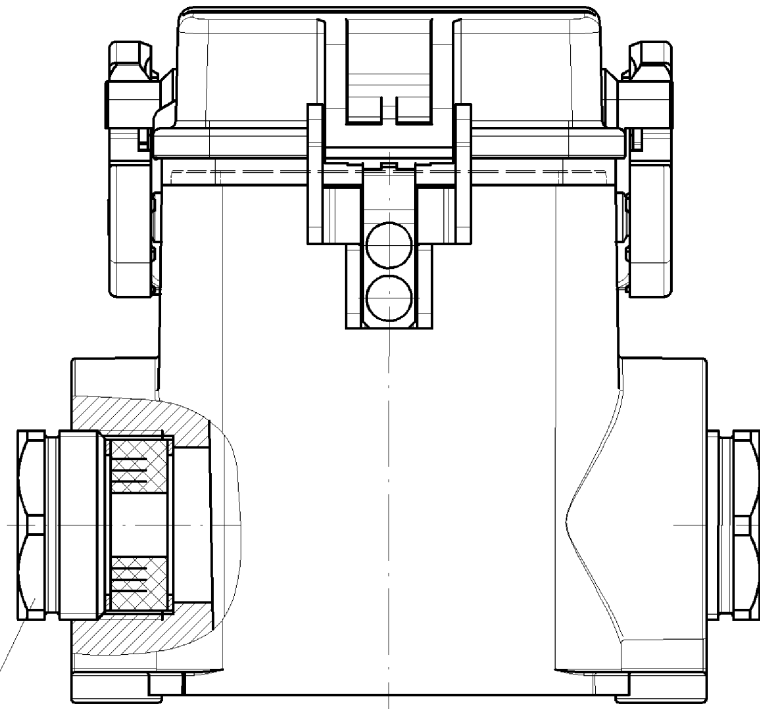
Commercial Art.No.:	Article-type description:	Description:
70.300.0602.0	Female insert BAS BUS 6 2,5 50 AG	Female insert revos basic, 6-poles, rated current: 16A, rated voltage: 500V, with silver-plated contacts
70.300.0640.0	Female insert BAS BUS 6 2,5 50	Female insert revos basic, 6-poles, rated current: 16A, rated voltage: 500V, with tin-plated contacts
70.301.0640.0	Female insert BAS BUS 6 2,5 50 AU	Female insert revos basic, 6-poles, rated current: 16A, rated voltage: 500V, with gold-plated contacts
70.302.0640.0	Female insert BAS BUS OD 6 2,5 50	Female insert revos basic, 6-poles, rated current: 16A, rated voltage: 500V, with tin-plated contacts
70.310.0602.0	Male insert BAS BUS OD 6 2,5 50	Female insert revos basic, 6-poles, rated current: 16A, rated voltage: 500V, with tin-plated contacts
70.310.0640.0	Male insert BAS STS 6 2,5 50	Male insert revos basic, 6-poles, rated current: 16A, rated voltage: 500V, with tin-plated contacts
70.311.0640.0	Male insert BAS STS 6 2,5 50 AU	Male insert revos basic, 6-poles, rated current: 16A, rated voltage: 500V, with gold-plated contacts
70.312.0640.0	Male insert BAS STS OD 6 2,5 50	Male insert revos basic, 6-poles, rated current: 16A, rated voltage: 500V, with tin-plated contacts
70.500.0653.0	Female insert BAS BUF 6 2,5 50	Female insert revos basic, 6-poles, rated current: 16A, rated voltage: 500V, with silver-plated contacts
70.510.0653.0	Male insert BAS STF 6 2,5 50	Male insert revos basic, 6-poles, rated current: 16A, rated voltage: 500V, with tin-plated contacts
70.502.0653.0	Female insert BAS BUM 6 2,5 50 AG	Female insert revos basic, 6-poles, rated current: 16A, rated voltage: 500V, with silver-plated contacts
70.512.0653.0	Male insert BAS STM 6 2,5 50 AG	Male insert revos basic, 6-poles, rated current: 16A, rated voltage: 500V, with silver-plated contacts
70.700.0658.0	Female insert BAS BUC 6 50	Female insert revos basic, 6-poles, rated current: 16A, rated voltage: 500V, with tin-plated contacts
70.710.0658.0	Male insert BAS STC 6 50	Male insert revos basic, 6-poles, rated current: 16A, rated voltage: 500V, with tin-plated contacts
72.300.0653.0	Female insert BAS BUS 6 2,5 69	Female insert revos basic, 6-poles, rated current: 16A, rated voltage: 690V, with tin-plated contacts
72.310.0653.0	Male insert BAS STS 6 2,5 69	Male insert revos basic, 6-poles, rated current: 16A, rated voltage: 690V, with tin-plated contacts
72.700.0658.0	Female insert BAS BUC 6 69	Female insert revos basic, 6-poles, rated current: 16A, rated voltage: 690V, with tin-plated contacts
72.710.0658.0	Male insert BAS STC 6 69	Male insert revos basic, 6-poles, rated current: 16A, rated voltage: 690V, with tin-plated contacts

73.800.2453.0	Female insert DD BUC 24 1,5 25	revos DD 24 pole + ground, female insert 250V/10A, crimp connection
73.810.2453.0	Male insert DD STC 24 1,5 25	revos DD 24 pole + ground, male insert 250V/10A, crimp connection
70.405.0653.0	Female insert BAS BUP 6 2,5 50 AG	Female insert revos basic, 6-poles, rated current: 16A, rated voltage: 500V, with silver-plated contacts
70.415.0653.0	Male insert BAS STP 6 2,5 50 AG	Male insert revos basic, 6-poles, rated current: 16A, rated voltage: 500V, with silver-plated contacts
70.810.1056.0	Male insert BAS STCK 10 50 PC	Male insert revos basic, 10-poles, polycarbonate insert, rated current: 16A, rated voltage: 500V, with gold-plated or silver-plated contacts

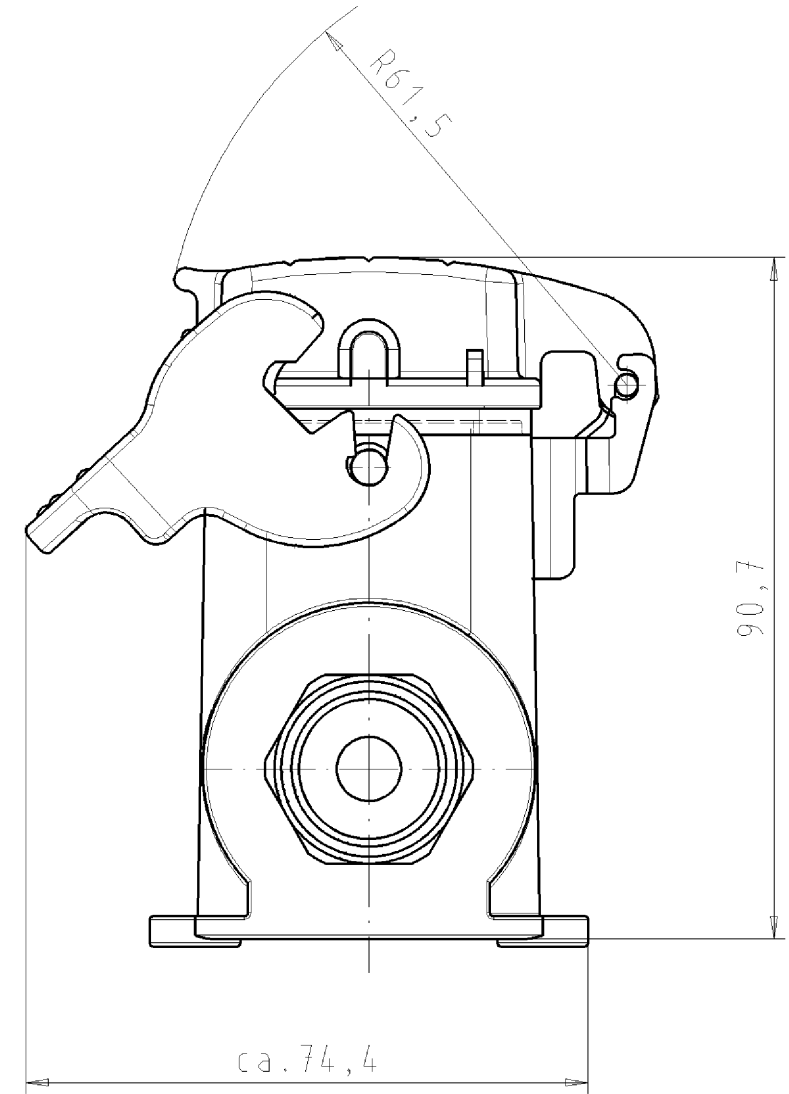
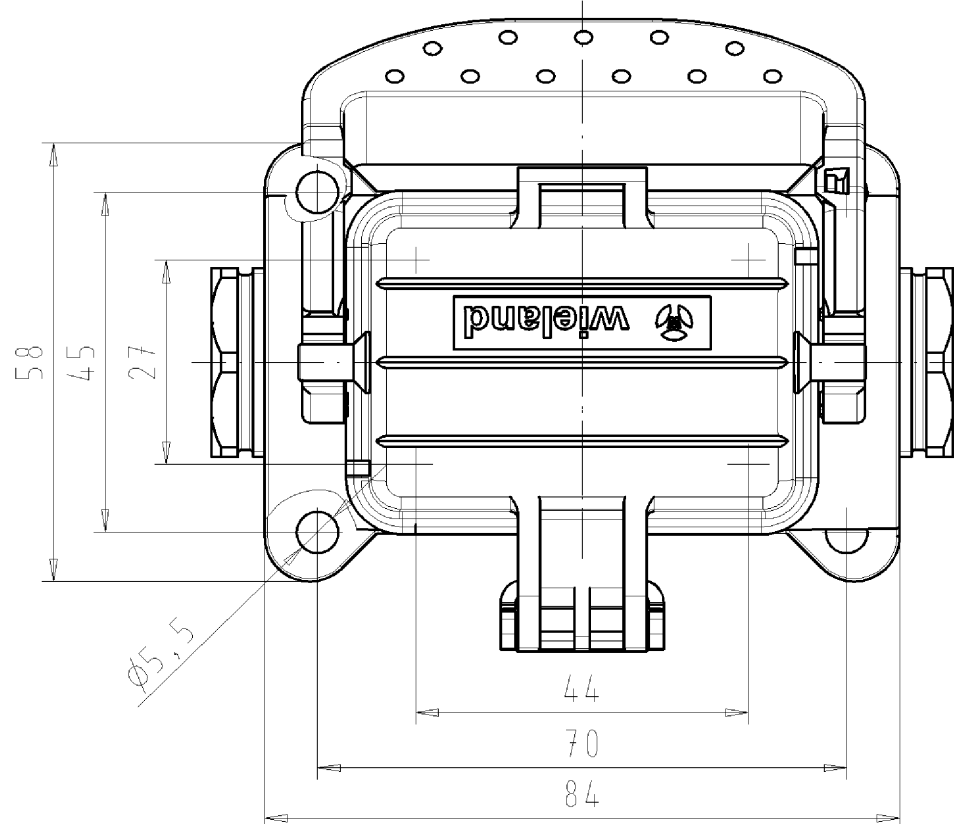
Ausführung .1
version .1



Gezeichnete Ausführung .0 / version .0



Verschraubung M25 2x
screw connection M25 2x



weitere Daten siehe Katalog
further data see catalog

Teile-Nr. part-no.	Typ type
73.340.0635.0	BAS GUT GR 6HM25 69 A0
73.340.0635.1	BAS GUT GR 6HM25 69 A1

Freitoleranz nach -		CAD - Zeichnung, keine manuellen Änderungen			1. Verwendung: -		Bl.: 1 von 1	
	/	Maßstab	Werkstoff und Oberfläche:		2004	Tag	Name	
	/	%			Entworfen	12.11.	Duetsch T.	
	/				Geprüft	-		
	/	Vol.	mm ³	Oft.	mm ²	Normgepr.	-	Ersatz für: -
	/	wieland		Benennung		GEHAEUSEUNTERTEIL		
Buchstabe	Datum / Blatt	Elektrische Verbindungen		HOUSING LOWER PART		Größe/size 6 2x M25 mit Deckel/with cover		
Änderung								

○ Diese Maße werden bei Abnahme besonders geprüft
○ Ausschließlich Prüfmaße
○ MTL/Æ Rekanzeichnete Maße sind nur für interne Zwecke gültig

Weitergabe sowie Vervielfältigung dieses Dokuments, Verwertung und Mitteilung seines Inhalts sind verboten, soweit nicht ausdrücklich gestattet.
The reproduction, distribution and utilization of this document as well as the communication of its contents to others without express authorization is prohibited.

733400635001K_4_CADW027_duetsch 2004-11-12T14:31:05 1.000