

Data sheet

Commercial Art.No.: 96.051.4554.3

Connector RST25i5S B1 ZR3S BG03

RST25i5 connector, 5 pole, screw connection, application 250/400V with PE, 25A, for cable diameters 13-18mm, coding color concrete grey, color of housing black



Commercial Art.No.	96.051.4554.3
EAN	4015573889958
Order Unit	1

Certificates / Approvals



LR

RINA



Technical data

General

Rated current	25 A
Rated voltage	250 V / 400 V
Rated impulse voltage	4 kV
strain relief	yes
Pollution degree	3
Lockable	self-locking (unlocking by tool)
Color of coding/ contact carrier	concrete grey
Marking of poles	L, N, PE, 1, 2
Color of housing inclusive strain relief	black

Connection Data

Cable diameter max.	18 mm
Cable diameter min.	13 mm
Connection cross section solid mm ² max.	4 mm ²
Connection cross section solid mm ² min.	0.75 mm ²
Connection cross section solid AWG min.	18 AWG
Connection cross section solid AWG max.	14 AWG
Connection cross section fine stranded mm ² max.	4 mm ²
Connection cross section fine stranded mm ² min.	0.75 mm ²
Terminations per pole	1
sheath strip length	37 mm
Wire strip length	8 mm

Model

Model	female
Connection type	screw connection

Degree of protection (IP)	IP66/68 (3m;2h) /IP69
---------------------------	-----------------------

Material

Housing material	Polyamide
halogen free	yes
Contact material	CuZn
Fire load	0.367 kWh
Insulation components continuous temperature	100 °C
Surface finish	Silver-plated

Dimensions

Length	96.6 mm
Width	35.4 mm
Height	35.4 mm

Classification

ECLASS 11	
ECLASS 8.1	27440605
ETIM 7.0	EC002560
ETIM 6.0	EC002560
ETIM 5.0	EC002560
ETIM 4.0	EC002560

Note

Note	fine-stranded and stranded wires have to be used without ferrules
------	---

Product compliance

ROHS conformity status	Compliant/Exempted
ROHS exceptions	III-6(c)
REACH-SVHC conformity status	Duty-To-Declare
REACH-SVHC substances	Lead
REACH-SVHC CAS numbers	7439-92-1

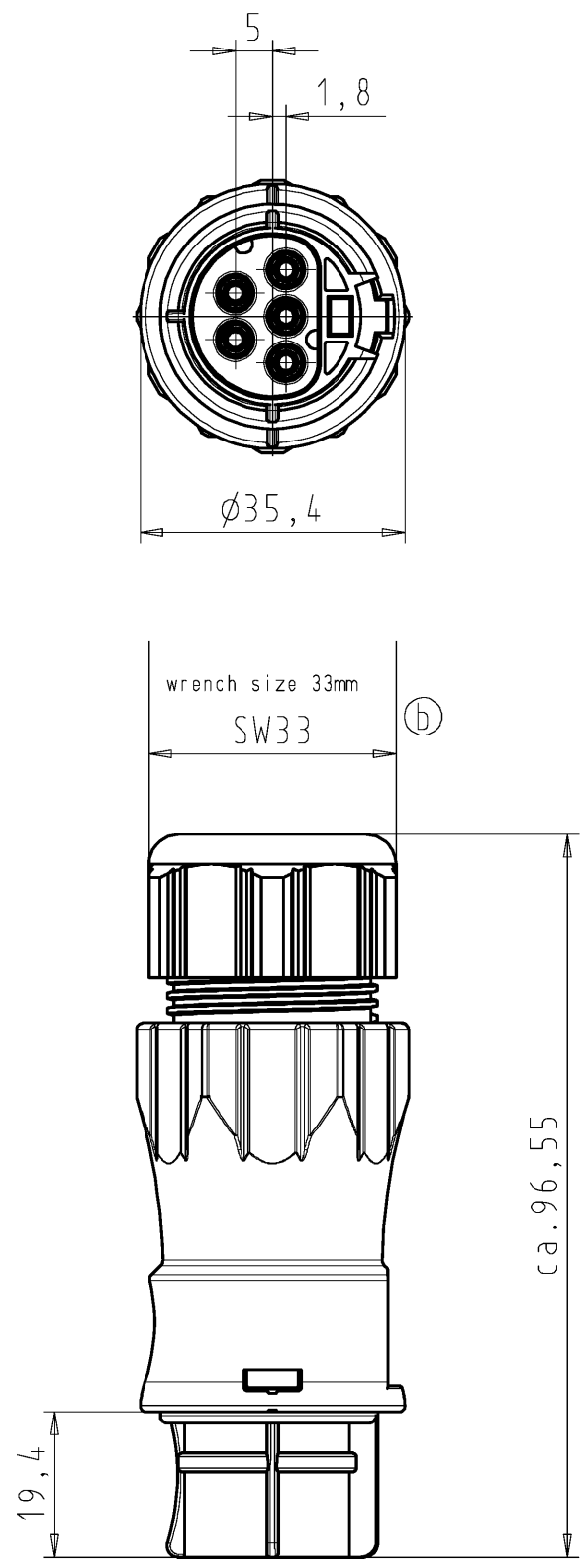
Fits with

Commercial Art.No.:	Article-type description:	Description:
96.834.1000.3	Cable assembly RST25I3KSBS 40P 10BG03	RST25i3 extension cable female - male, 3 pole, assembled with screw connection, application 250V with PE, 25A, cable type H05VV-F, length 1.0m, cross section 4.0mm ² , coding color concrete grey
96.052.4554.3	Connector RST25I5S S1 ZR3SV BG03	RST25i5 connector, 5 pole, screw connection, application 250/400V with PE, 25A, for cable diameters 13-18mm, coding color concrete grey, color of housing black
96.052.5054.3	Device connector RST25I5S S1 M01V BG03	RST25i5 device connector M25, 5 pole, male, screw connection, application 250/400V with PE, 25A, coding color concrete grey
96.052.6054.3	Device connector RST25I5S S1 M00V BG03	RST25i5 device connector M20, 5 pole, male, screw connection, modular, application 250/400V with PE, 25A, coding color concrete grey, color of housing black
96.052.6154.3	Device connector RST25I5S S1 M03V BG03	RST25i5 device connector M16, 5 pole, male, screw connection, modular, application 250/400V with PE, 25A, coding color concrete grey, color of housing black

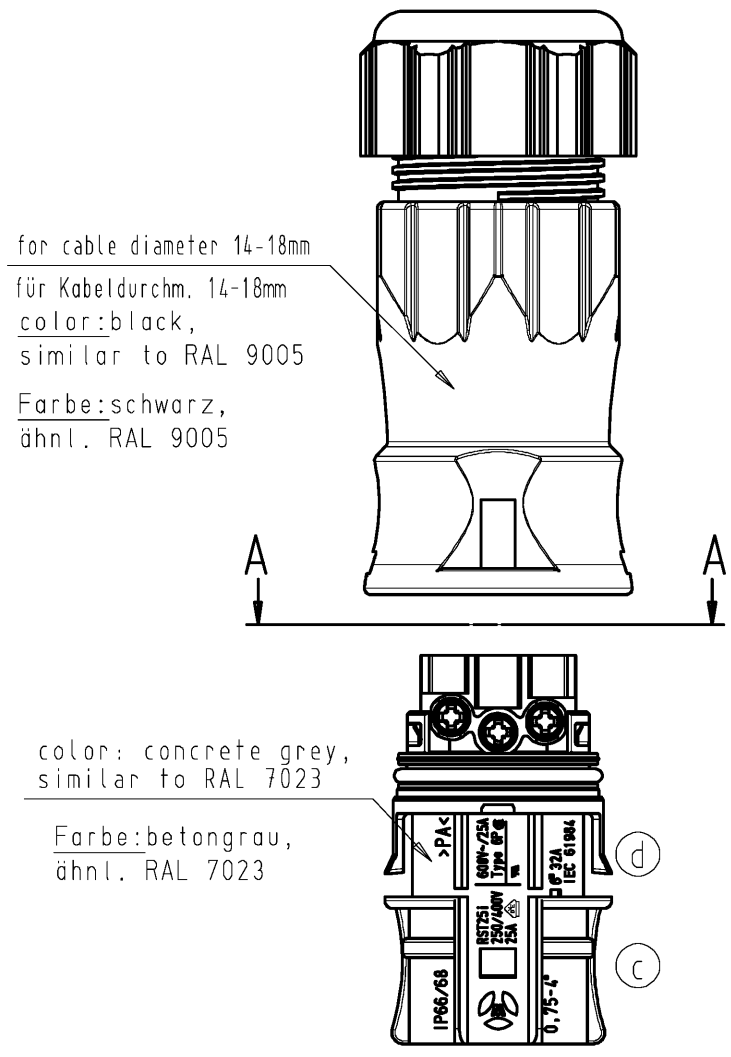
96.054.6054.3	Device connector RST25I5S S1 M90V BG03	RST25i5 device connector (90° angled) M20, 5 pole, male, screw connection, modular, application 250/400V with PE, 25A, coding color concrete grey, color of housing black
96.054.6254.3	Device connector RST25I5S S1 M91V BG03	RST25i5 device connector (90° angled) M25, 5 pole, male, screw connection, modular, application 250/400V with PE, 25A, coding color concrete grey, color of housing black

These dimensions will be especially checked at delivery
Only inspection dimensions
With /E marked dimensions are only valid for internal use

Diese Maße werden bei Abnahme besonders geprüft
Ausschließlich Prüfmaße
Mit /E gekennzeichnete Maße sind nur für interne Zwecke gültig



Auslieferungszustand delivery status

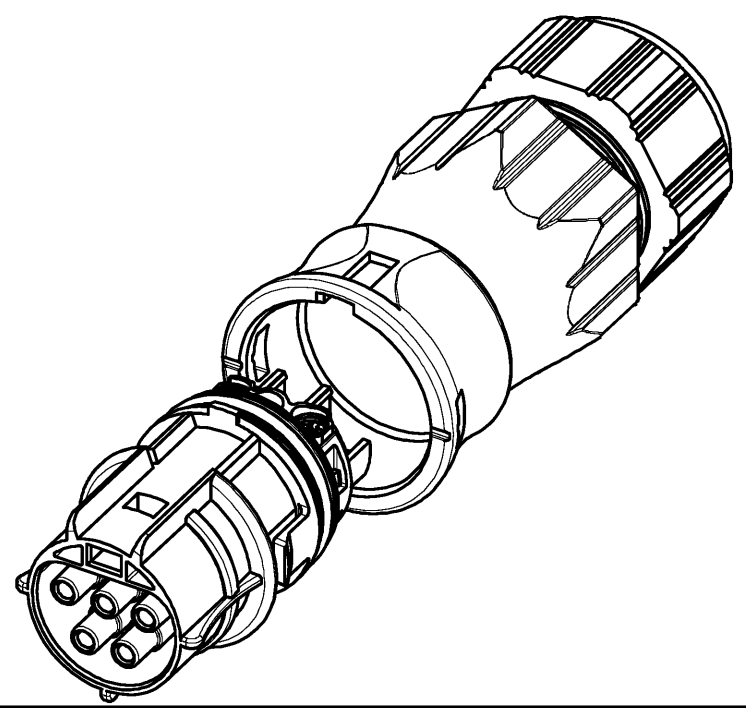
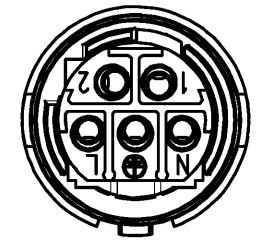


for cable diameter 14-18mm
für Kabeldurchm. 14-18mm
color: black,
similar to RAL 9005
Farbe: schwarz,
ähnl. RAL 9005

color: concrete grey,
similar to RAL 7023
Farbe: betongrau,
ähnl. RAL 7023

Verpackungseinheit: je 100 Stück
packaging unit: per 100

A-A



Type: RST25I5S B1 ZR3SV^a BG03

Tolerierung Size ISO 14405 ^E /Tolerance system Size ISO 14405 ^E . (This ISO-standard describes the envelope principle. According to the envelope principle the deviations of form and parallelism are limited by the size tolerances).		nein/no <input checked="" type="checkbox"/> Stoffverbots- und Deklarationsliste nach WN 5020.010 ist einzuhalten. Conformity with Wieland document WN 5020.010 e (list of prohibited / declarable hazardous substances) to be declared!	
Freitoleranz nach General tolerance		CAD - Zeichnung, keine manuellen Änderungen CAD - drawing, no manual modifications allowed	1. Verwendung: - First Use:
Blatt: 1 von 1 Sheet: 1 of 1		Zeichnung Nr./Drawing No. 96.051.4554.3 01K d	
Werkstoff/Material		2006 Tag/Date	Name
Maßstab/Scale		gezeichnet drawn	24.01. Kneitz
1:1		geprüft checked	-
d 07.01.2015/		Normgepr. Stand. check	-
c 03.02.2011/		Ersatz für/Replacement for: -	
b 21.02.2006/		Type	
a 07.02.2006/		Benennung/Title	
Index Datum / Blatt Date / Sheet		BUCHSENTE IL MIT ZUGENTLASTUNG female connector with cord grip Schraubanschluss ohne Drahtschutz/screw-connection without wire protection Kodierung/keying 3 (250V/25A)	
Änderung/Revision		www.wieland-electric.com	

Weitergabe sowie Vervielfältigung dieses Dokuments, Verwertung und Mitteilung seines Inhalts sind verboten, soweit nicht ausdrücklich gestattet.
The reproduction, distribution and utilization of this document as well as the communication of its contents to others without express authorization is prohibited.