

# PRODUCT SPECIFICATION

**Model No.: FYL-3014IRAC1A**

Descriptions:
<ul style="list-style-type: none"> <li>■ Dice material: AlGaAs.</li> <li>■ Emitting Color: Infrared.</li> <li>■ Device Outline: Φ3mm round type.</li> <li>■ Lens Type: Water clear.</li> </ul>



CUSTOMER APPROVED SIGNATURES	APPROVED BY	CHECKED BY	PREPARED BY

**NINGBO FORYARD OPTOELECTRONICS CO.,LTD.**

**Add:**No. 666 Jinghua Road, Hi-tech Park, Ningbo, Zhejiang, China

**Zip:**315103

**Tel:** 0086-574-87933652 87922206 87927870

**Fax:** 0086-574-87927917

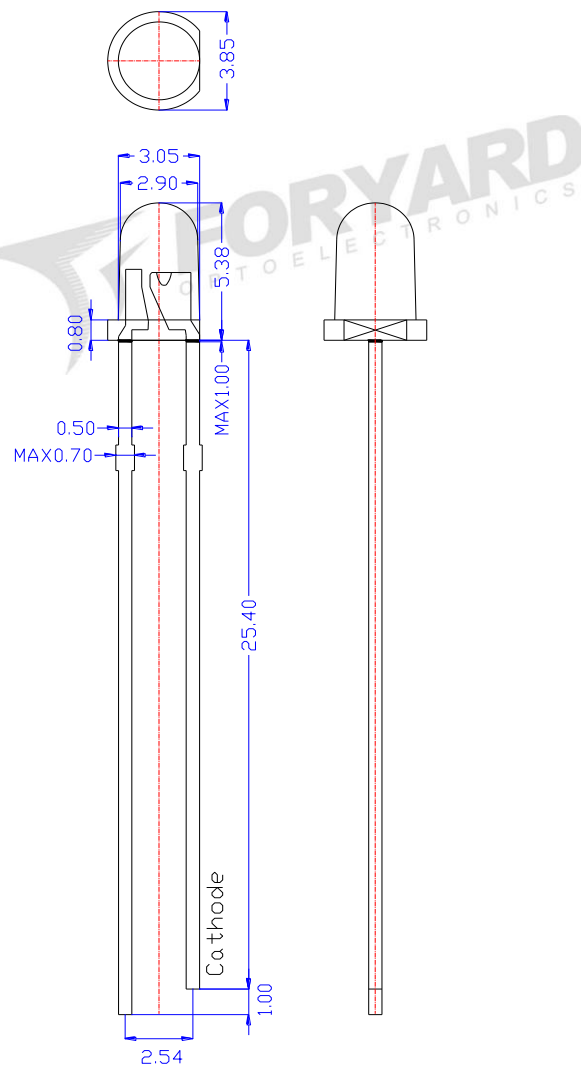
**E-mail:**Sales@foryard.com (General)

**Model No.: FYL-3014IRAC1A**

**■ Features**

- 1.Low power consumption.
- 2.High efficiency.
- 3.General purpose leads.
- 4.High intensity.
- 5.RoHs compliant.

**■ Package configuration**



**Notes:**

1. All dimensions are millimeters (inches)
2. Tolerance is  $\pm 0.25\text{mm}(.010\text{'})$  unless otherwise noted.
3. The specifications, characteristics and technical data described in the datasheet are subject to change without prior notice.
- 4.The drawing is different from the actual one, please refer to the sample.

Model No.: FYL-3014IRAC1A

### ■ Absolute Maximum Ratings(Ta=25°C)

Parameter	Symbol	MAX.	Test Condition	Unit
Power Dissipation	Pd	100	---	mW
Peak Forward Current (1/10 Duty Cycle, 0.1ms Pulse Width)	IFM	800	Duty=0.01ms 1khz	mA
Reverse Voltage	VR	9	IR=10UA	V
Operating Temperature Range	-40°C to +85°C			
Storage Temperature Range	-40°C to +100°C			
Lead Soldering Temperature[4mm(.157") From Body]	260°C for 5 Seconds			

### ■ Typical Electrical & Optical Characteristics(Ta=25°C)

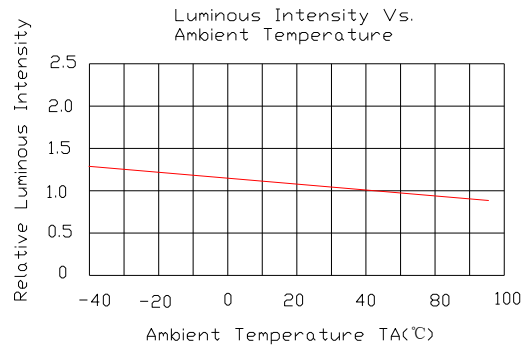
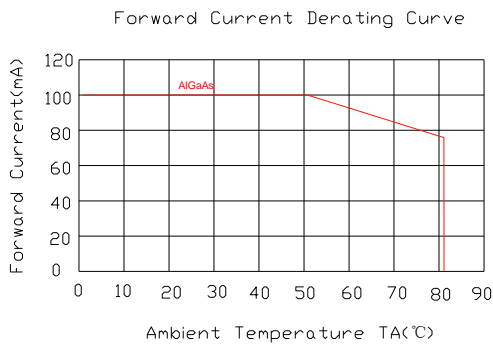
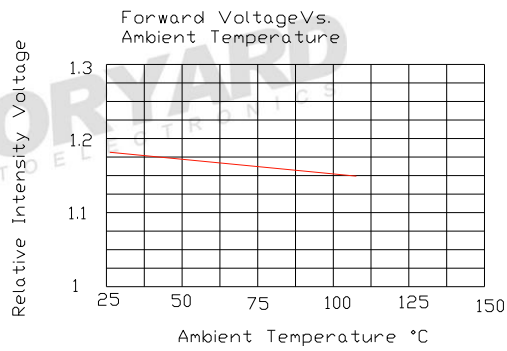
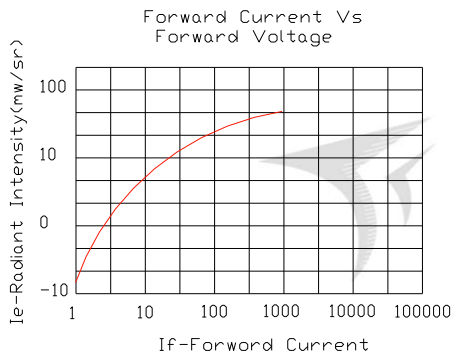
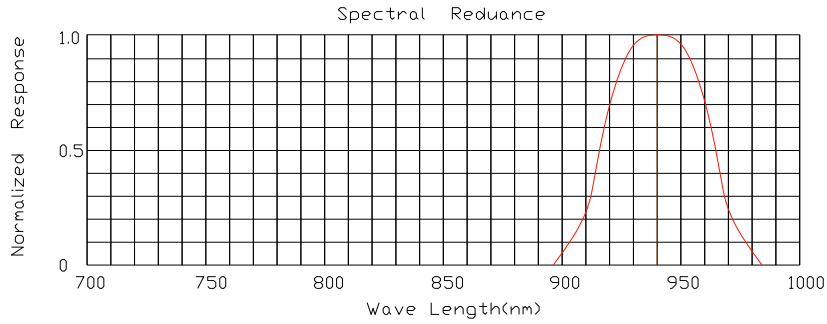
Parameter	Symbol	Min.	Typ.	Max.	Unit	Test Condition
Radiant Intensity	Ee	10	20	---	mW/sr	IF=50mA
Viewing Angle	2θ <sub>1/2</sub>	---	40	---	Deg	
Peak Emission Wavelength	λ <sub>p</sub>	---	940	---	nm	
Spectral Line Half-Width	Δλ	40	45	50	nm	
Forward Voltage	V <sub>F</sub>	---	1.3	1.5	V	VR=5V
Reverse Current	I <sub>R</sub>	---	---	10	μA	

Note:

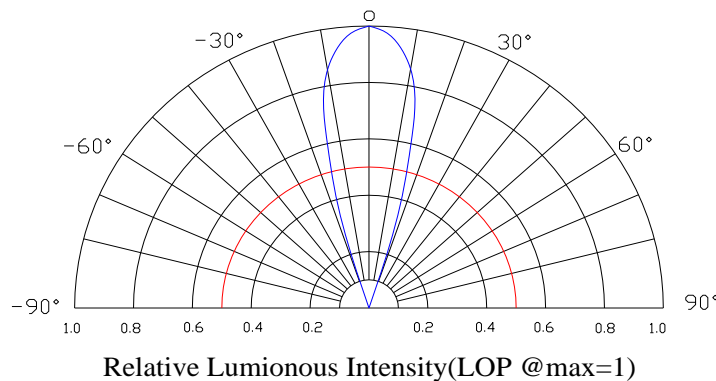
- 1.Luminous Intensity is based on the Foryard standards.
- 2.Pay attention about static for InGaN

**Model No.: FYL-3014IRAC1A**

**Typical Electrical/Optical Characteristics Curves(Ta=25°C Unless Otherwise Noted)**

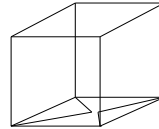
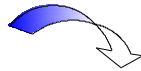


**Radiation pattern**

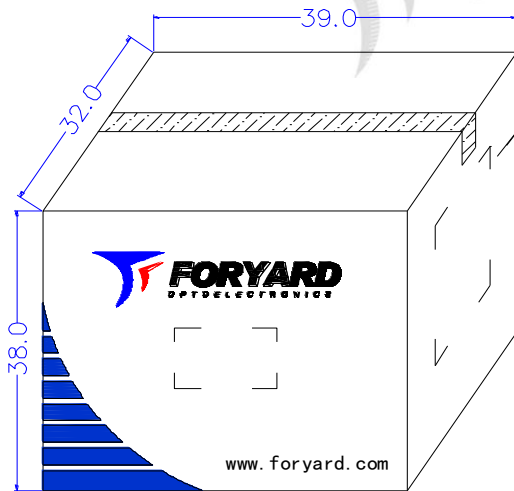


**Model No.: FYL-3014IRAC1A**

**LAMP PACKING.**

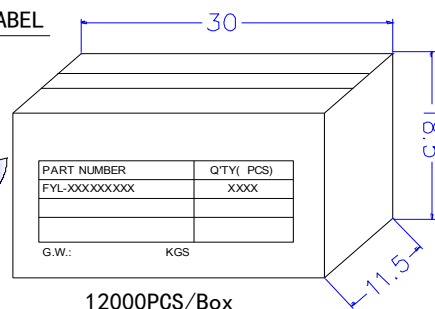


3mm 1000PCS/Polybag



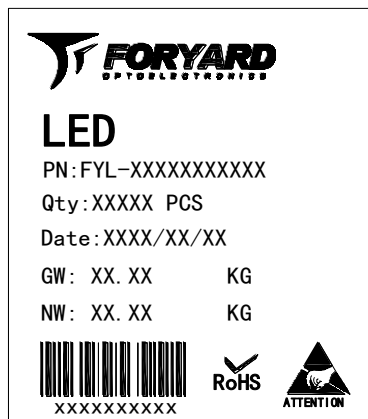
72000PCS/Carton

OUTSIDE LABEL



12000PCS/Box

PART NUMBER	Q'TY( PCS)
FYL-XXXXXXXXXX	XXXX
G.W.:	KGS



OUTSIDE LABEL

Note: The specifications are subject to change without notice. Please contact us for updated information.