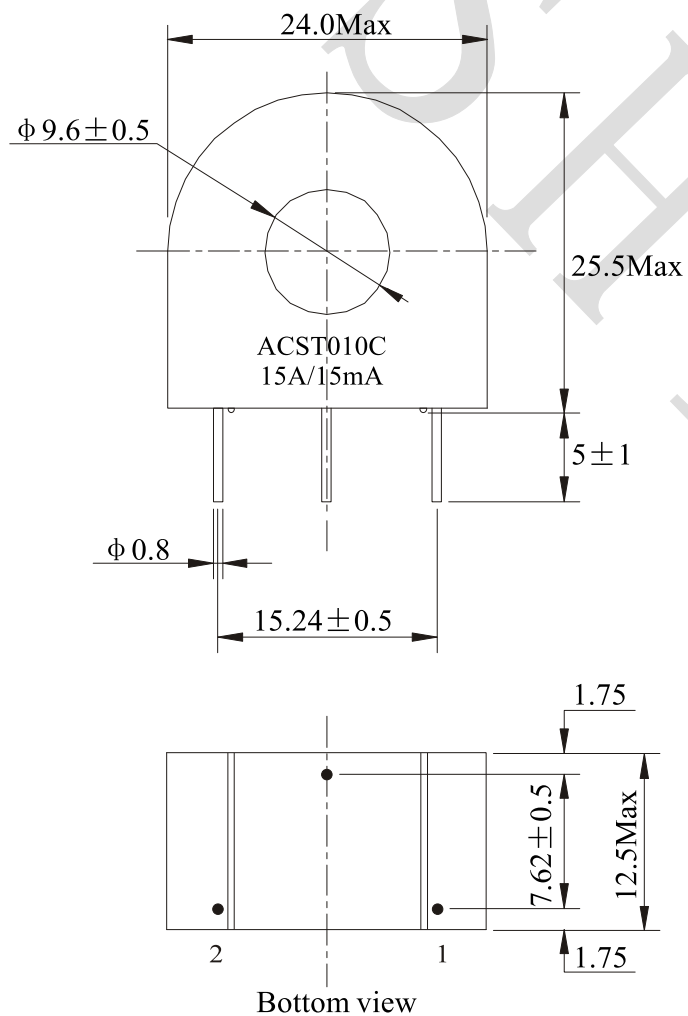


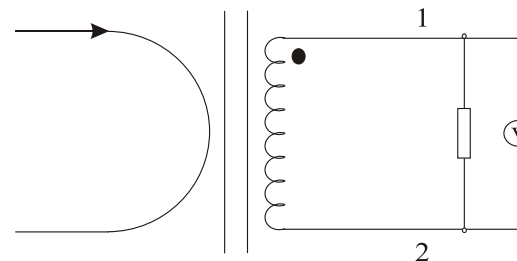


### 1. PHYSICAL CHARACTERISTICS( mm)



NOTES:  
Temp 20°C 48%RH  
RoHS Compliant

### 2. ELECTRONICAL SCHEMATIC



### 3. ELECTRONICAL SPECIFICATIONS

Turns ratio: 1000:1  
Rated current: 15A  
Output current: 15mA  
Hi-Pot: Pri to Sec AC4KV 1mA 1Min  
RDC: 41.8  $\Omega$   $\pm$  15% @ T=20°C  
Operating temperature: -55°C to 130°C

### 4. MATERIAL LIST

NO	Materials	Specifications	Supplier
1	Shell	PC	SHANGHAIDALONG
2	Wire	2UEW	PENGTAI
3	Core	Ultramicro crystal	ZHONGTIANKELIN
4	Epoxy	9241#(A:B)	TAINJINQIAO

NAME:		Current transformer	
CUSTOMER P/N:	AC1015	DATE:	2022-07-04
SHINHOM P/N:	ACST010C-15A-15mA	REV: A0	PAGE
DRAWN BY	CHECKED BY	APPROVE BY	



**SHINHOM**  
SHAANXISHINHOM ENTERPRISE CO.LTD

The Document property belong to SHINHOM & is not allowed to be duplicated without authorization