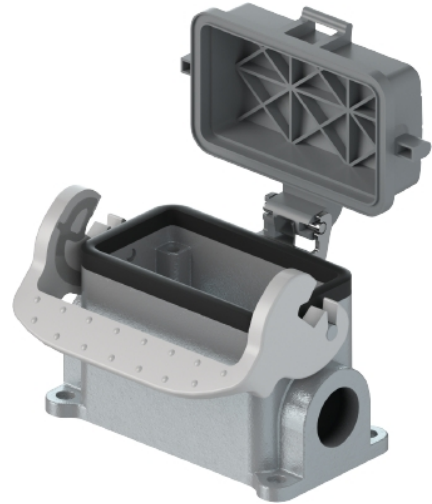


Data sheet

Commercial Art.No.: 71.341.1035.1

Bottom BAS GUT GS 10 M20 A1

Bottom-base revos basic made of aluminum, with single locking lever and threaded hole M20 on the left side, with protective cover, low version, 10-polig



Commercial Art.No.	71.341.1035.1
EAN	4015573624481
Order Unit	1

Certificates / Approvals



Technical data

General

Housing material	aluminum
Color	Grey
Surface	With powder coating
Degree of protection (IP)	Other
UV resistant	yes
Inflammability class of insulation material acc. with UL94	Other
Operating temperature range min.	-40 °C
Operating temperature range max.	120 °C

Model

Construction	10
Locking mechanism	Single locking lever
Cable entry	Sideways
Type of cable	Thread
With cable screw gland	No
Thread size M	20
Thread size PG	
Hinged lid	yes
EMC-version	No
Length	94 mm
Width	52 mm
Height	55 mm

Classification

ECLASS 11	
ECLASS 8.1	27440202
ETIM 7.0	EC000437
ETIM 6.0	EC000437
ETIM 5.0	EC000437
ETIM 4.0	EC000437
ETIM 3.0	EC000437

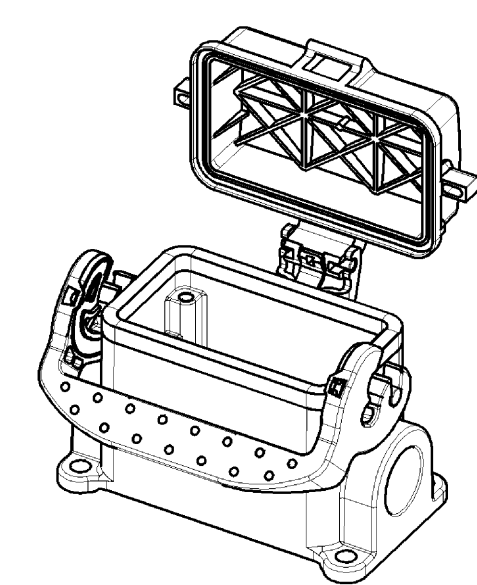
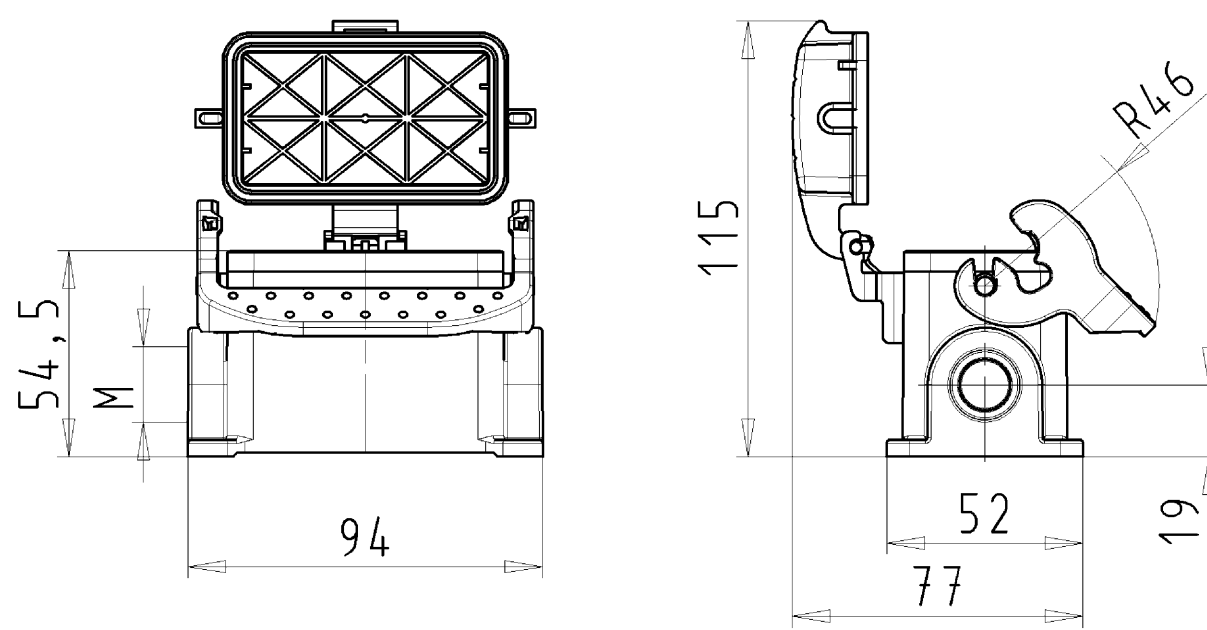
Product compliance

ROHS conformity status	Compliant/Exempted
ROHS exceptions	III-6(a)
REACH-SVHC conformity status	Duty-To-Declare
REACH-SVHC substances	Lead
REACH-SVHC CAS numbers	7439-92-1

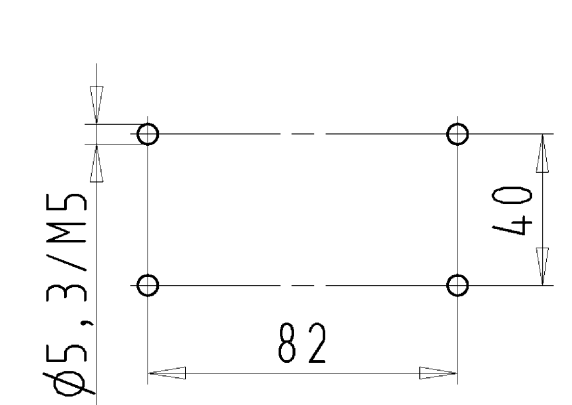
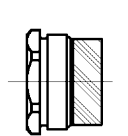
Fits with

Commercial Art.No.:	Article-type description:	Description:
70.100.1053.3	Multipole adapter BAS BAS LL 10 4,0 50	Multipole adapter revos BASIC 500V/16A screw connection 10 pole + ground, long design, female insert, ground right
70.100.1053.4	Multipole adapter BAS BAS KL 10 4,0 50	Multipole adapter revos BASIC 500V/16A screw connection 10 pole + ground, short design, female insert, ground right
70.105.1053.3	Multipole adapter BAS BAS LR 10 4,0 50	Multipole adapter revos BASIC 500V/16A screw connection 10 pole + ground, long design, male insert, ground left
70.105.1053.4	Multipole adapter BAS BAS KR 10 4,0 50	Multipole adapter revos BASIC 500V/16A screw connection 10 pole + ground, short design, male insert, ground left
70.110.1053.3	Multipole adapter BAS SAS LL 10 4,0 50	Multipole adapter revos BASIC 500V/16A screw connection 10 pole + ground, long design, male insert, ground left
70.110.1053.4	Multipole adapter BAS SAS KL 10 4,0 50	Multipole adapter revos BASIC 500V/16A screw connection 10 pole + ground, short design, male insert, ground right
70.115.1053.3	Multipole adapter BAS SAS LR 10 4,0 50	Multipole adapter revos BASIC 500V/16A screw connection 10 pole + ground, long design, female insert, ground left
70.115.1053.4	Multipole adapter BAS SAS KR 10 4,0 50	Multipole adapter revos BASIC 500V/16A screw connection 10 pole + ground, short design, female insert, ground left
70.101.1053.0	Multipole adapter BAS BAF KL 10 2,5 50	Multipole adapter revos BASIC 500V/16A spring clamp connection 10 pole + ground, short design, female insert, ground left
70.106.1053.0	Multipole adapter BAS BAF KR 10 2,5 50	Multipole adapter revos BASIC 500V/16A spring clamp connection 10 pole + ground, short design, female insert, ground right
70.111.1053.0	Multipole adapter BAS SAF KL 10 2,5 50	Multipole adapter revos BASIC 500V/16A spring clamp connection 10 pole + ground, short design, male insert, ground left
70.116.1053.0	Multipole adapter BAS SAF KR 10 2,5 50	Multipole adapter revos BASIC 500V/16A spring clamp connection 10 pole + ground, short design, male insert, ground right
70.300.1040.0	Female insert BAS BUS 10 2,5 50	Female insert revos basic, 10-poles, rated current: 16A, rated voltage:500V, with tin-plated contacts
70.301.1040.0	Female insert BAS BUS 10 2,5 50 AU	Female insert revos basic, 10-poles, rated current: 16A, rated voltage:500V, with gold-plated contacts
70.302.1040.0	Female insert BAS BUS OD 10 2,5 50	Female insert revos basic, 10-poles, rated current: 16A, rated voltage:500V, with tin-plated contacts
70.310.1040.0	Male insert BAS STS 10 2,5 50	Male insert revos basic, 10-poles, rated current: 16A, rated voltage: 500V, with tin-plated contacts
70.311.1040.0	Male insert BAS STS 10 2,5 50 AU	Male insert revos basic, 10-poles, rated current: 16A, rated voltage: 500V, with gold-plated contacts

70.312.1040.0	Male insert BAS STS OD 10 2,5 50	Male insert revos basic, 10-poles, rated current: 16A, rated voltage: 500V, with tin-plated contacts
70.500.1053.0	Female insert BAS BUF 10 2,5 50	Female insert revos basic, 10-poles, rated current: 16A, rated voltage:500V, with silver-plated contacts
70.510.1053.0	Male insert BAS STF 10 2,5 50	Male insert revos basic, 10-poles, rated current: 16A, rated voltage: 500V, with tin-plated contacts
70.700.1058.0	Female insert BAS BUC 10 50	Female insert revos basic, 10-poles, rated current: 16A, rated voltage:500V, with tin-plated contacts
70.710.1058.0	Male insert BAS STC 10 50	Male insert revos basic, 10-poles, rated current: 16A, rated voltage: 500V, with tin-plated contacts
70.800.1856.0	Female insert BAS BUCK 18 50 PC	Female insert revos basic, 18-poles, polycarbonate insert, rated current: 16A, rated voltage: 500V, with gold-plated or silver-plated contacts
70.810.1856.0	Male insert BAS STCK 18 50 PC	Male insert revos basic, 18-poles, polycarbonate insert, rated current: 16A, rated voltage: 500V, with gold-plated or silver-plated contacts
70.400.0340.0	Female insert BAS BUS 3 2,5 64	Female insert revos basic, 3-poles, rated current: 16A, rated voltage: 690V, with tin-plated contacts
70.410.0340.0	Male insert BAS STS 3 2,5 64	Male insert revos basic, 3-poles, rated current: 16A, rated voltage: 690V, with tin-plated contacts
72.300.1053.0	Female insert BAS BUS 10 2,5 69	Female insert revos basic, 10-poles, rated current: 16A, rated voltage:690V, with tin-plated contacts
72.310.1053.0	Male insert BAS STS 10 2,5 69	Male insert revos basic, 10-poles, rated current: 16A, rated voltage: 690V, with tin-plated contacts
72.700.1058.0	Female insert BAS BUC 10 69	Female insert revos basic, 10-poles, rated current: 16A, rated voltage:690V, with tin-plated contacts
72.710.1058.0	Male insert BAS STC 10 69	Male insert revos basic, 10-poles, rated current: 16A, rated voltage: 690V, with tin-plated contacts
70.506.0353.0	Female insert BAS BUF 3 2,5 83 AG	Female insert revos basic, 3-poles, rated current: 16A, rated voltage: 830V, with silver-plated contacts
70.516.0353.0	Male insert BAS STF 3 2,5 83 AG	Male insert revos basic, 3-poles, rated current: 16A, rated voltage: 830V, with silver-plated contacts
73.800.4253.0	Female insert DD BUC 42 1,5 25	revos DD 42 pole + ground, female insert 250V/10A, crimp connection
73.810.4253.0	Male insert DD STC 42 1,5 25	revos DD 42 pole + ground, male insert 250V/10A, crimp connection
70.405.1053.0	Female insert BAS BUP 10 2,5 50 AG	Female insert revos basic, 10-poles, rated current: 16A, rated voltage:500V, with silver-plated contacts
70.415.1053.0	Male insert BAS STP 10 2,5 50 AG	Male insert revos basic, 10-poles, rated current: 16A, rated voltage: 500V, with silver-plated contacts
72.703.3253.0	Female insert POW BUC 8/24 AF	
72.713.3253.0	Male insert POW STC 8/24 AF	



Varianten/Variants
.0



Bohrbild
/Cut out

71.341.1035.1	BAS GUT GS 10 M20 A1	Gewindebohrung /Thread Hole	X
71.341.1035.0	BAS GUT GS 10 M20 A0	Kabelverschraubung(KV), IP54 montiert /Cable gland (CG), IP54 assembled	
Bestellnummer /Order number	Typ /Type	Varianten /Variants	dar- gestellt /drawn
Weitere Daten siehe KATALOG oder eKatalog. Additional data see CATALOG or eCatalog.		www.wieland-electric.com eshop.wieland-electric.com	

Tolerierung Size ISO 14405/Tolerance system Size ISO 14405. (This ISO-standard describes the envelope principle. According to the envelope principle the deviations of form and parallelism are limited by the size tolerances).		ja/yes <input checked="" type="checkbox"/> Stoffverbots- und Deklarationsliste nach UU-TOM-05/03 ist einzuhalten. Conformity with Wieland document UU-TOM-05/03 (list of prohibited / declarable hazardous substances) to be declared!	
Freitoleranz nach General tolerance		CAD - Zeichnung, keine manuellen Änderungen CAD - drawing, no manual modifications allowed	1. Verwendung: First Use: -
Blatt: 1 von 1 Sheet: of 1		Zeichnung Nr./Drawing No. Index	
T 71.341.1035.0 13K		Maße in mm/Dimensions are in mm	
Werkstoff/Material Aluminium beschichtet/coated grau/grey		2013 gezeichnet drawn 01.07. Treschan geprüft checked Normgepr. Stand. check	Name Treschan
Vol. mm ³ Ofl./Surf. mm ²		Ersatz für/Replacement for: -	
wieland Elektrische Verbindungen		Type revos BASIC	Benennung/Titel GEHAEUSEUNTERTEIL Baugröße 10-Kabelabgang 1xM20 links Housing size 10-cable outlet 1xM20 left
Index	Datum / Blatt Date / Sheet	Änderung/Revision	

Weitergabe sowie Vervielfältigung dieses Dokuments, Verwertung und Mitteilung seines Inhalts sind verboten, soweit nicht ausdrücklich gestattet.
The reproduction, distribution and utilization of this document as well as the communication of its contents to others without express authorization is prohibited.

713411035013K_2 CADW3028 Treschan 2013-09-201133030 1.000