



- Mains 50/60Hz Current Transformers
- Primary Current Ratings to 200 Amps
- 20kHz to 200kHz Current Sense Inductors and Transformers

## Current Sense Transformers and Inductors



### Design and Manufacturing Facilities

<http://www.talema-nuvotem.com>

#### Czech Republic

TALEMA ELECTRONIC s.r.o.  
Jablonského 7  
301 45 Plzeň  
Tel: Int. + 420 19 - 744 9303  
Fax: Int. + 420 19 - 744 3697  
Email: [info@talema.cz](mailto:info@talema.cz)

#### Germany

TALEMA ELEKTRONIK GMBH  
Riesstr. 8, Postfach 2523  
82110 Germering  
Tel: Int. + 49 89 - 841 00 - 0  
Fax: Int. + 49 89 - 841 00 25  
Email: [info@talema.isar.de](mailto:info@talema.isar.de)

#### Ireland

NUVOTEM TEO.  
Crolly  
Co. Donegal  
Tel: Int. + 353 75 - 48 666  
Fax: Int. + 353 75 - 48 139  
Email: [info@nuvotem.com](mailto:info@nuvotem.com)

#### India

TALEMA ELECTRONIC PVT. LTD.  
No. 30, 31 Electronic Industrial Estate  
Suramangalam  
Salem - 636 005, Tamil Nadu  
Tel: Int. + 91 427 - 341 950  
Fax: Int. + 91 427 - 340 912  
E-mail: [talema@md3.vsnl.net.in](mailto:talema@md3.vsnl.net.in)

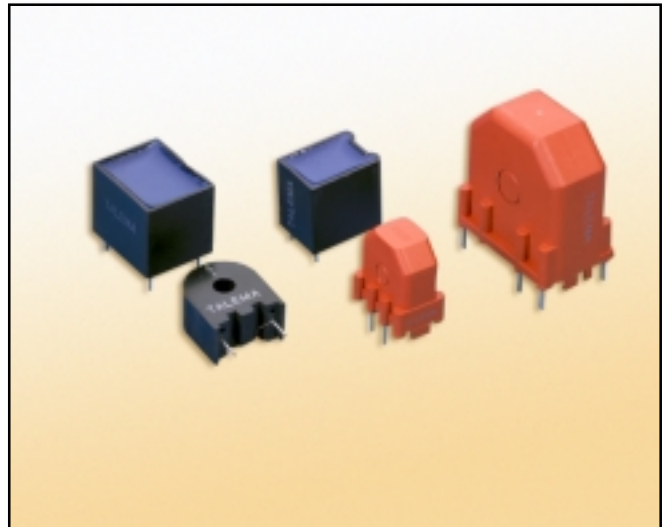


## AS Series • Current Sense Inductors & Transformers

**AS Series** Current Sensors are designed as a low cost method of controlling, monitoring or measuring AC currents. The sensors serve as feedback elements between the output and pulse control circuitry providing accurate regulation of switch mode power supplies.

### Features

- Fully encapsulated for optimal PC board mounting
- Frequency range from 20kHz to 200kHz
- Primary current rating to 15 Amps
- Primary to secondary isolated to 2500 VAC
- Meets VDE norms
- Optimum performance over designated current and frequency range
- Competitive pricing due to high volume production
- Manufactured in ISO-9001 approved facility



### Applications

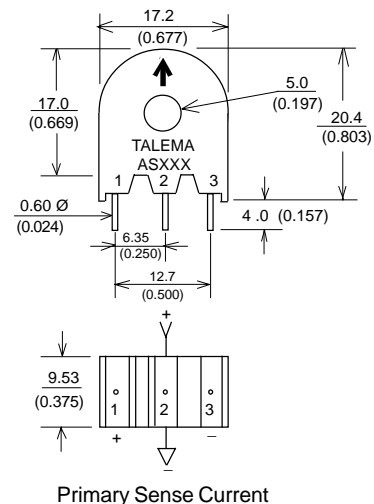
Isolated current feed-back signal in Switch Mode Power Supplies • Motor current load/overload • Lighting • Switch Controls Ultra-sound current • High resolution sonar current • Isolated bi-directional current sensor with full wave bridge rectifier

### Electrical Specifications at 25°C

Part Number	Prim./Sec. Ratio	$L_{sec}^{(1)}$ (mH Min)	$DCR_{sec}$ (Ohms Max.)	Sec. Term. <sup>(2)</sup> Resistance (Ohms Nom.)	$I_{sec}^{(3)}$ Max.	Volt $\mu$ S <sup>(4)</sup> Max.	Schematic
AS-100	1:50	6	0.6	50	300mA	175	
AS-101	1:100	25	1.1	100	150mA	350	
AS-102	1:200	100	4.5	200	75mA	700	
AS-103	1:300	250	10.0	300	50mA	900	
AS-104	1:500	700	25.0	500	30mA	1500	
AS-110	1:50CT	6	0.3 / 0.3	25 + 25	300mA	175	
AS-111	1:100CT	25	0.55 / 0.55	50 + 50	150mA	350	
AS-112	1:200CT	100	2.25 / 2.25	100 + 100	75mA	700	
AS-113	1:300CT	250	5.0 / 5.0	150 + 150	50mA	900	
AS-114	1:500CT	700	12.5 / 12.5	250 + 250	30mA	1500	

### Notes:

- 1)  $L_{sec}$ : Secondary inductance tested at 10kHz and 10mV.
- 2) This nominal termination resistance value will yield approximately 1.0V of output for each amp of current in a single turn sense line. The output Voltage/Ampere of these devices can be increased or decreased linearly over a restricted temperature range by adjusting the terminating resistance.
- 3) The  $I_{sec}$  value corresponds to a maximum primary current of 15 Amp-turns RMS.
- 4)  $V_{\mu S} = R_t \times I_s \times \frac{1}{2F}$   
 $R_t$  (Ohms): Recommended Terminating Resistance  
 $I_s$  (A): Secondary Current  
 $F$  (Hz): Frequency
- 5) Operating Temperature Range: -40°C to +120°C
- 6) Pin 2 is on Center-Tapped (CT) versions only

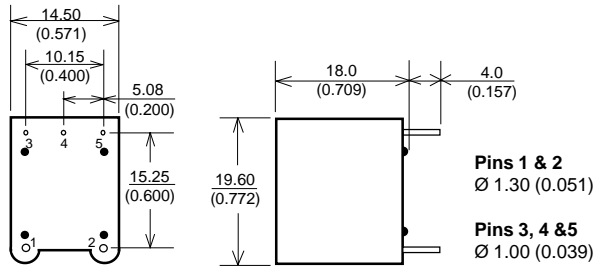


# AS Series • Current -Sense Inductors & Transformers

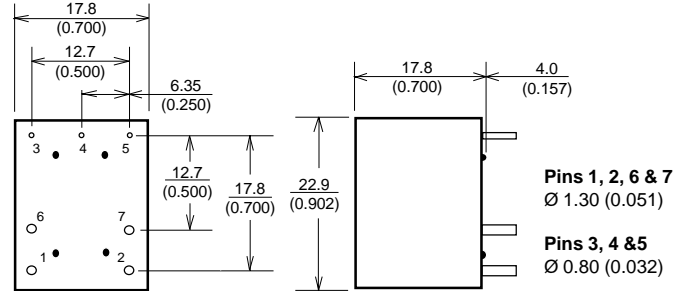
## Electrical Specifications at 25°C

Part Number		Prim./Sec. Ratio	L <sub>sec</sub> <sup>(1)</sup> (mHMin.)	DCR <sub>sec</sub> (Ohms Max.)	Sec. Term. <sup>(2)</sup> Resistance (Ohms Nom.)	I <sub>sec</sub> <sup>(3)</sup> Max.	Volt μS <sup>(4)</sup> Max.	Schematic
Type 1	Type 2							
AS-200	AS-300	1:50	5	0.65	50	300mA	175	
AS-201	AS-301	1:100	20	1.30	100	150mA	350	
AS-202	AS-302	1:200	80	4.50	200	75mA	700	
AS-210	AS-310	1:50CT	5	0.65	25 + 25	300mA	175	
AS-211	AS-311	1:100CT	20	1.30	50 + 50	150mA	350	
AS-212	AS-312	1:200CT	80	4.50	100 + 100	75mA	700	
	AS-320	1:50	5	0.65	50	300mA	175	
	AS-321	1:100	20	1.30	100	150mA	350	
	AS-322	1:200	80	4.50	200	75mA	700	
	AS-330	1:50CT	5	0.65	25 + 25	300mA	175	
	AS-331	1:100CT	20	1.30	50 + 50	150mA	350	
	AS-332	1:200CT	80	4.50	100 + 100	75mA	700	

**Type 1**



**Type 2**



### Features

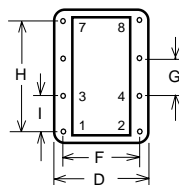
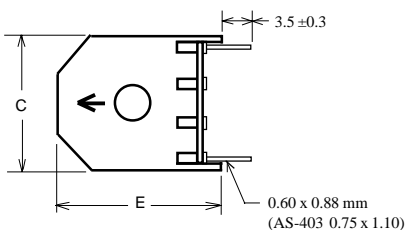
- Meets requirements of IEC 950 and VDE norms
- UL94, VO recognized materials
- Operating frequency range from 20kHz to 200kHz

- Operating Temperature Range: -40°C to +120°C
- Primary to secondary isolated to 4000 VAC
- Primary current rating to 80 Amps

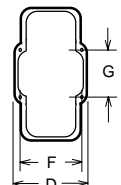
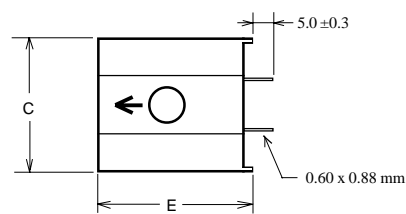
## Electrical Specifications at 25°C

Part Number	Pri./Sec. Ratio	I <sub>p</sub> Amps	Volt μS (Max.)	Application	Schematic	Case Type	Dimensions							
							C	D	E	F	G	H	I	Hole
AS-400	1:100	1	350	Switching		A	17.8	12.8	20.0	10.0	5.0	15.0	5.0	--
AS-401	1:100	2	550	Switching		A	23.0	15.5	25.0	12.5	10.0	20.0	5.0	--
AS-402	1:100	5	1500	Switching		B	32.5	18.0	35.5	15.0	12.5	--	--	--
AS-403	1:100	10	1500	Switching		A	32.0	20.5	35.0	17.5	12.5	27.5	7.5	--
AS-404	1:100	50	1500	Switching		B	32.5	18.0	35.5	15.0	12.5	--	--	Ø 8
AS-405	1:500	50	2700	Switching		A	23.0	15.5	25.0	12.5	10.0	20.0	5.0	Ø 5
AS-406	1:500	65	4200	Switching		A	27.0	18.0	30.0	15.0	12.5	22.5	5.0	Ø 5
AS-407	1:500	80	7500	Switching		B	32.5	18.0	35.5	15.0	12.5	--	--	Ø 8

**Type A**



**Type B**



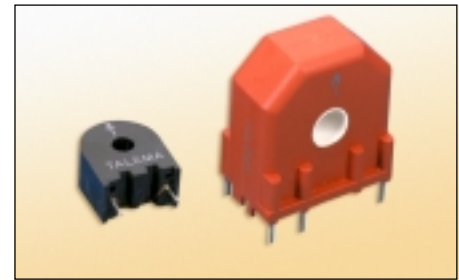


# ASM Series • Current Sensor for 50/60 Hz

**ASM Series** current sensors operate as the sealed secondary of a current transformer while the conductor carrying the current to be measured functions as a one turn primary. Measurement accuracy can be improved by increasing the number of primary turns. Applications include detection of branch circuit overload and load drop or shutdown.

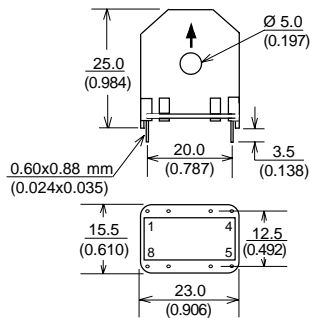
**Features**

- Fully encapsulated for optimal PC board mtg.
- Mains frequency of 50/60 Hz
- Primary current ratings from 1 to 100 Amps
- Primary to secondary isolated to 2500 VAC
- Operating temperature range: -40° C to +120° C
- Competitive pricing due to high volume production
- Manufactured in ISO-9001 approved facility

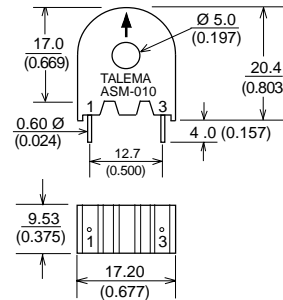


Part Number	Current Range	Output Voltage Tolerance
ASM-010	1 - 10 Amps	±10%
ASM-020	1 - 20 Amps	±10%
ASM-030	1 - 30 Amps	±10%
ASM-050	5 - 50Amps	±10%
ASM-075	5 - 75 Amps	±10%
ASM-100	5 - 100 Amps	±10%

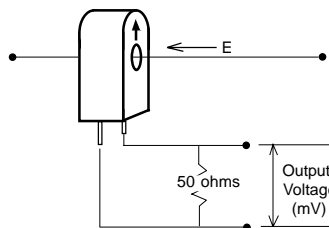
**ASM-020**



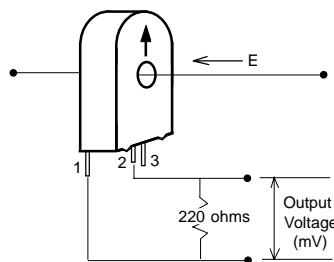
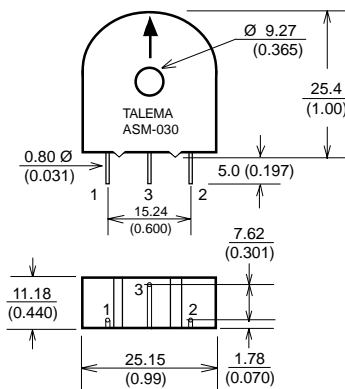
**ASM-010**



**ASM-010 & ASM-020**

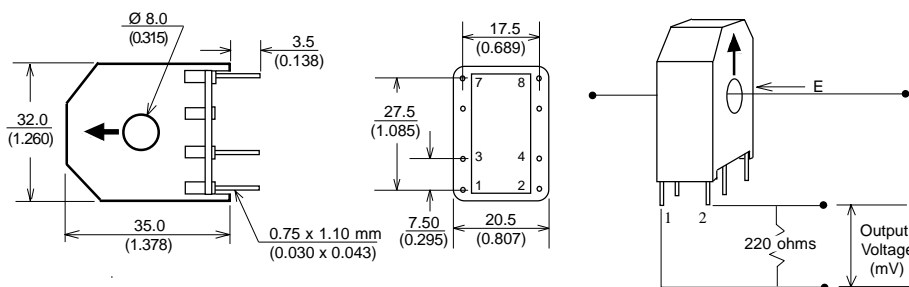


**ASM-030**

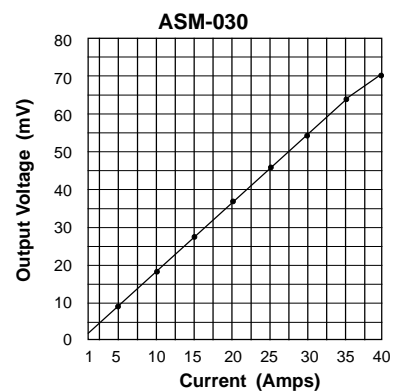
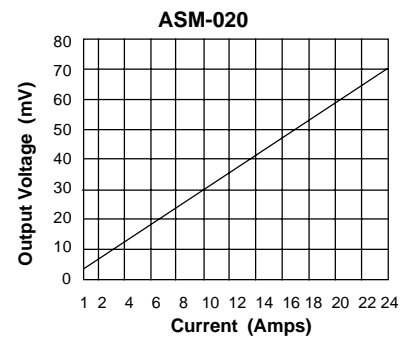
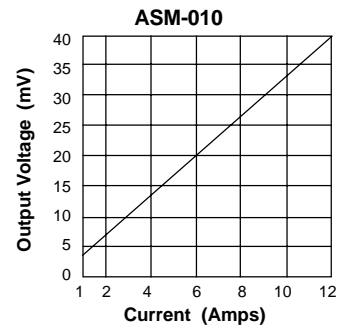


Note: Pin #3 is Blank

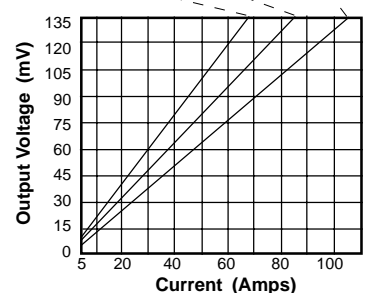
**ASM-050, ASM-075 & ASM-100**



**Typical Response**



**ASM-050, ASM-075 & ASM-100**





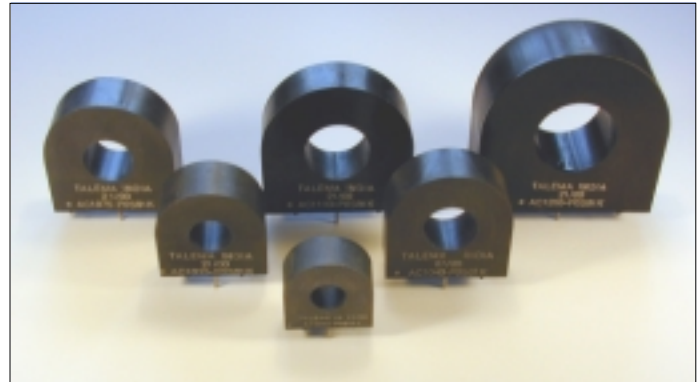
## Low Cost 50/60Hz Current Transformers

### Applications

- Sensing Overload Current
- Ground fault detection
- Metering
- Analog to Digital Circuits

### Features

- Excellent quality at extremely competitive price due to high volume production
- Manufactured in an ISO-9001 approved Talema facility



## Electrical Specifications @ 20°C ambient

### AC Series • Standard Accuracy Current Transformers

Part No.	I <sub>p</sub> Amps	Turns Ratio	Terminating Resistor		DCR (Ohms) Nominal	RCF @ 10%	Volts/Amp @ rated I <sub>p</sub> for various loads (Ohms)				I <sub>ex</sub> μArms	V <sub>ex</sub> Vrms	Net Weight (grams)	Case Dimensions - mm					
			Ohms	Watt			100	500	2K	5K				L	ID	H	W	C	D
AC1005	5	1000:1	100	0.0025	41.80	1.010	0.10	0.46	1.43	2.01	237	0.66	16.3	23.80	9.50	23.80	11.12	15.24	7.62
AC1010	10	1000:1	100	0.0100	41.80	1.010	0.10	0.45	1.10	1.42	386	1.32	16.3	23.80	9.50	23.80	11.12	15.24	7.62
AC1015	15	1000:1	100	0.0230	41.80	1.010	0.10	0.45	0.90	1.12	513	1.99	16.3	23.80	9.50	23.80	11.12	15.24	7.62
AC1020	20	1000:1	100	0.0400	41.80	1.010	0.10	0.43	0.76	0.93	628	2.65	16.3	23.80	9.50	23.80	11.12	15.24	7.62
AC1025	25	1000:1	100	0.0630	48.00	10.20	0.10	0.47	1.06	1.31	566	3.65	35.5	30.20	11.40	30.20	14.30	20.32	10.16
AC1030	30	1000:1	100	0.0900	48.00	1.020	0.10	0.47	0.95	1.16	644	4.38	35.5	30.20	11.40	30.20	14.30	20.32	10.16
AC1040	40	1000:1	100	0.1600	49.3	1.026	0.10	0.46	0.87	1.05	914	5.82	47.3	34.90	14.60	34.90	14.30	25.40	10.16
AC1050	50	1000:1	100	0.2500	49.3	1.026	0.10	0.43	0.76	0.90	1090	7.28	47.3	34.90	14.60	34.90	14.30	25.40	10.16
AC1060	60	1000:1	100	0.3600	24.00	1.001	0.10	0.44	0.66	0.76	1250	7.41	65.2	38.10	14.60	38.10	15.90	33.00	10.16
AC1075	75	1000:1	100	0.5700	24.00	1.001	0.10	0.39	0.57	0.65	1520	9.26	65.2	38.10	14.60	38.10	15.90	33.00	10.16
AC1100	100	1000:1	100	1.0000	21.30	1.001	0.10	0.34	0.50	0.56	1740	12.00	80.0	44.50	19.05	44.50	14.30	35.56	10.16
AC1150	150	1000:1	100	2.2500	11.00	1.002	0.10	0.37	0.50	0.55	1820	16.60	150.0	55.60	23.80	55.60	20.60	45.72	12.70
AC1200	200	1000:1	100	4.0000	11.00	1.002	0.10	0.31	0.41	0.45	2340	22.20	150.0	55.60	23.80	55.60	20.60	45.72	12.70

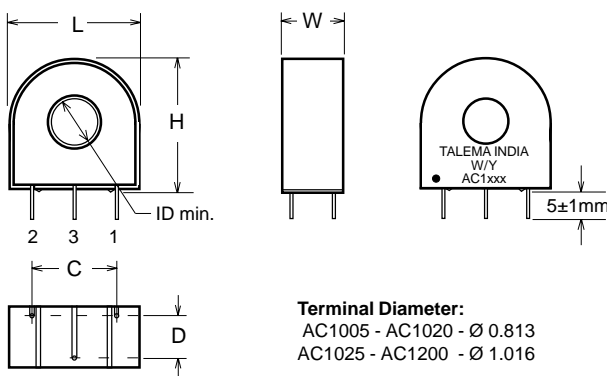
I<sub>p</sub>: Primary Current

R<sub>L</sub>: Terminating Resistor

I<sub>ex</sub> and V<sub>ex</sub>: Excitation current & voltage at rated operating conditions

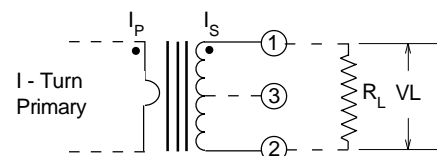
RCF: Ratio correction factor - Multiply current readings by this factor to compensate for transformer losses.

### Dimensions



### Notes:

- 1) Unless requested, the terminating resistor and the one-turn primary are not supplied
- 2) Pin 3: Normally for mechanical support only but will be used on center tapped designs
- 3) Each part number adjusted to be most accurate at specified load.



## Design and Manufacturing Facilities

<http://www.talema-nuvotem.com>

### Czech Republic

TALEMA ELECTRONIC s.r.o.  
Jablonského 7  
301 45 Plzeň  
Tel: Int. + 420 19 - 744 9303  
Fax: Int. + 420 19 - 744 3697  
Email: info@talema.cz

### Germany

TALEMA ELEKTRONIK GMBH  
Riesstr. 8, Postfach 2523  
82110 Germering  
Tel: Int. + 49 89 - 841 00 - 0  
Fax: Int. + 49 89 - 841 00 25  
Email: info@talema.isar.de

### Ireland

NUVOTEM TEO.  
Crolly  
Co. Donegal  
Tel: Int. + 353 75 - 48 666  
Fax: Int. + 353 75 - 48 139  
Email: info@nuvotem.com

### India

TALEMA ELECTRONIC PVT. LTD.  
No. 30, 31 Electronic Industrial Estate  
Suramangalam  
Salem - 636 005, Tamil Nadu  
Tel: Int. + 91 427 - 341 950  
Fax: Int. + 91 427 - 340 912  
E-mail: talema@md3.vsnl.net.in

Germany: Int.+4989-841 00-0 • Ireland: Int.+35 375-48 666 • Czech Rep: Int.+420 19-744 9303 • India: Int.+91 427-341 950

<http://www.talema-nuvotem.com>

CT'sVACatalog 05-00





# AC1005 • 5 Amp Current Transformer

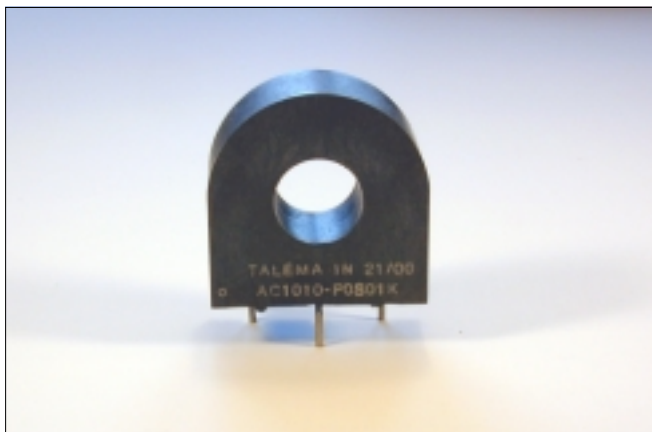
## Low Cost 50/60Hz Current Transformers

### Applications

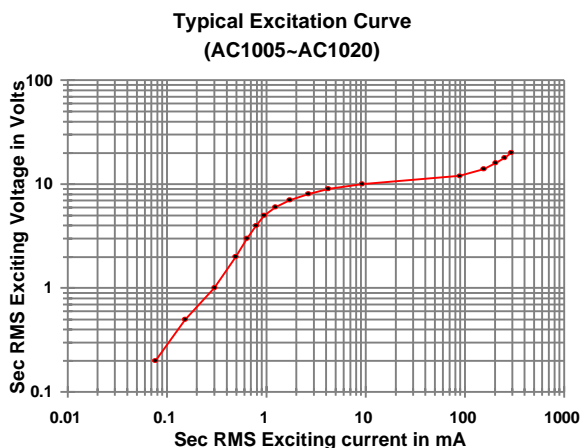
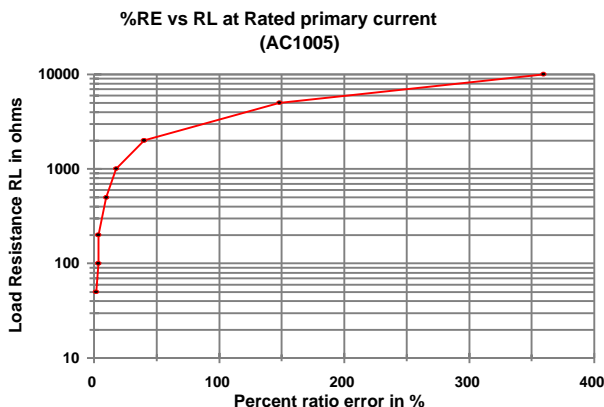
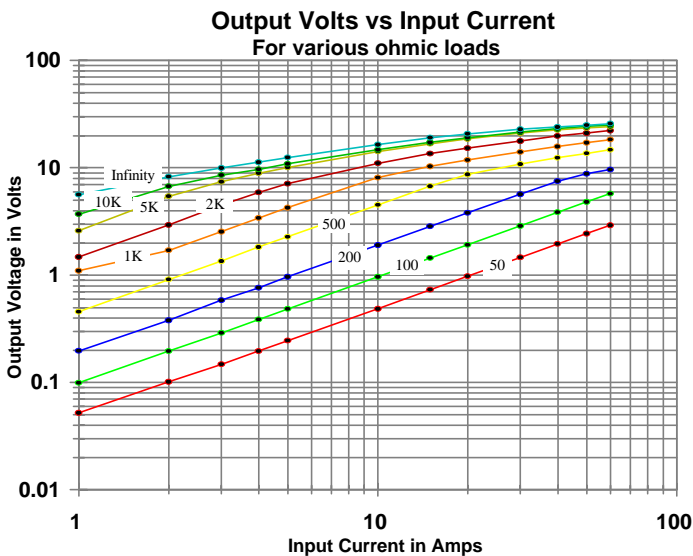
- Sensing Overload Current
- Ground fault detection
- Metering
- Analog to Digital Circuits

### Electrical Specifications @ 20°C ambient

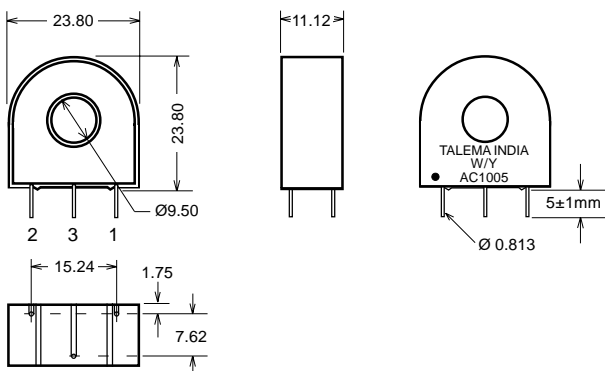
Electrical Specifications	
Primary Current	5A nom., 60A max.
Turns Ratio	1000:1 nominal
Volt per Amp Ratio at 5A for 100 ohm load	0.100 V/A
Volt per Amp Ratio at 0.5A for 100 ohm load	0.096 V/A
DC Resistance at 20°C	41.8 ohms
Dielectric Withstanding Voltage (Hi-pot)	4KVrms
Mechanical Specifications	
Case	Polycarbonate
Encapsulant	Epoxy
Flammability	Conforms to UL94-VO
Terminals	Pins Ø 0.80mm
Marking	TALEMA Date Code (W/Y) AC1005, Dot at start pin
Approximate Weight	16.3 grams
Tolerance	±0.2mm



Environmental Specifications	
Storage Temperature	-55° to +130°C
Insulation Resistance	100 megohms min.

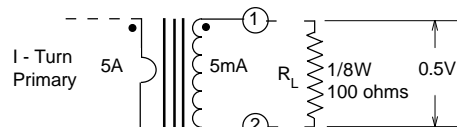


### Dimensions



### Notes:

- 1) Unless requested, the terminating resistor and the one-turn primary are not supplied
- 2) Pin 3: Normally for mechanical support only but will be used on center tapped designs



# AC1010 • 10 Amp Current Transformer



## Low Cost 50/60Hz Current Transformers

### Applications

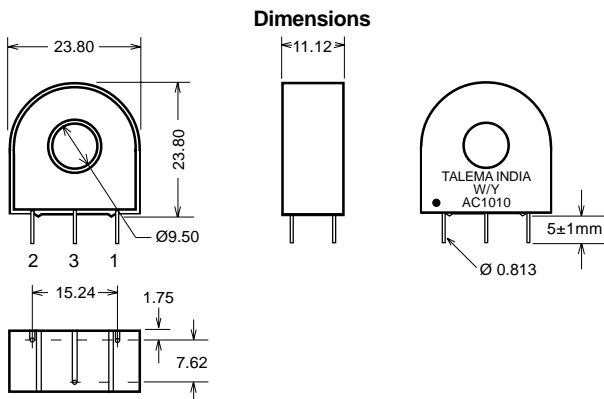
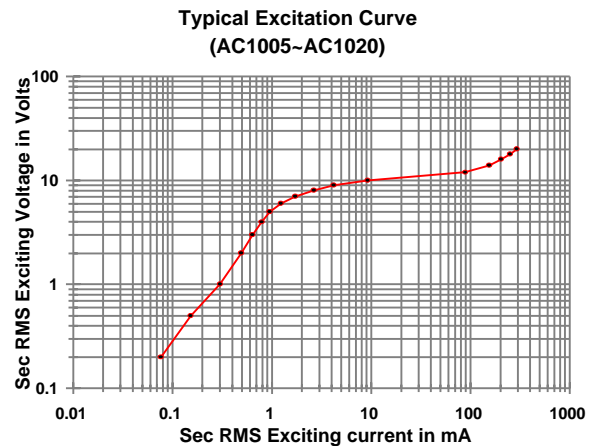
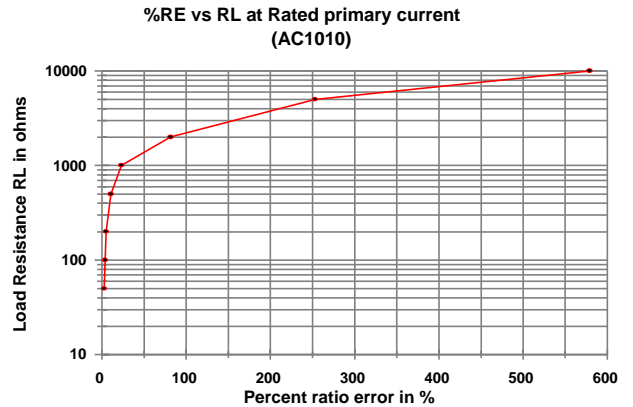
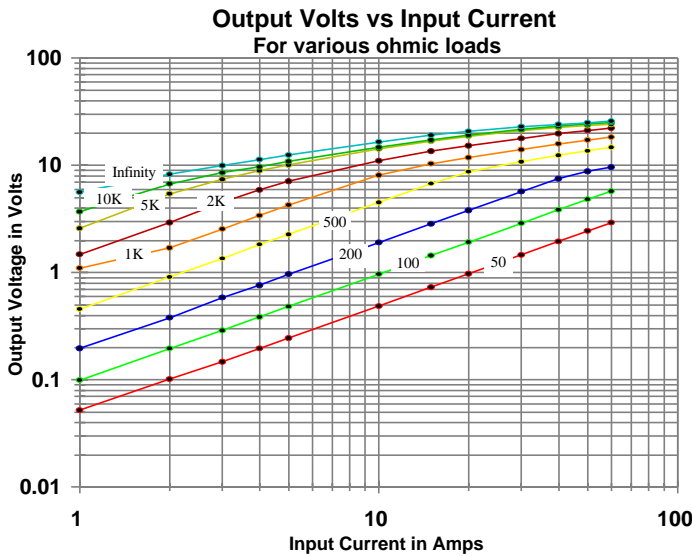
- Sensing Overload Current
- Ground fault detection
- Metering
- Analog to Digital Circuits

### Electrical Specifications @ 20°C ambient

Electrical Specifications	
Primary Current	10A nom., 60 A max.
Turns Ratio	1000:1 nominal
Volt per Amp Ratio at 10A for 100 ohm load	0.100 V/A
Volt per Amp Ratio at 1A for 100 ohm load	0.097 V/A
DC Resistance at 20°C	41.8 ohms
Dielectric Withstanding Voltage (Hi-pot)	4KVrms
Mechanical Specifications	
Case	Polycarbonate
Encapsulant	Epoxy
Flammability	Conforms to UL94-VO
Terminals	Pins Ø 0.80mm
Marking	TALEMA Date Code (W/Y) 1010, Dot at start pin
Approximate Weight	16.3 grams
Tolerance	±0.2mm

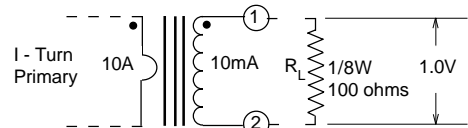


Environmental Specifications	
Storage Temperature	-55° to +130°C
Insulation Resistance	100 megohms min.



### Notes:

- 1) Unless requested, the terminating resistor and the one-turn primary are not supplied
- 2) Pin 3: Normally for mechanical support only but will be used on center tapped designs





# AC1015 • 15 Amp Current Transformer

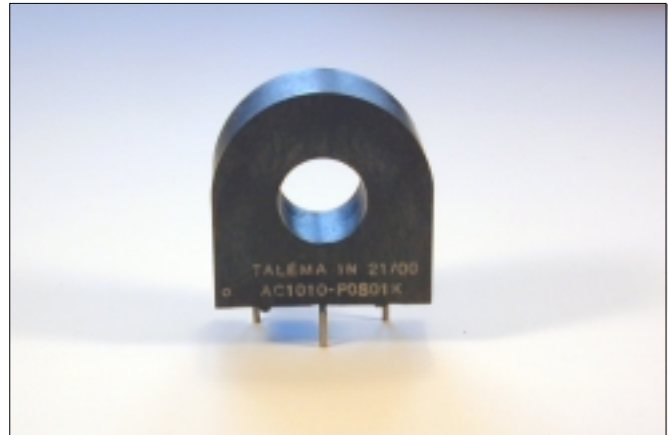
## Low Cost 50/60Hz Current Transformers

### Applications

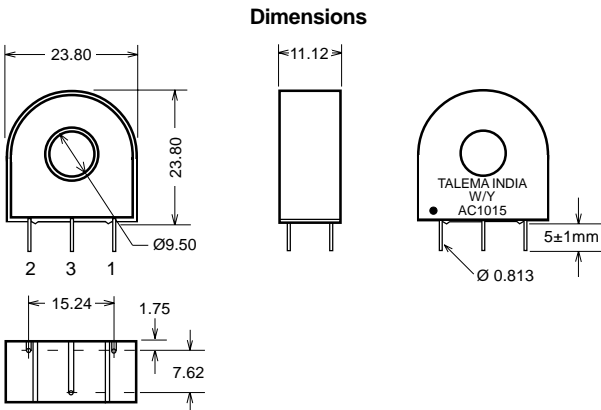
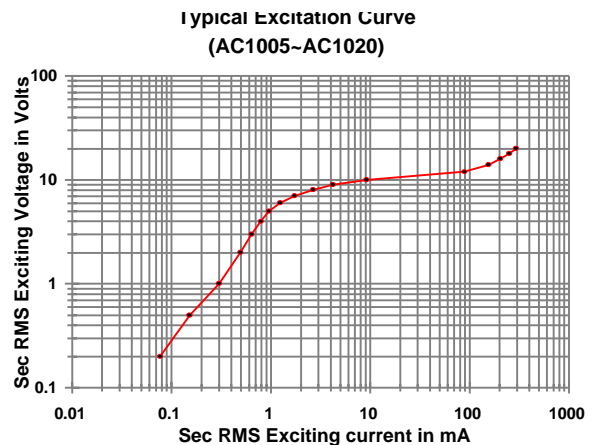
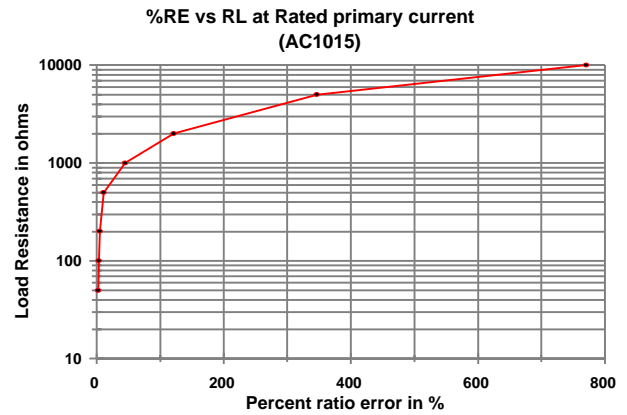
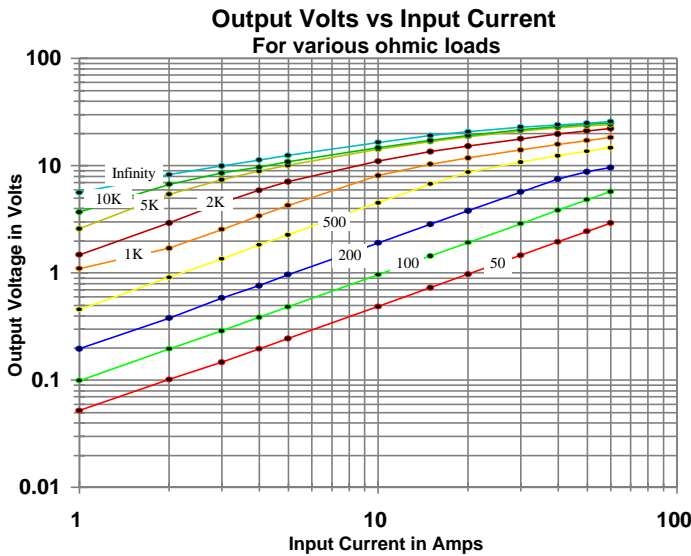
- Sensing Overload Current
- Ground fault detection
- Metering
- Analog to Digital Circuits

### Electrical Specifications @ 20°C ambient

Electrical Specifications	
Primary Current	15A nom., 60 A max.
Turns Ratio	1000:1 nominal
Volt per Amp Ratio at 15A for 100 ohm load	0.100 V/A
Volt per Amp Ratio at 1.5A for 100 ohm load	0.097 V/A
DC Resistance at 20°C	41.8 ohms
Dielectric Withstanding Voltage (Hi-pot)	4KVrms
Mechanical Specifications	
Case	Polycarbonate
Encapsulant	Epoxy
Flammability	Conforms to UL94-VO
Terminals	Pins Ø 0.80mm
Marking	TALEMA Date Code (W/Y) AC1015, Dot at start pin
Approximate Weight	16.3 grams
Tolerance	±0.2mm

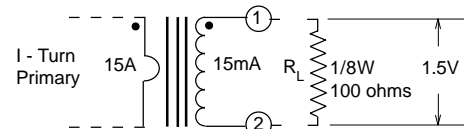


Environmental Specifications	
Storage Temperature	-55° to +130°C
Insulation Resistance	100 megohms min.



### Notes:

- 1) Unless requested, the terminating resistor and the one-turn primary are not supplied
- 2) Pin 3: Normally for mechanical support only but will be used on center tapped designs





# AC1020 • 20 Amp Current Transformer



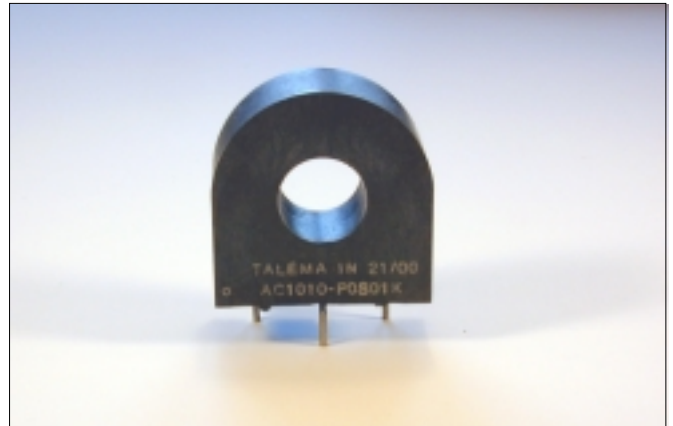
## Low Cost 50/60Hz Current Transformers

### Applications

- Sensing Overload Current
- Ground fault detection
- Metering
- Analog to Digital Circuits

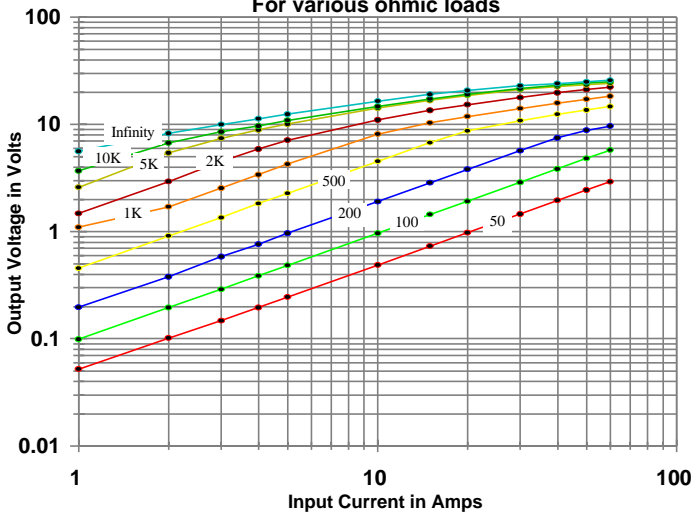
### Electrical Specifications @ 20°C ambient

Electrical Specifications	
Primary Current	20A nom., 60 A max.
Turns Ratio	1000:1 nominal
Volt per Amp Ratio at 20A for 100 ohm load	0.100 V/A
Volt per Amp Ratio at 2A for 100 ohm load	0.097 V/A
DC Resistance at 20°C	41.8 ohms
Dielectric Withstanding Voltage (Hi-pot)	4KVrms
Mechanical Specifications	
Case	Polycarbonate
Encapsulant	Epoxy
Flammability	Conforms to UL94-VO
Terminals	Pins Ø 0.80mm
Marking	TALEMA Date Code (W/Y) AC1020, Dot at start pin
Approximate Weight	16.3 grams
Tolerance	±0.2mm

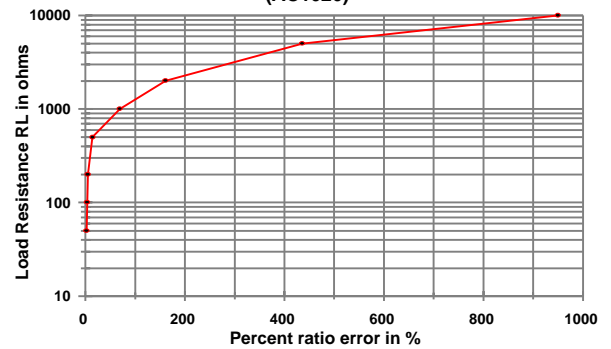


Environmental Specifications	
Storage Temperature	-55° to +130°C
Insulation Resistance	100 megohms min.

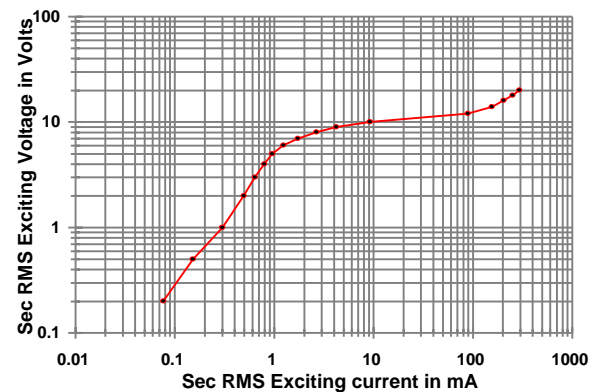
### Output Volts vs Input Current For various ohmic loads



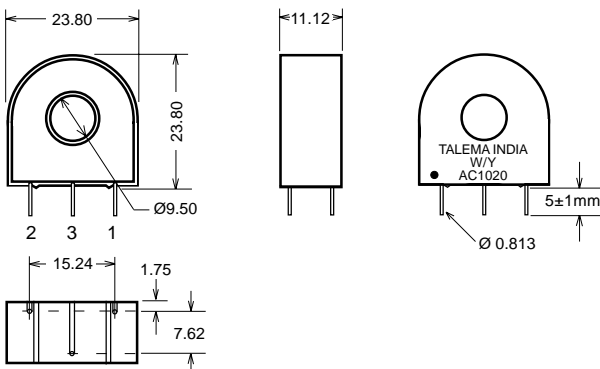
### %RE vs RL at Rated primary current (AC1020)



### Typical Excitation Curve (AC1005-AC1020)

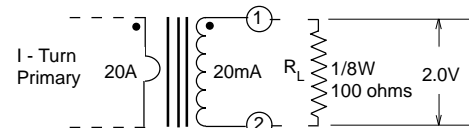


### Dimensions



### Notes:

- 1) Unless requested, the terminating resistor and the one-turn primary are not supplied
- 2) Pin 3: Normally for mechanical support only but will be used on center tapped designs





# AC1025 • 25 Amp Current Transformer

## Low Cost 50/60Hz Current Transformers

### Applications

- Sensing Overload Current
- Ground fault detection
- Metering
- Analog to Digital Circuits

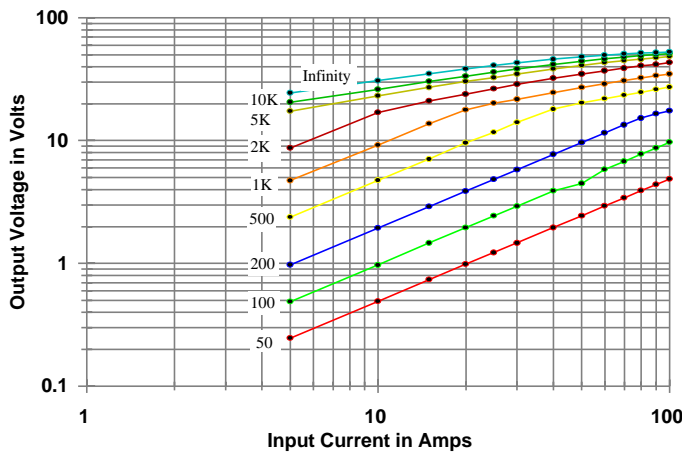
### Electrical Specifications @ 20°C ambient

Electrical Specifications	
Primary Current	25A nom., 75A max.
Turns Ratio	1000:1 nominal
Volt per Amp Ratio at 25A for 100 ohm load	0.100 V/A
Volt per Amp Ratio at 2.5A for 100 ohm load	0.098 V/A
DC Resistance at 20°C	48 ohms
Dielectric Withstanding Voltage (Hi-pot)	4KVrms
Mechanical Specifications	
Case	Polycarbonate
Encapsulant	Epoxy
Flammability	Conforms to UL94-VO
Terminals	Pins Ø 1.0mm
Marking	TALEMA Date Code (W/Y) AC1025, Dot at start pin
Approximate Weight	35.5 grams
Tolerance	±0.2mm

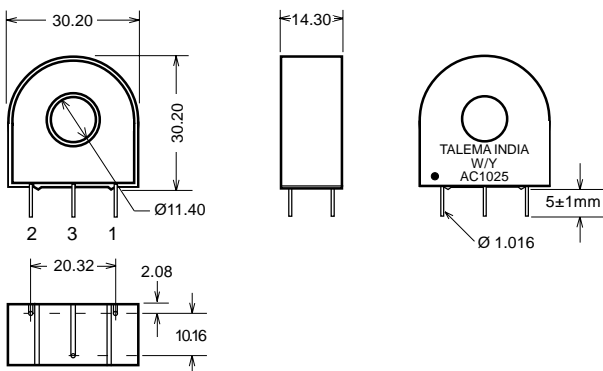


Environmental Specifications	
Storage Temperature	-55° to +130°C
Insulation Resistance	100 megohms min.

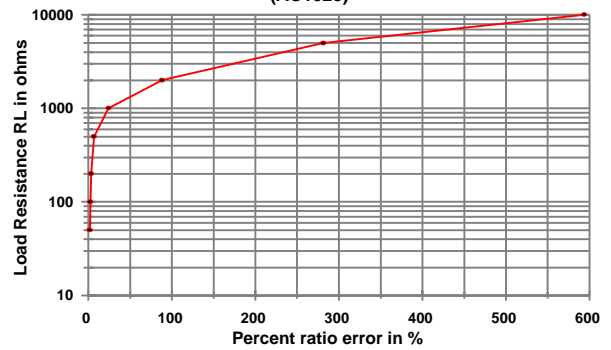
Output Volts vs Input Current  
For various ohmic loads



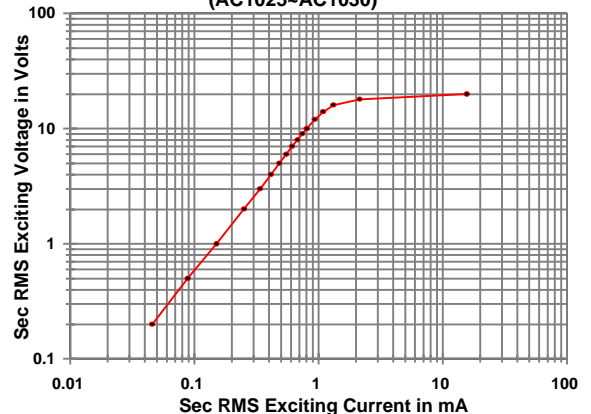
### Dimensions



%RE vs RL at Rated primary current  
(AC1025)

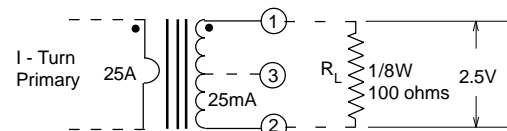


Typical Excitation Curve  
(AC1025-AC1030)



### Notes:

- 1) Unless requested, the terminating resistor and the one-turn primary are not supplied
- 2) Pin 3: Normally for mechanical support only but will be used on center tapped designs



# AC1030 • 30 Amp Current Transformer



## Low Cost 50/60Hz Current Transformers

### Applications

- Sensing Overload Current
- Ground fault detection
- Metering
- Analog to Digital Circuits

### Electrical Specifications @ 20°C ambient

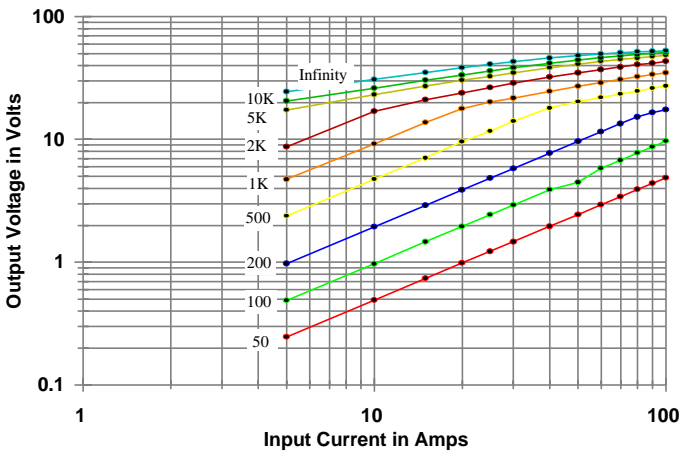
Electrical Specifications	
Primary Current	30A nom., 75A max.
Turns Ratio	1000:1 nominal
Volt per Amp Ratio at 30A for 100 ohm load	0.100 V/A
Volt per Amp Ratio at 3A for 100 ohm load	0.098 V/A
DC Resistance at 20°C	48 ohms
Dielectric Withstanding Voltage (Hi-pot)	4KVrms
Mechanical Specifications	
Case	Polycarbonate
Encapsulant	Epoxy
Flammability	Conforms to UL94-VO
Terminals	Pins Ø 1.0mm
Marking	TALEMA Date Code (W/Y) AC1030, Dot at start pin
Approximate Weight	35.5 grams
Tolerance	±0.2mm



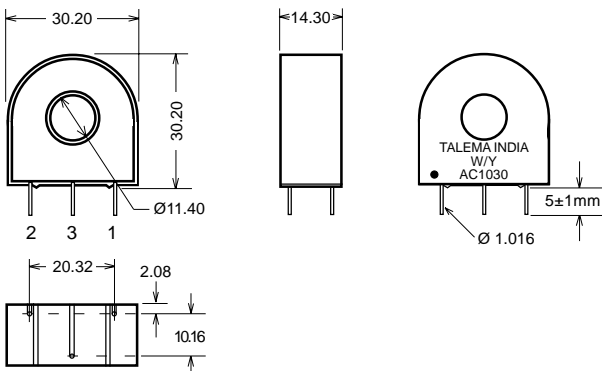
### Environmental Specifications

Storage Temperature	-55° to +130°C
Insulation Resistance	100 megohms min.

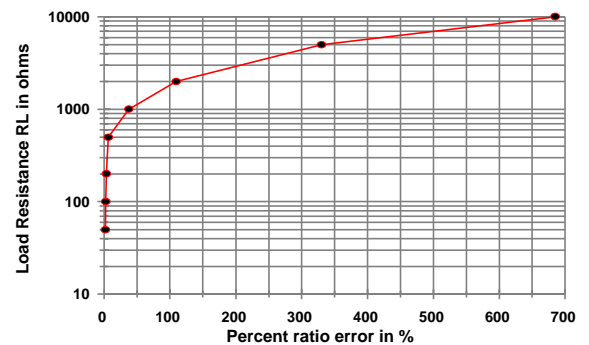
Output Volts vs Input Current  
For various ohmic loads



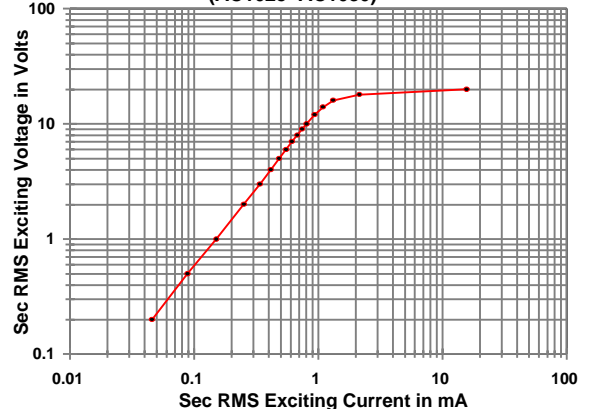
### Dimensions



%RE vs RL at Rated primary current  
(AC1030)

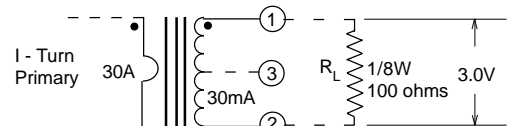


Typical Excitation Curve  
(AC1025-AC1030)



### Notes:

- 1) Unless requested, the terminating resistor and the one-turn primary are not supplied
- 2) Pin 3: Normally for mechanical support only but will be used on center tapped designs





# AC1040 • 40 Amp Current Transformer

## Low Cost 50/60Hz Current Transformers

### Applications

- Sensing Overload Current
- Ground fault detection
- Metering
- Analog to Digital Circuits

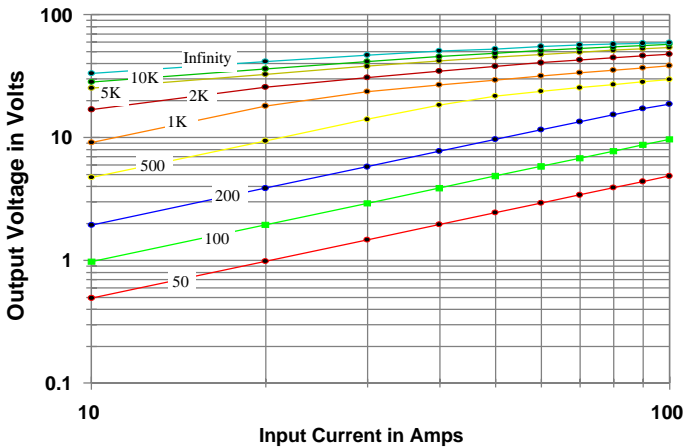
### Electrical Specifications @ 20°C ambient

Electrical Specifications	
Primary Current	40A nom., 125A max.
Turns Ratio	1000:1 nominal
Volt per Amp Ratio at 40A for 100 ohm load	0.100 V/A
Volt per Amp Ratio at 4A for 100 ohm load	0.098 V/A
DC Resistance at 20°C	49.3 ohms
Dielectric Withstanding Voltage (Hi-pot)	4KVrms
Mechanical Specifications	
Case	Polycarbonate
Encapsulant	Epoxy
Flammability	Conforms to UL94-VO
Terminals	Pins Ø 1.0mm
Marking	TALEMA Date Code (W/Y) AC1040, Dot at start pin
Approximate Weight	47.3 grams
Tolerance	±0.2mm

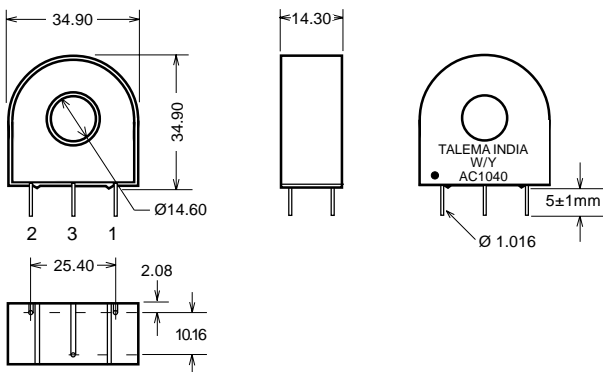


Environmental Specifications	
Storage Temperature	-55° to +130°C
Insulation Resistance	100 megohms min.

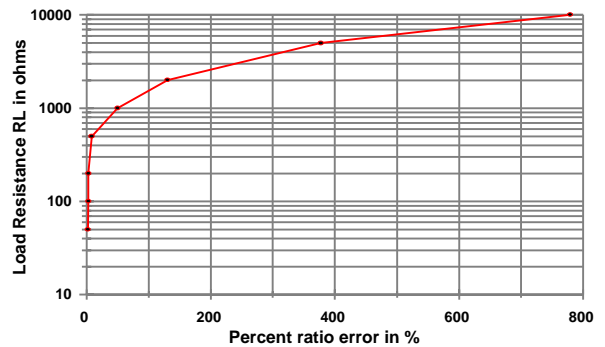
Output Volts vs Input Current  
For various ohmic loads



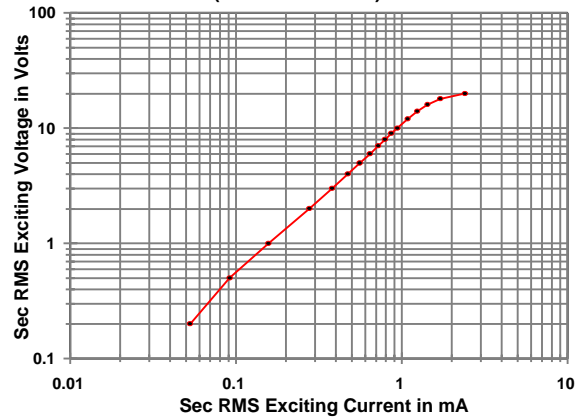
### Dimensions



%RE vs RL at Rated primary current  
(AC1040)

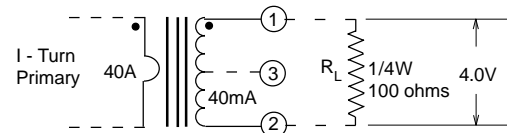


Typical Excitation Curve  
(AC1040-AC1050)



### Notes:

- 1) Unless requested, the terminating resistor and the one-turn primary are not supplied
- 2) Pin 3: Normally for mechanical support only but will be used on center tapped designs



# AC1050 • 50 Amp Current Transformer



## Low Cost 50/60Hz Current Transformers

### Applications

- Sensing Overload Current
- Ground fault detection
- Metering
- Analog to Digital Circuits

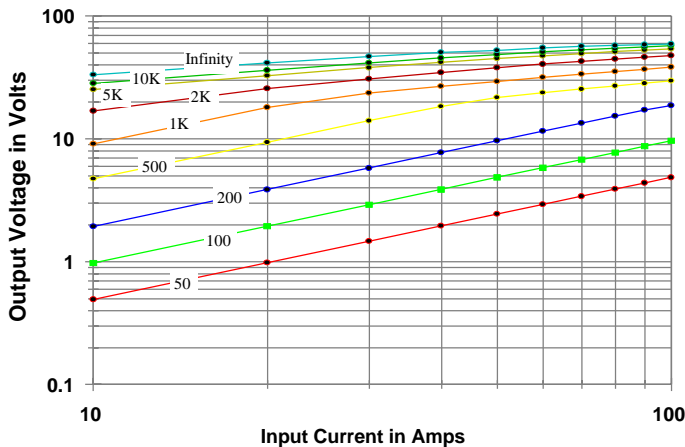
### Electrical Specifications @ 20°C ambient

Electrical Specifications	
Primary Current	50A nom., 125A max.
Turns Ratio	1000:1 nominal
Volt per Amp Ratio at 50A for 100 ohm load	0.100 V/A
Volt per Amp Ratio at 5A for 100 ohm load	0.098 V/A
DC Resistance at 20°C	49.3 ohms
Dielectric Withstanding Voltage (Hi-pot)	4KVrms
Mechanical Specifications	
Case	Polycarbonate
Encapsulant	Epoxy
Flammability	Conforms to UL94-VO
Terminals	Pins Ø 1.0mm
Marking	TALEMA Date Code (W/Y) AC1050, Dot at start pin
Approximate Weight	47.3 grams
Tolerance	±0.2mm

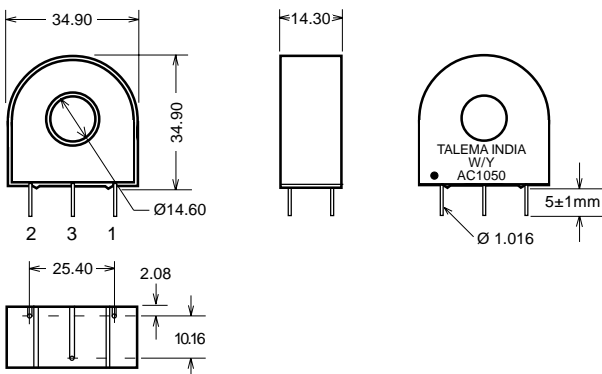


Environmental Specifications	
Storage Temperature	-55° to +130°C
Insulation Resistance	100 megohms min.

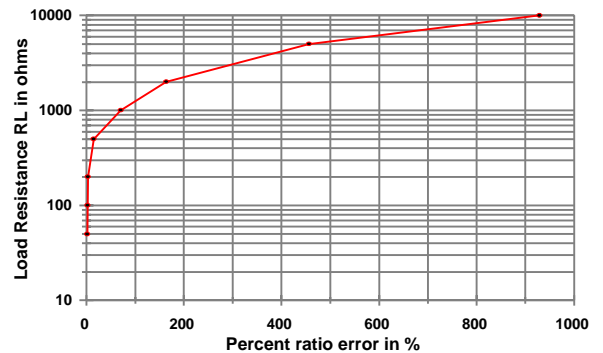
Output Volts vs Input Current  
For various ohmic loads



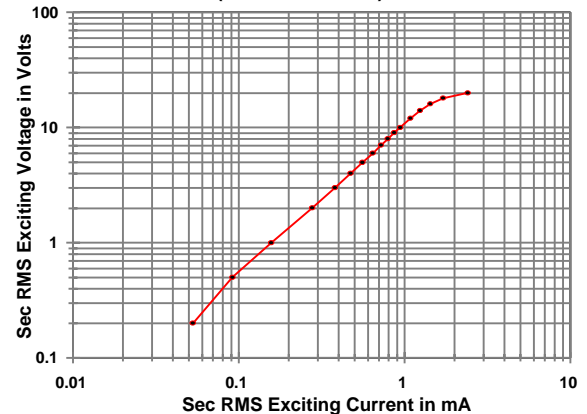
### Dimensions



%RE vs RL at Rated primary current  
(AC1050)

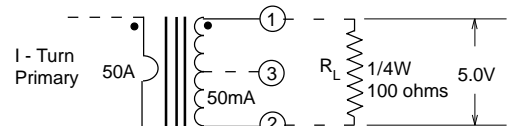


Typical Excitation Curve  
(AC1040~AC1050)



### Notes:

- 1) Unless requested, the terminating resistor and the one-turn primary are not supplied
- 2) Pin 3: Normally for mechanical support only but will be used on center tapped designs







# AC1060 • 60 Amp Current Transformer

## Low Cost 50/60Hz Current Transformers

### Applications

- Sensing Overload Current
- Ground fault detection
- Metering
- Analog to Digital Circuits

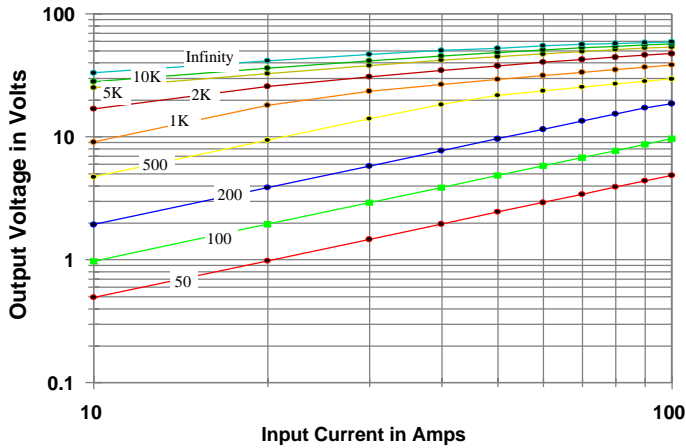
### Electrical Specifications @ 20°C ambient

Electrical Specifications	
Primary Current	60A nom., 200A max.
Turns Ratio	1000:1 nominal
Volt per Amp Ratio at 60A for 100 ohm load	0.100 V/A
Volt per Amp Ratio at 6A for 100 ohm load	0.0984 V/A
DC Resistance at 20°C	24 ohms
Dielectric Withstanding Voltage (Hi-pot)	4KVrms
Mechanical Specifications	
Case	Polycarbonate
Encapsulant	Epoxy
Flammability	Conforms to UL94-VO
Terminals	Pins Ø 1.0mm
Marking	TALEMA Date Code (W/Y) AC1060, Dot at start pin
Approximate Weight	65.2 grams
Tolerance	±0.2mm

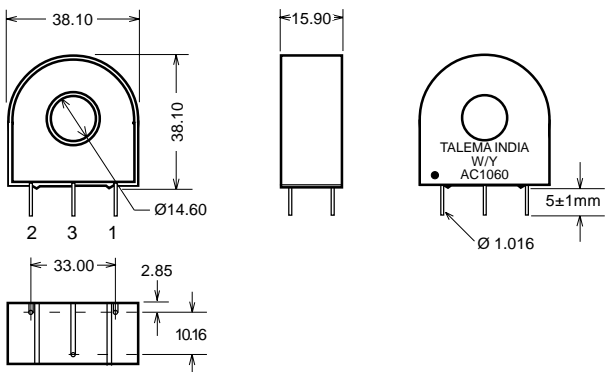


Environmental Specifications	
Storage Temperature	-55° to +130°C
Insulation Resistance	100 megohms min.

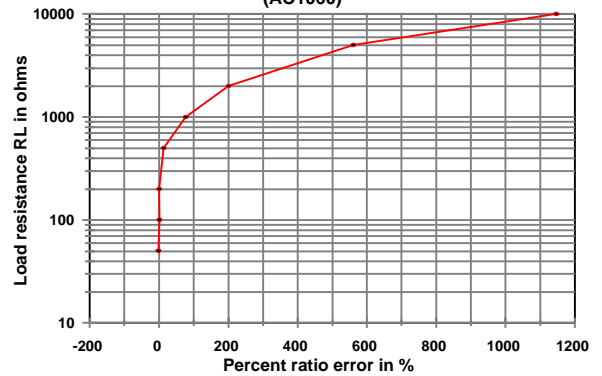
Output Volts vs Input Current  
For various ohmic loads



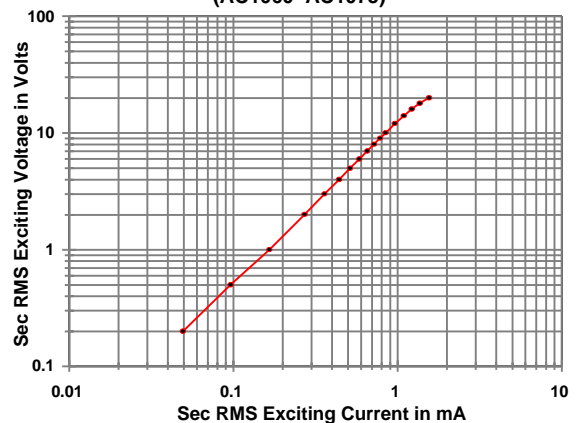
Dimensions



%RE vs RL at Rated primary current  
(AC1060)

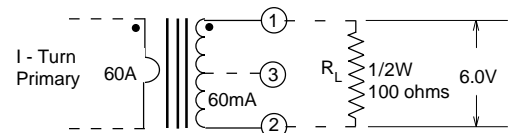


Typical Excitation Curve  
(AC1060-AC1075)



### Notes:

- 1) Unless requested, the terminating resistor and the one-turn primary are not supplied
- 2) Pin 3: Normally for mechanical support only but will be used on center tapped designs



# AC1075 • 75 Amp Current Transformer



## Low Cost 50/60Hz Current Transformers

### Applications

- Sensing Overload Current
- Ground fault detection
- Metering
- Analog to Digital Circuits

### Electrical Specifications @ 20°C ambient

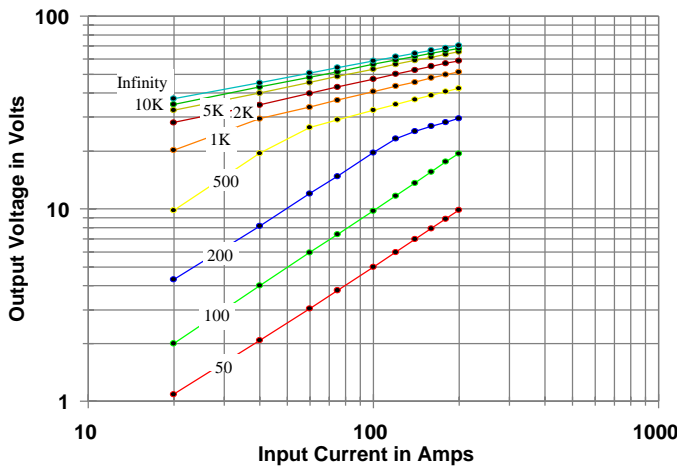
Electrical Specifications	
Primary Current	75A nom., 200A max.
Turns Ratio	1000:1 nominal
Volt per Amp Ratio at 75A for 100 ohm load	0.100 V/A
Volt per Amp Ratio at 7.5A for 100 ohm load	0.0984 V/A
DC Resistance at 20°C	24 ohms
Dielectric Withstanding Voltage (Hi-pot)	4KVrms
Mechanical Specifications	
Case	Polycarbonate
Encapsulant	Epoxy
Flammability	Conforms to UL94-VO
Terminals	Pins Ø 1.0mm
Marking	TALEMA Date Code (W/Y) AC1075, Dot at start pin
Approximate Weight	65.2 grams
Tolerance	±0.2mm



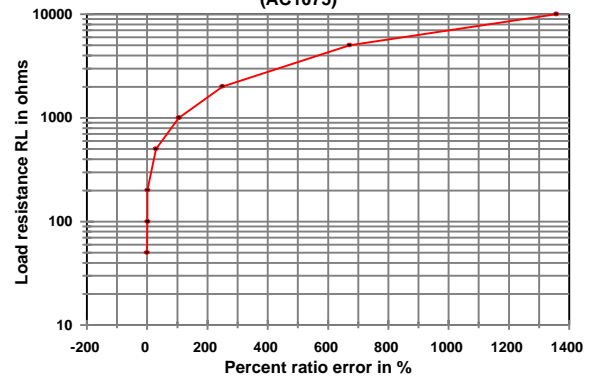
### Environmental Specifications

Storage Temperature	-55° to +130°C
Insulation Resistance	100 megohms min.

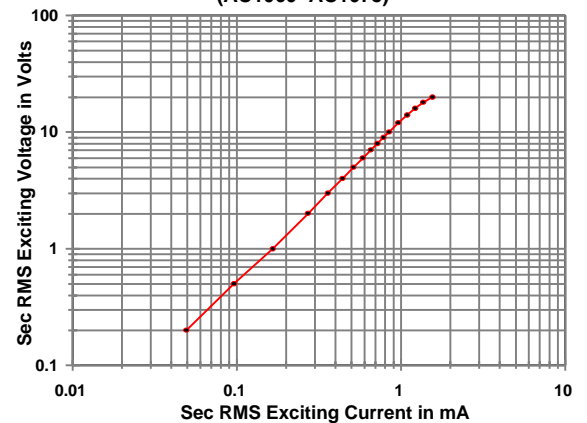
Output Volts vs Input Current  
For various ohmic loads



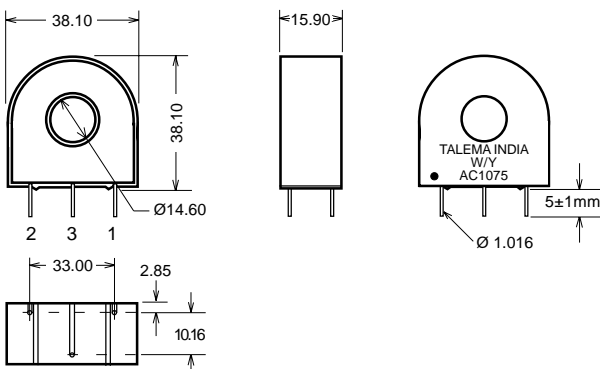
%RE vs RL at Rated primary current  
(AC1075)



Typical Excitation Curve  
(AC1060~AC1075)

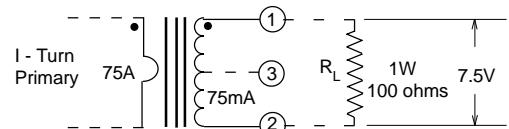


### Dimensions



### Notes:

- 1) Unless requested, the terminating resistor and the one-turn primary are not supplied
- 2) Pin 3: Normally for mechanical support only but will be used on center tapped designs





# AC1100 • 100 Amp Current Transformer

## Low Cost 50/60Hz Current Transformers

### Applications

- Sensing Overload Current
- Ground fault detection
- Metering
- Analog to Digital Circuits

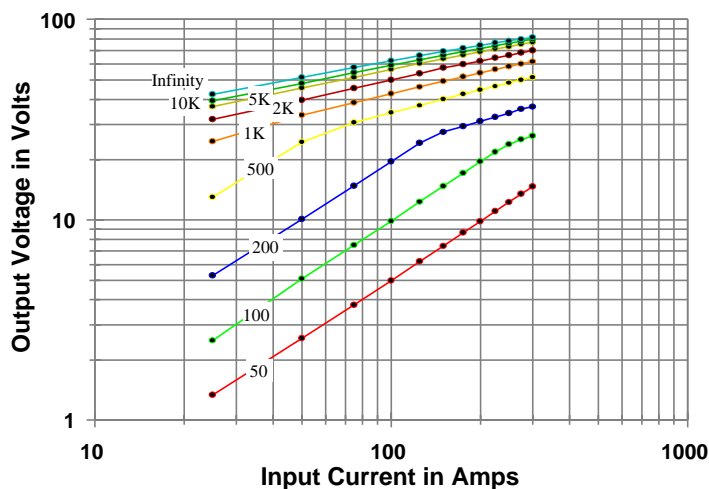
### Electrical Specifications @ 20°C ambient

Electrical Specifications	
Primary Current	100A nom., 250A max.
Turns Ratio	1000:1 nominal
Volt per Amp Ratio at 100A for 100 ohm load	0.100 V/A
Volt per Amp Ratio at 10A for 100 ohm load	0.0986 V/A
DC Resistance at 20°C	21.3 ohms
Dielectric Withstanding Voltage (Hi-pot)	4KVrms
Mechanical Specifications	
Case	Polycarbonate
Encapsulant	Epoxy
Flammability	Conforms to UL94-VO
Terminals	Pins Ø 1.0mm
Marking	TALEMA Date Code (W/Y) AC1100, Dot at start pin

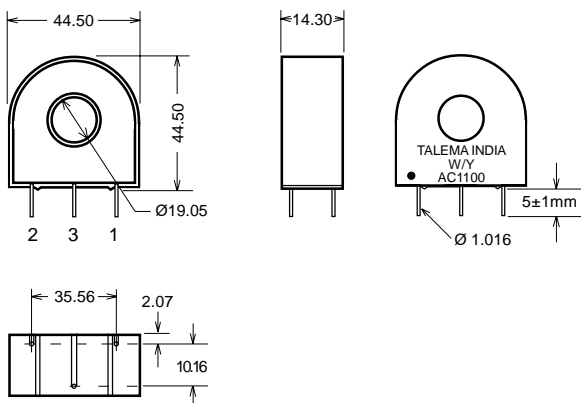


Environmental Specifications	
Storage Temperature	-55° to +130°C
Insulation Resistance	100 megohms min.

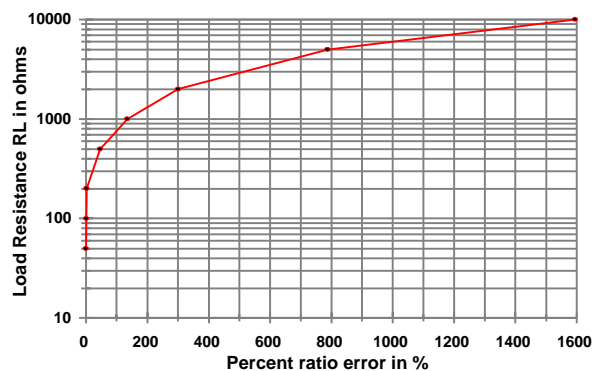
**Output Volts vs Input Current**  
For various ohmic loads



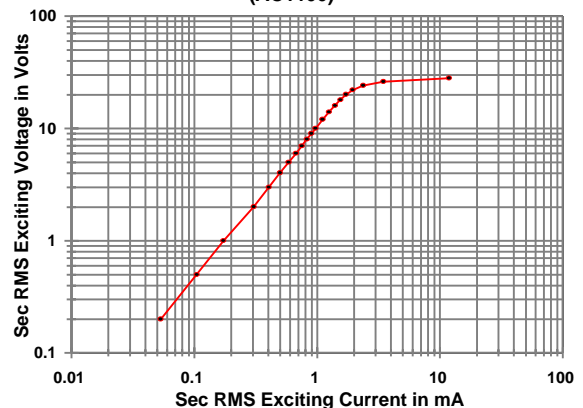
**Dimensions**



**%RE vs RL at Rated primary current (AC1100)**

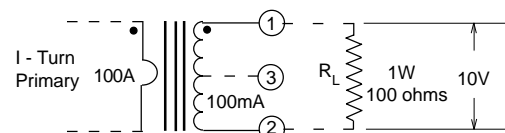


**Typical Excitation Curve (AC1100)**



### Notes:

- 1) Unless requested, the terminating resistor and the one-turn primary are not supplied
- 2) Pin 3: Normally for mechanical support only but will be used on center tapped designs



**THE TALEMA GROUP • World Wide Toroidal Specialists**

# AC1150 • 150 Amp Current Transformer



## Low Cost 50/60Hz Current Transformers

### Applications

- Sensing Overload Current
- Ground fault detection
- Metering
- Analog to Digital Circuits

### Electrical Specifications @ 20°C ambient

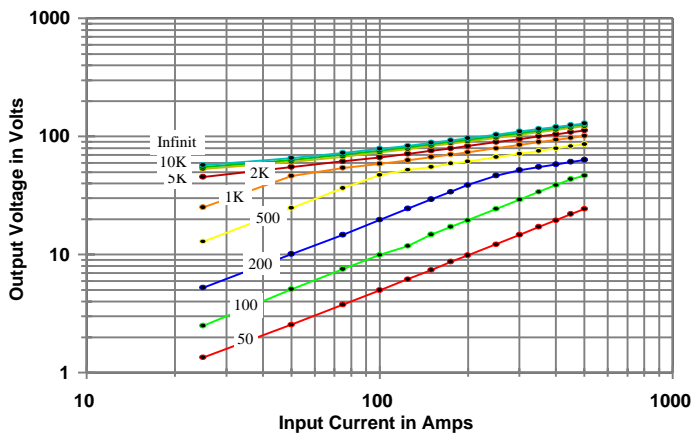
Electrical Specifications	
Primary Current	150A nom., 500A max.
Turns Ratio	1000:1 nominal
Volt per Amp Ratio at 150A for 100 ohm load	0.100 V/A
Volt per Amp Ratio at 15A for 100 ohm load	0.0990 V/A
DC Resistance at 20°C	11 ohms
Dielectric Withstanding Voltage (Hi-pot)	4KVrms
Mechanical Specifications	
Case	Polycarbonate
Encapsulant	Epoxy
Flammability	Conforms to UL94-VO
Terminals	Pins Ø 1.0mm
Marking	TALEMA Date Code (W/Y) AC1150, Dot at start pin
Approximate Weight	150 grams
Tolerance	±0.2mm



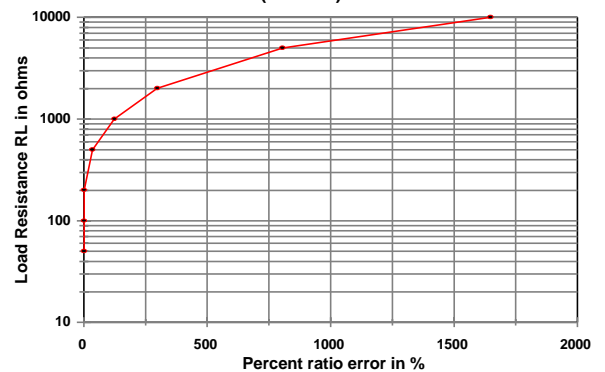
### Environmental Specifications

Storage Temperature	-55° to +130°C
Insulation Resistance	100 megohms min.

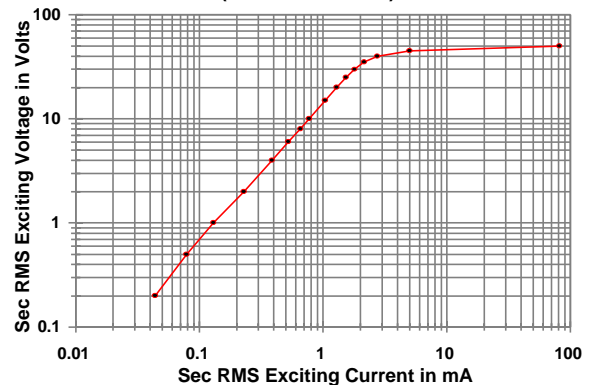
Output Volts vs Input Current  
For various ohmic loads



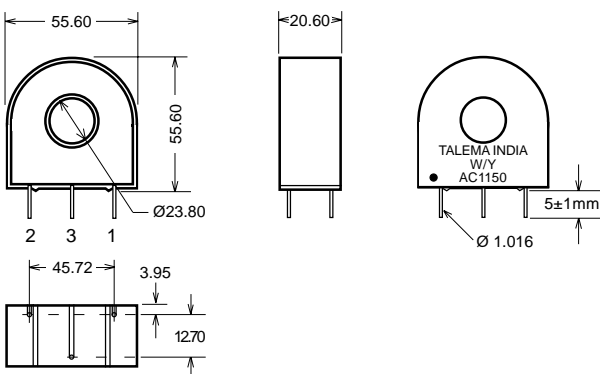
%RE vs RL at Rated primary current  
(AC1150)



Typical Excitation Curve  
(AC1150~AC1200)

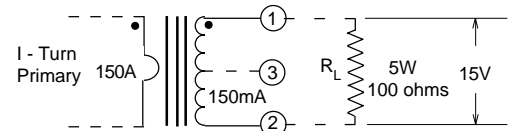


### Dimensions



### Notes:

- 1) Unless requested, the terminating resistor and the one-turn primary are not supplied
- 2) Pin 3: Normally for mechanical support only but will be used on center tapped designs





# AC1200 • 200 Amp Current Transformer

## Low Cost 50/60Hz Current Transformers

### Applications

- Sensing Overload Current
- Ground fault detection
- Metering
- Analog to Digital Circuits

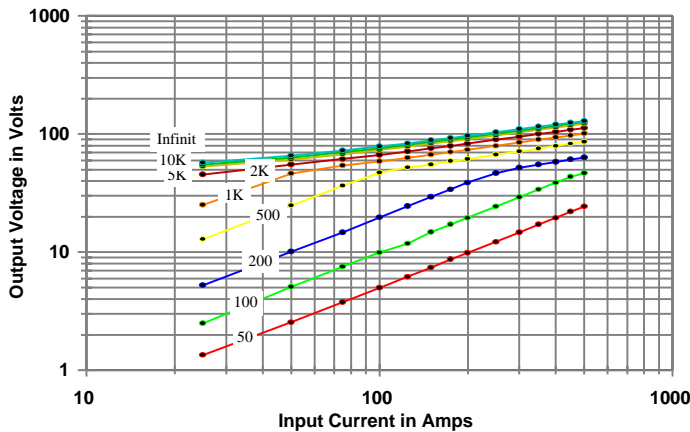
### Electrical Specifications @ 20°C ambient

Electrical Specifications	
Primary Current	200A nom., 500A max.
Turns Ratio	1000:1 nominal
Load per Amp Ratio at 200A for 100 ohm	0.100 V/A
Volt per Amp Ratio at 20A for 100 ohm load	0.0991 V/A
DC Resistance at 20°C	11 ohms
Dielectric Withstanding Voltage (Hi-pot)	4KVrms
Mechanical Specifications	
Case	Polycarbonate
Encapsulant	Epoxy
Flammability	Conforms to UL94-VO
Terminals	Pins Ø 1.0mm
Marking	TALEMA Date Code (W/Y) AC1200, Dot at start pin
Approximate Weight	150 grams
Tolerance	±0.2mm

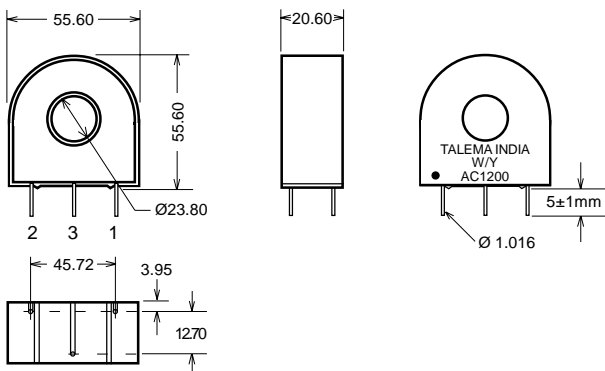


Environmental Specifications	
Storage Temperature	-55° to +130°C
Insulation Resistance	100 megohms min.

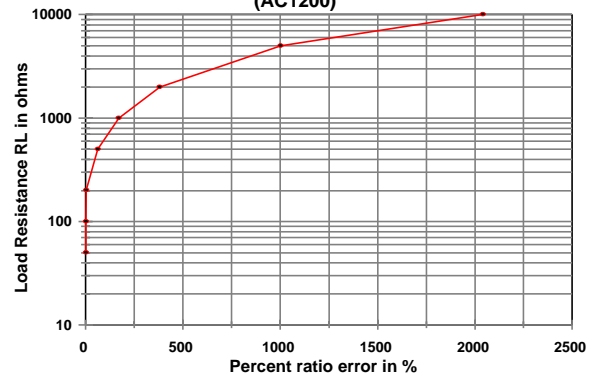
Output Volts vs Input Current  
For various ohmic loads



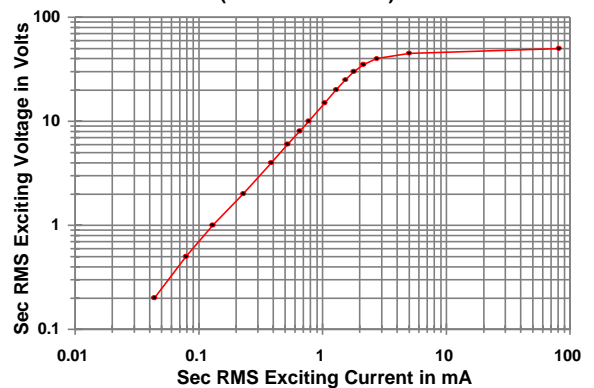
### Dimensions



%RE vs RL at Rated primary current  
(AC1200)

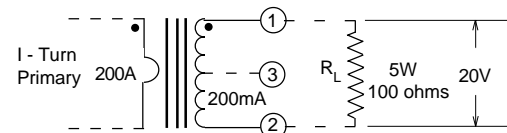


Typical Excitation Curve  
(AC1150-AC1200)



### Notes:

- 1) Unless requested, the terminating resistor and the one-turn primary are not supplied
- 2) Pin 3: Normally for mechanical support only but will be used on center tapped designs







## Australia

TORTECH PTY. LTD.  
POB 194  
North Strathfield,  
Sydney, N.S.W. 2137  
Tel: 02 - 9642 6003  
Fax: 02 - 9642 6127  
E-Mail: [tortech@ozemail.com.au](mailto:tortech@ozemail.com.au)  
Web Site: [www.tortech.com.au](http://www.tortech.com.au)

## Austria

HÖLLINGER INDUSTRIE VERTRIEB  
Nachtigallenweg 4  
A-4063 Horsching  
Tel: 07221 - 74622-0  
Fax: 07221 - 74622-21  
E-mail: [gerhard.hoellinger@aon.at](mailto:gerhard.hoellinger@aon.at)

## Belgium

ISATRONICK B.V.B.A.  
Doolhoflaan 17  
B-2640 Mortsel  
Tel: 03 - 448 1976  
Fax: 03 - 448 1195  
E-Mail: [info@isatronick.be](mailto:info@isatronick.be)  
Web Site: [www.isatronick.be](http://www.isatronick.be)

## Denmark

NORDTEK DANMARK  
Horsensvej 134  
DK-8300 Odder  
Tel: 086 - 554 344  
Fax: 086 - 554 644  
E-Mail: [post@nordtek.dk](mailto:post@nordtek.dk)  
Web Site: [www.nordtek.dk](http://www.nordtek.dk)

## France

E.S.I.A  
Courtaboeuf 7- Avenue des 2 lacs  
Villejust  
91971 Courtaboeuf Cedex  
Tel: 01 6931 4410  
Fax: 01 6931 4425  
E-Mail: [esia@wanadoo.fr](mailto:esia@wanadoo.fr)

## Germany

**PLZ 2 & 3 (less 35 & 36)**  
HEINRICH J. MERCK  
Industrivertretungen für Elektrotechnik GmbH  
Hasenhöhe 128  
22587 Hamburg  
Tel: (040) 87 08 63-0  
Fax: (040) 87 08 63-33  
E-mail: [heinrich.merck@hj-merck.de](mailto:heinrich.merck@hj-merck.de)

## PLZ 4 & 5

MARTIN RINGBECK  
IVT Technische Industrievertretung  
Saturnstraße 18  
42699 Solingen  
Tel: (0212) 232 4421/22  
Fax: (0212) 232 4432  
E-mail: [tsg-ivt-solingen@t-online.de](mailto:tsg-ivt-solingen@t-online.de)

## PLZ 7

BERND BIELER  
Industrivertretung  
Max-Eyth-Straße 1  
72379 Hechingen  
Tel: (07471) 1804-0  
Fax: (07471) 1804-10  
E-mail: [bieler-technica@t-online.de](mailto:bieler-technica@t-online.de)

## Ireland

JOHN NELSON  
9 Washington Park  
Rathfarnham  
Dublin 14  
Tel: 01 - 493 9208  
Fax: 01 - 494 5595  
E-Mail: [sales@nuvotem.com](mailto:sales@nuvotem.com)  
Web Site: [www.nuvotem.com](http://www.nuvotem.com)

## Israel

MIGVAN TECHNOLOGIES &  
ENGINEERING LTD.  
P. O. Box 7022  
13 Hashiloach Street  
Petach-Tikva  
Tel: 03 - 924 0784  
Fax: 03 - 924 0787  
E-mail: [ori@mte.co.il](mailto:ori@mte.co.il)

## Italy

TECHNOLASA ELETTRONICA  
Via Macello, 65/B  
I-39100 Bolzano  
Tel: 0471 - 305 400  
Fax: 0471 - 305 44  
E-Mail: [sales@technolasa.com](mailto:sales@technolasa.com)

## Netherlands

DELTRON-RADIKOR BV  
Postbus 50006  
De Steiger 131  
1351 AM Almere Haven  
Tel: 036 - 531 2554  
Fax: 036 - 531 2465  
E-Mail: [sales@deltron-radikor.nl](mailto:sales@deltron-radikor.nl)  
Web Site: [www.deltron-radikor.nl](http://www.deltron-radikor.nl)

## Sweden

NORDTEK SVERIGE AB  
Kostervägen 3  
S-18135 Lidingö  
Tel: 08 - 544 822 44  
Fax: 08 - 544 822 45  
E-mail: [info@nordtek.se](mailto:info@nordtek.se)  
Web Site: [www.nordtek.se](http://www.nordtek.se)

## Switzerland

BTB COMPONENTS AG  
Dorfstraße 19A  
CH-8902 Urdorf  
Tel: 01 - 734 4888  
Fax: 01 - 734 4892  
E-mail: [info@btbcomponents.ch](mailto:info@btbcomponents.ch)  
Web Site: [www.btbcomponents.ch](http://www.btbcomponents.ch)

## UK

DELTA COMPONENTS LTD.  
The Courtyard  
Seven Acres, Smallfield Road  
Home, Surrey RH6 9JP  
Tel: 01342 - 844 555  
Fax: 01342 - 844 552  
E-Mail: [sales@deltacomponents.com](mailto:sales@deltacomponents.com)  
Web Site: [www.deltacomponents.com](http://www.deltacomponents.com)

## Design and Manufacturing Facilities

<http://www.talema-nuvotem.com>

### Czech Republic

TALEMA ELECTRONIC s.r.o.  
Jablonského 7  
301 45 Plzeň  
Tel: Int. + 420 19 - 744 9303  
Fax: Int. + 420 19 - 744 3697  
Email: [info@talema.cz](mailto:info@talema.cz)

### Germany

TALEMA ELEKTRONIK GMBH  
Riesstr. 8, Postfach 2523  
82110 Germering  
Tel: Int. + 49 89 - 841 00 - 0  
Fax: Int. + 49 89 - 841 00 25  
Email: [info@talema.isar.de](mailto:info@talema.isar.de)

### Ireland

NUVOTEM TEO.  
Crollý  
Co. Donegal  
Tel: Int. + 353 75 - 48 666  
Fax: Int. + 353 75 - 48 139  
Email: [info@nuvotem.com](mailto:info@nuvotem.com)

### India

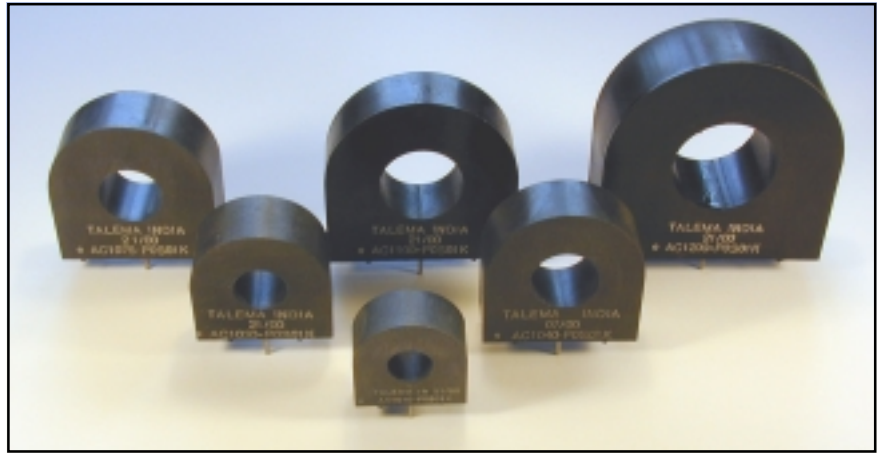
TALEMA ELECTRONIC PVT. LTD.  
No. 30, 31 Electronic Industrial Estate  
Suramangalam  
Salem - 636 005, Tamil Nadu  
Tel: Int. + 91 427 - 341 950  
Fax: Int. + 91 427 - 340 512  
E-mail: [talema@md3.vsnl.net.in](mailto:talema@md3.vsnl.net.in)



## Summary TOTAL PROGRAM

### SECTION 1

- Toroidal Transformers for Universal Application



### SECTION 2

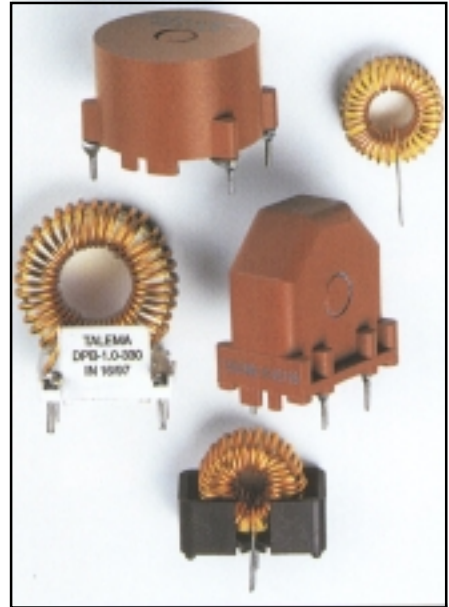
- Toroidal Printed Circuit Transformers

### SECTION 3

- Eleven Good Reasons To Select TALEMA Toroidal Transformers

### SECTION 4

- Current sense inductors and transformers
- Common mode toroidal chokes
- High capacity linear storage chokes
- Toroidal filter and storage chokes
- Differential mode toroids
- Power inductors
- High stability storage chokes
- Miniature, high current, surface mount inductors
- Low power, high stability inductors



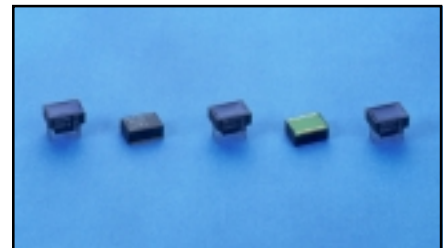
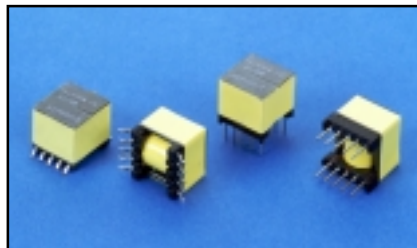
### SECTION 5

- Inductive components for ISDN and data communications
- Interface signal transformers and modules - toroidal and linear
- Isolation and coupling transformers
- Pulse transformers



### SECTION 6

- SMD and DIL Common mode interface chokes for EMI Noise Suppression
- Data and Signal Line Filters



### SECTION 7

- 50/60Hz Current Transformers for sensing current overload. Primary current ratings from 1 to 200 Amps.
- Current Sense Inductors and Transformers for frequency ranges from 20kHz to 200kHz. Primary current ratings to 80 Amps

