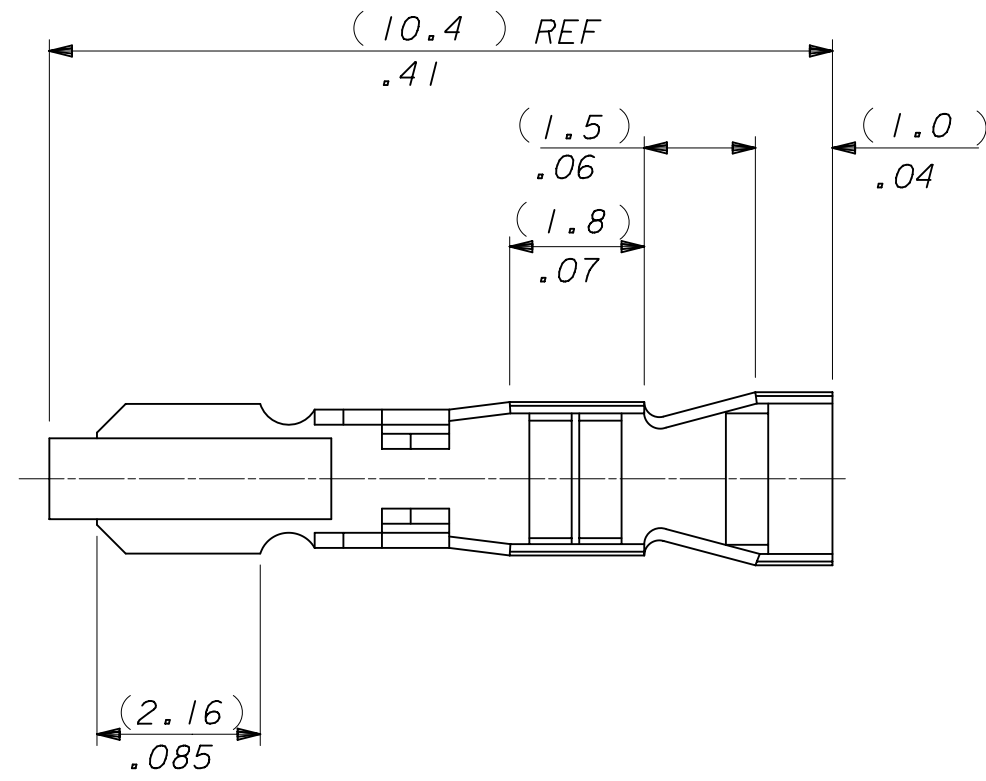
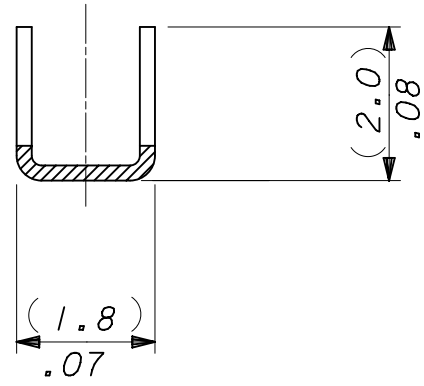
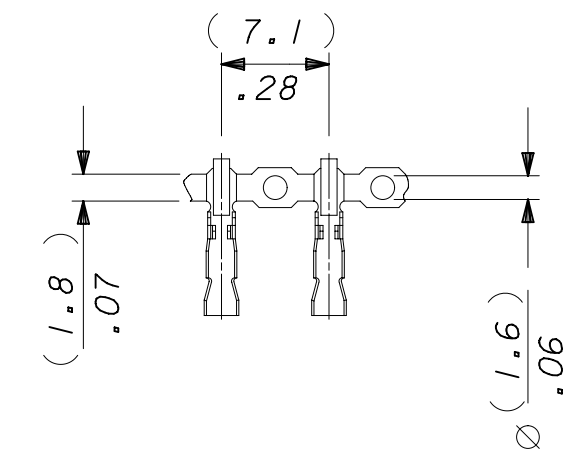
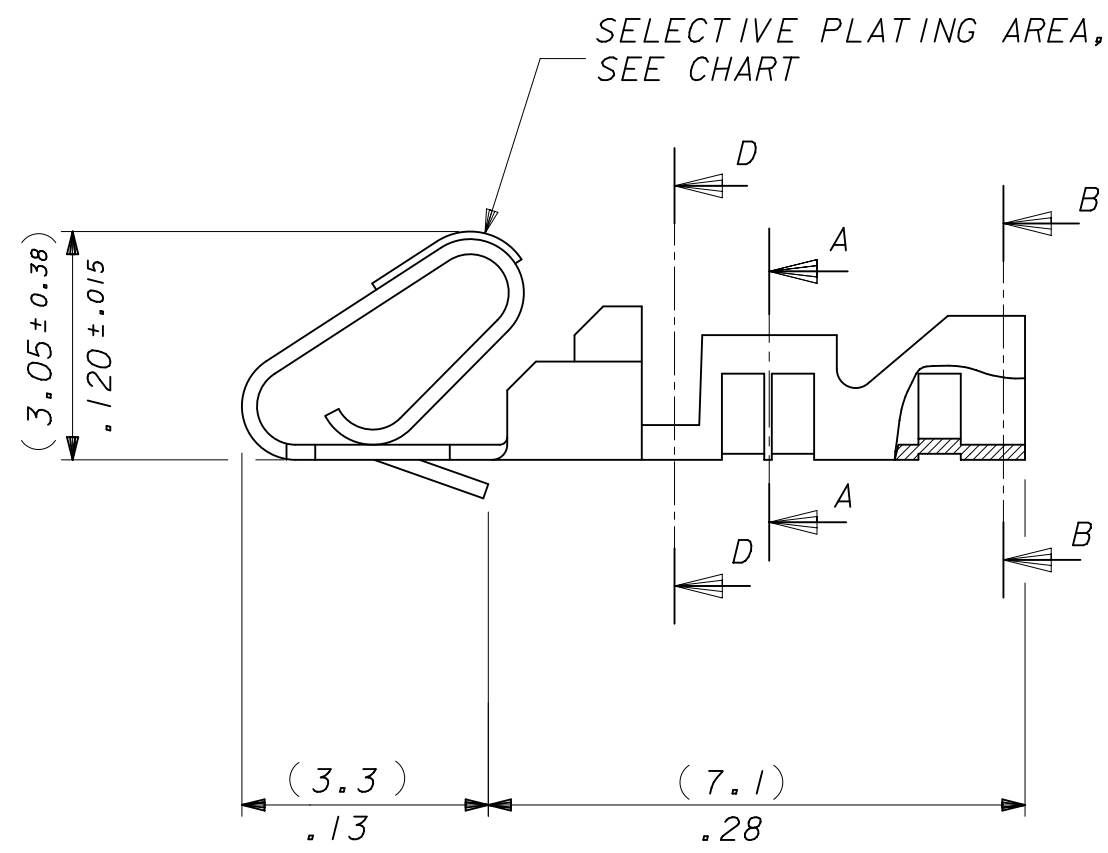
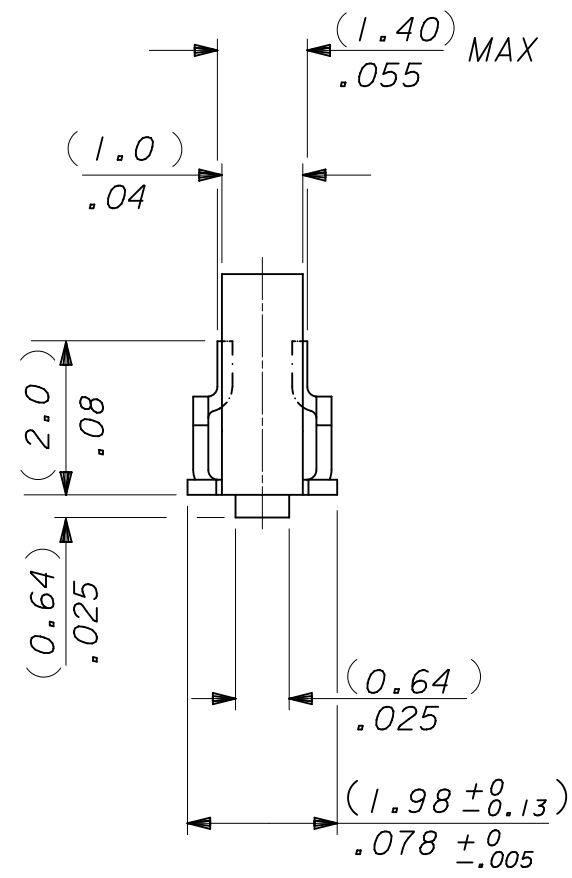


SECTION D-D  
(4809-1T ONLY)



NOTES:

1. MATERIAL: (0.21)/.008 THICK BRASS.
2. FINISH: SEE SHEET 2.
3. THIS PART CONFORMS TO PRODUCT SPEC. 99020-0088.
4. TERMINAL MUST MEET BEND SPEC. SDES-219.
5. SUITABLE FOR 22-30 GA. WIRE, (1.57)/.062 MAX. INSULATION.
6. THIS PART CONFORMS TO CLASS B REQUIREMENTS OF COSMETIC SPECIFICATION PS-45499-002.



CARRIER STRIP DETAIL  
SCALE 2:1

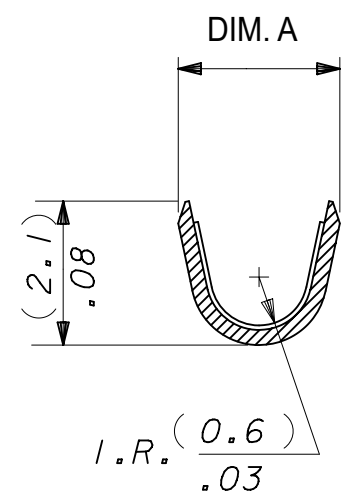
4809-(\*)\*\*

BLANK : DIM. A = (2.1) / 1.083 REF.

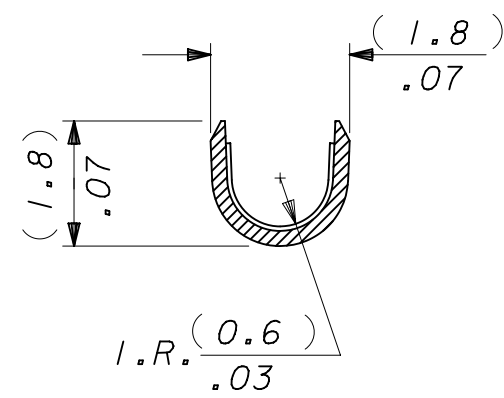
M: DIM A = (2.2) / .087 REF.

BLANK=CHAIN FORM TOP  
FEEDING REEL  
L=LOOSE FORM

PLATING CODE



SECTION B-B



SECTION A-A

THIS DRAWING CONTAINS INFORMATION THAT IS PROPRIETARY TO MOLEX ELECTRONIC TECHNOLOGIES, LLC AND SHOULD NOT BE USED WITHOUT WRITTEN PERMISSION									
DIMENSION UNITS		SCALE		CURRENT REV DESC: OBSOLETE PART NUMBERS AS PER PCN#509450.					
MM/IN		10:1		<p><b>molex</b></p> <p>ANTI-FISH HOOKING TERMINAL KK,(2.50)/.100</p> <p>PRODUCT CUSTOMER DRAWING</p> <p>DOCUMENT NUMBER: SD-4809-X    DOC TYPE: PSD    DOC PART: 001    REVISION: AP</p>					
GENERAL TOLERANCES (UNLESS SPECIFIED)									
		MM	INCH						
4 PLACES	±								
3 PLACES	±		± 0.01						
2 PLACES	±	0.25	± 0.014						
1 PLACE	±	0.35							
0 PLACES	±								
ANGULAR TOL		±	°	INITIAL REVISION:		1986/07/30			
DRAFT WHERE APPLICABLE MUST REMAIN WITHIN DIMENSIONS		THIRD ANGLE PROJECTION		DRAWING		SERIES		MATERIAL NUMBER	
				C-SIZE		4809		SEE CHART	
DOCUMENT STATUS		P1		RELEASE DATE		2022/03/31		10:33:08	
12		11		10		9		8	
7		6		5		4		3	
2		1							

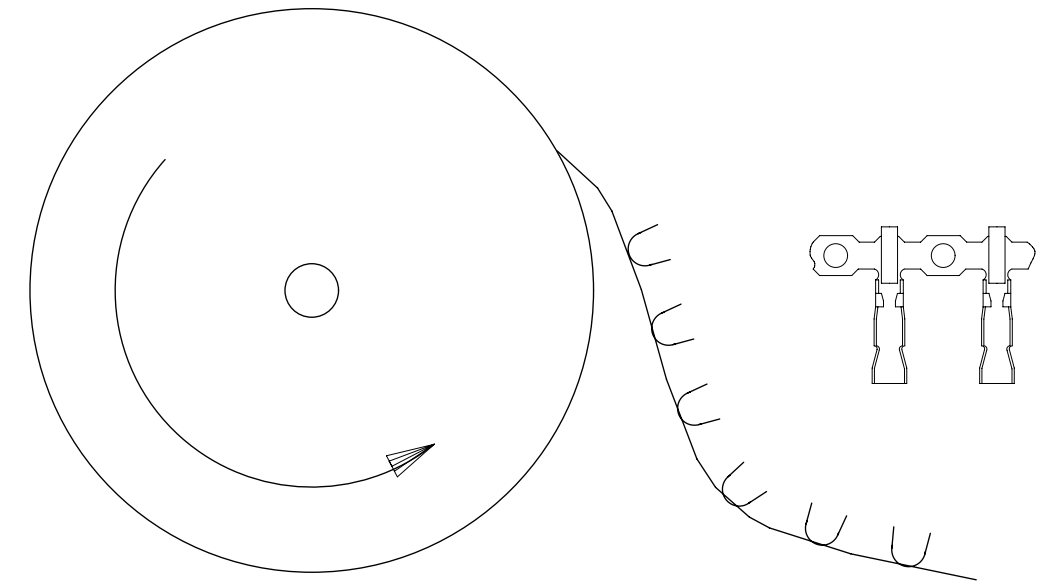
FINISH NOTES:

(550) GOLD PLATE (0.00038)/.000015 MIN. OVER (0.00076)/.000030 MIN. NICKEL

IN CONTACT AREA WITH (0.00005)/.000002 MIN. GOLD FLASH OVERALL.

(555) SELECTIVE GOLD (0.00038)/.000015 MIN. OVER (0.00076)/.000030 MIN. NICKEL IN CONTACT AREA ONL

(P918) HOT TIN DIP (0.00102-0.00305)/.000040-.000120

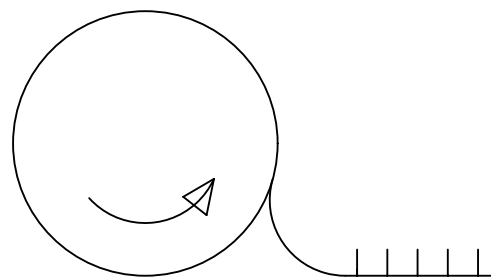


TERMINALS FEEDING FROM THE TOP OF THE REEL ARE STANDARD WOUND

08 - 55 - 0110	4809 - (555)	CHAIN	( 555 )	(2.45 - 1.75)/ .096 - .069
08 - 56 - 0120	4809 - (550)	CHAIN	( 550 )	(2.45 - 1.75)/ .096 - .069
08 - 50 - 0135	4809 - (P918)	CHAIN	(P918)	(2.45 - 1.75)/ .096 - .069
PART No	ENG No	FORM	FINISH	DIM . A
TOP FEEDING REELS ONLY				

THIS DRAWING CONTAINS INFORMATION THAT IS PROPRIETARY TO MOLEX ELECTRONIC TECHNOLOGIES, LLC AND SHOULD NOT BE USED WITHOUT WRITTEN PERMISSION									
DIMENSION UNITS <b>MM/IN</b>		SCALE <b>1:1</b>		CURRENT REV DESC: OBSOLETE PART NUMBERS AS PER PCN#509450.			<b>molex</b>		
GENERAL TOLERANCES (UNLESS SPECIFIED)				EC NO: 694111					
		MM	INCH	DRWN: SANTHN 2022/01/28			ANTI-FISH HOOKING TERMINAL KK,(2.50)/.100		
4 PLACES		±	±	CHK'D: GGA 2022/03/31					
3 PLACES		±	± 0.01	APPR: GGA 2022/03/31			PRODUCT CUSTOMER DRAWING		
2 PLACES		± 0.25	± 0.014	INITIAL REVISION:					
1 PLACE		± 0.35	±	DRWN: MCC 1986/07/30			DOCUMENT NUMBER <b>SD-4809-X</b>		
0 PLACES		±	±	APPR: JDENNEHY 2004/10/19					
ANGULAR TOL		±	°	THIRD ANGLE PROJECTION			DOC PART <b>001</b>		
DRAFT WHERE APPLICABLE MUST REMAIN WITHIN DIMENSIONS					DRAWING <b>C-SIZE</b>				
					SERIES <b>4809</b>		CUSTOMER <b>GENERAL MARKET</b>		
					MATERIAL NUMBER <b>SEE CHART</b>				
					CUSTOMER <b>GENERAL MARKET</b>				

DOCUMENT STATUS	P1	RELEASE DATE	2022/03/31	10:33:08
-----------------	----	--------------	------------	----------



'B' WINDING REEL  
PER ES 339

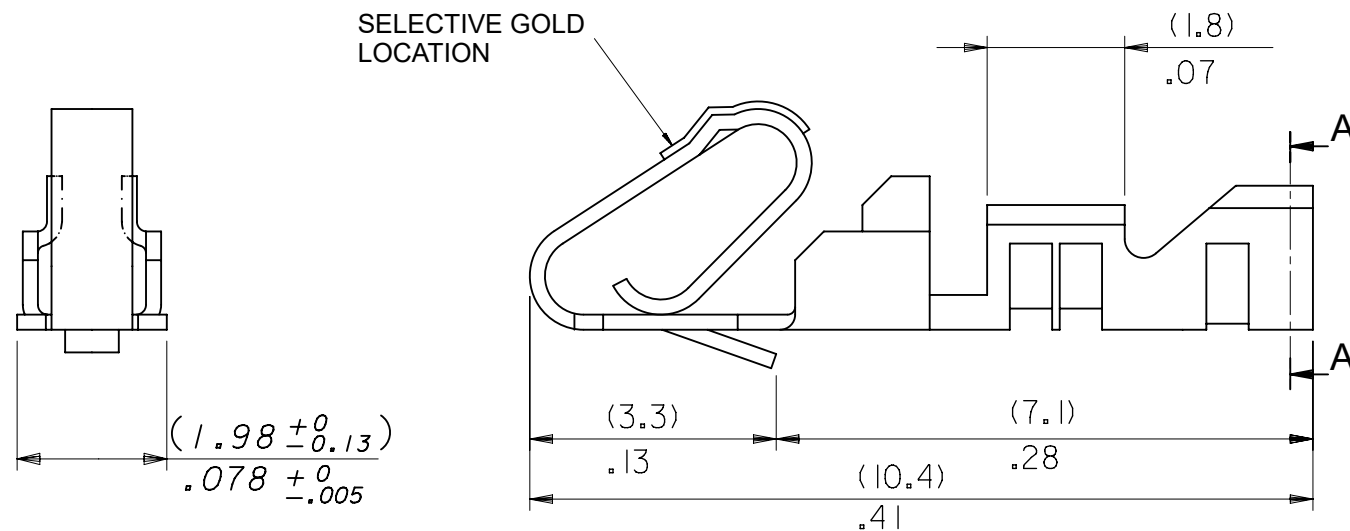
4809C - (\*) \* \*

INSULATION CRIMP WIDTH  
BLANK: DIM. A = (2.1)/.083 REF.  
M: DIM. A = (2.2)/.087 REF.

PLATING CODE

FORM:  
BLANK = CHAIN FORM. TOP FEEDING REEL  
L = LOOSE FORM  
BF = CHAIN FORM, BOTTOM FEEDING REEL

SELECTIVE GOLD  
LOCATION

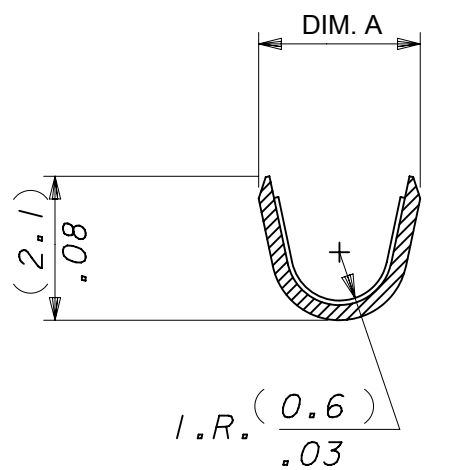


08-55-0112	4809C-(555)	CHAIN	(555)	(2.45-1.75)/ .096-.069
08-50-0030	4809C-(P918)M	CHAIN	(P918)	(2.35-2.05)/ .093-.081
08-50-0031	4809C-(P918)	CHAIN	(P918)	(2.45-1.75)/ .096-.069
08-50-0032	4809C-(P918)L	LOOSE	(P918)	(2.45-1.75)/ .096-.069
PART No	ENG No	FORM	FINISH (SEE NOTE-2)	DIM . A
'B' WINDING PER E.S.339 (CHAIN ONLY)				

NOTES:

1. MATERIAL (0.20±0.01)/.008±.0004 THICK BRASS.
2. FINISH: (555) - SELECTIVE GOLD (0.00038)/0.000015 MIN., OVERALL NICKEL (0.00076)/0.000030 MIN.  
(P918) - HOT TIN DIP: (0.00102-0.00305)/.000040-.000120
3. THIS PART CONFORMS TO MOLEX PRODUCT SPEC. PS-99020-0088.
4. SAME AS SD-4809-\* EXCEPT WITH CAT EARS.
5. FOR 22-30 GAUGE WIRE & (1.57)/.062 DIA. INSULATION MAX.
6. THIS PART CONFORMS TO CLASS B REQUIREMENTS OF COSMETIC SPECIFICATION PS-45499-002.

PRE-RELEASE  
REFERENCE  
USE ONLY



SECTION A-A

THIS DRAWING CONTAINS INFORMATION THAT IS PROPRIETARY TO MOLEX ELECTRONIC TECHNOLOGIES, LLC AND SHOULD NOT BE USED WITHOUT WRITTEN PERMISSION									
DIMENSION UNITS MM/IN		SCALE NTS		CURRENT REV DESC: REMOVED OBSOLETE PART NUMBER AS PER PCN#509450.				<b>molex</b>	
GENERAL TOLERANCES (UNLESS SPECIFIED)				EC NO: 694111					
				DRWN: SANTHN 2022/01/31				ANTI FISH HOOKING TERMINAL KK,(2.50)/.100 WITH CAT EARS	
				CHK'D: GGA 2022/03/31					
				APPR: GGA 2022/03/31				PRODUCT CUSTOMER DRAWING	
				INITIAL REVISION:					
				DRWN: AOD 1999/02/20				DOCUMENT NUMBER <b>SD-4809C-XXXX</b>	
				APPR: JDENNEHY 2004/10/19					
				ANGULAR TOL ± °		SERIES <b>4809</b>		DOC TYPE DOC PART REVISION <b>PSD 001 N</b>	
				DRAFT WHERE APPLICABLE MUST REMAIN WITHIN DIMENSIONS		MATERIAL NUMBER SEE CHART			
				THIRD ANGLE PROJECTION		DRAWING <b>B-SIZE</b>		CUSTOMER GENERAL MARKET	
				SHEET NUMBER 1 OF 1					