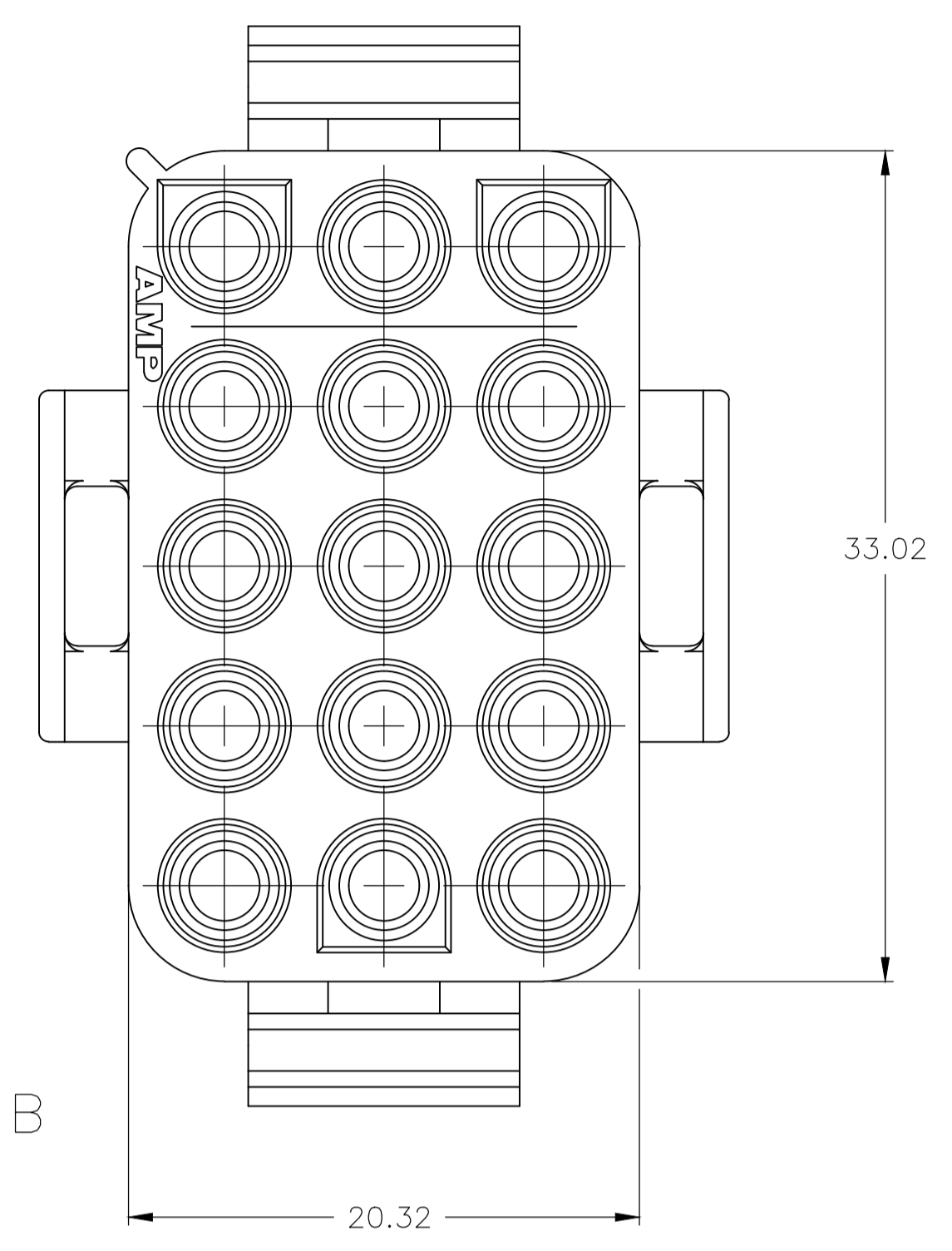
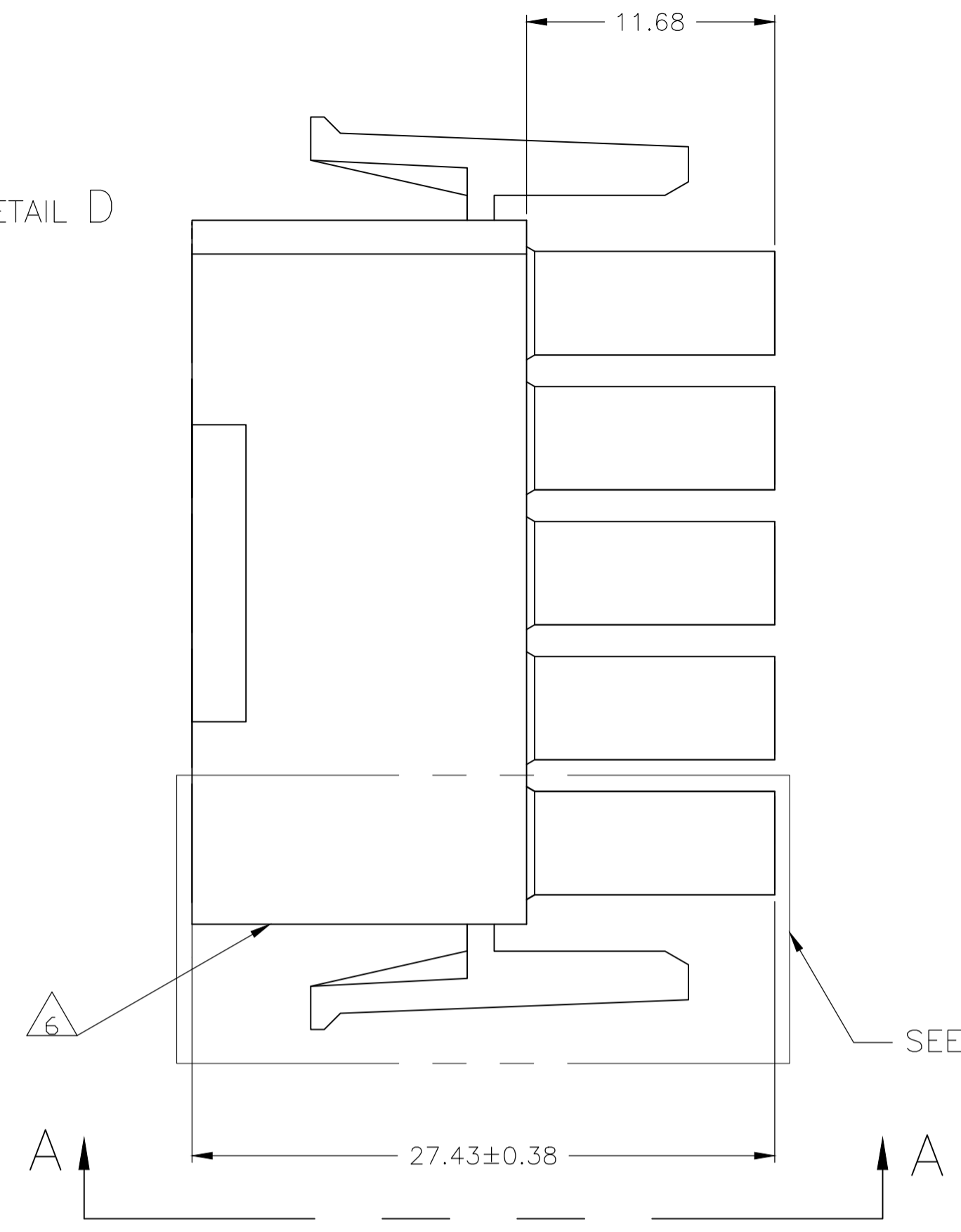
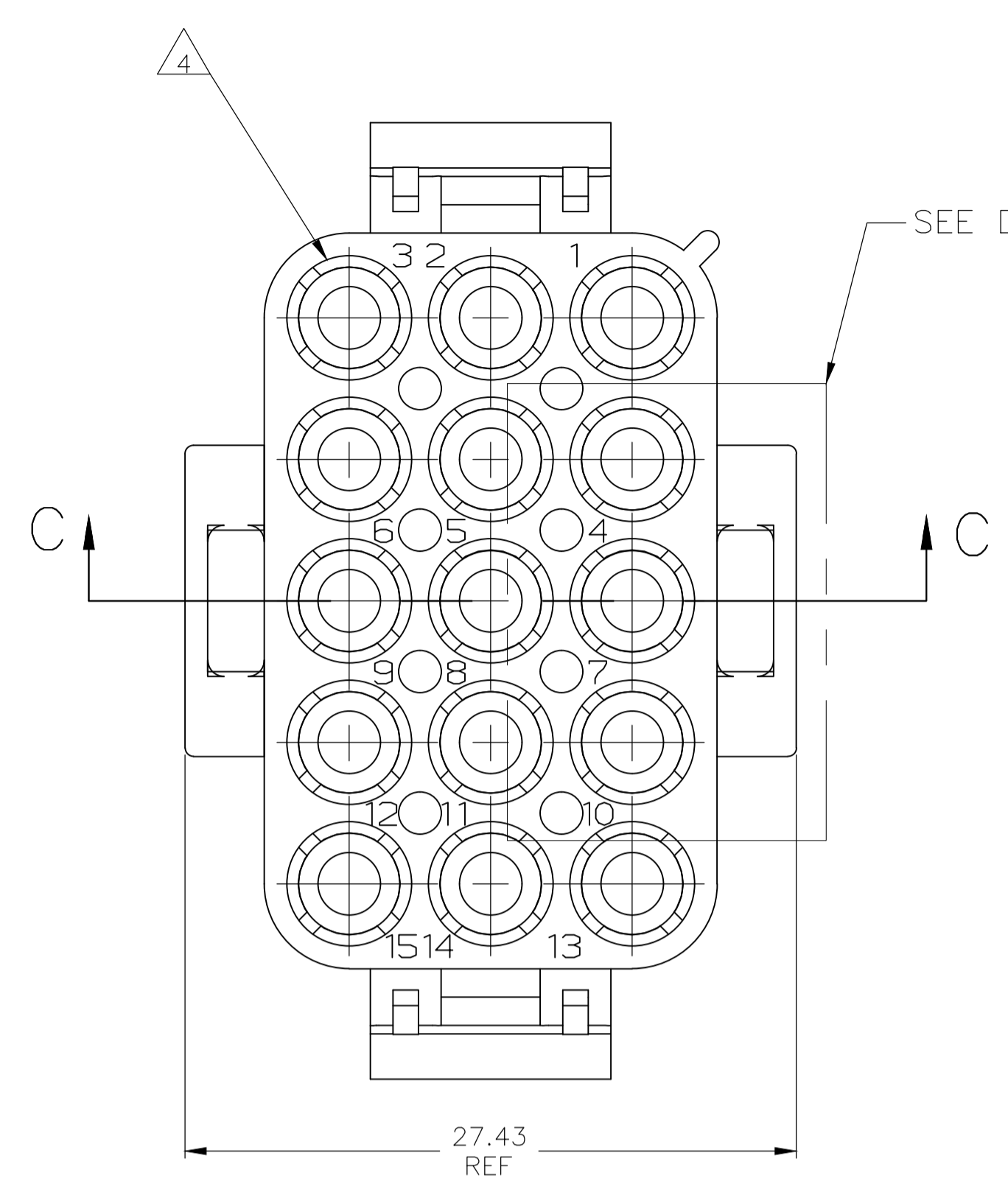
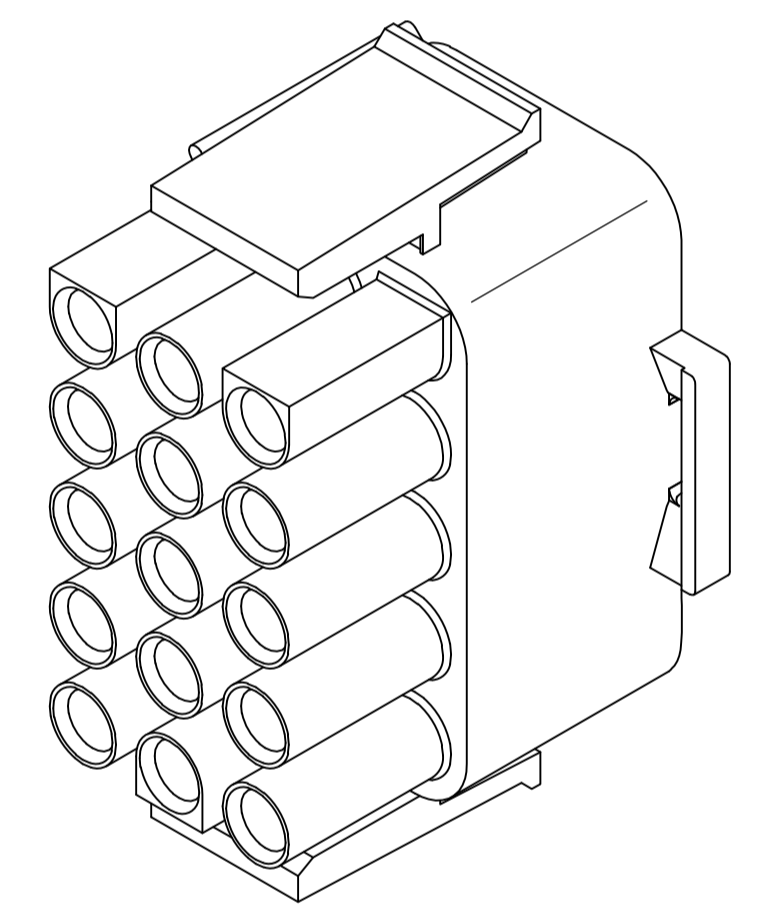
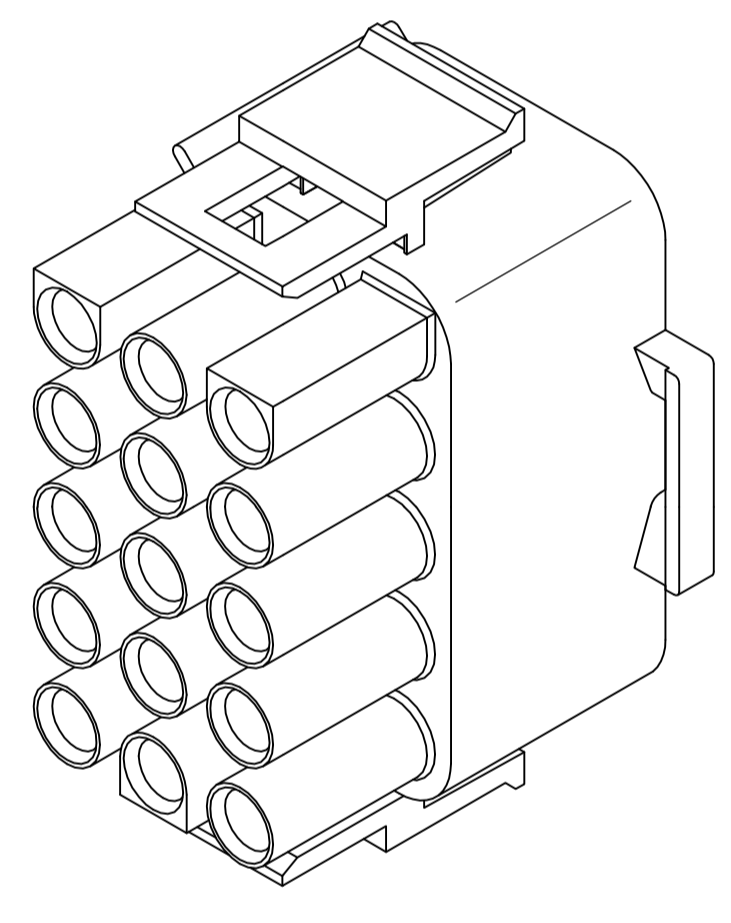


LOC		DIST		REVISIONS			
REV	DATE	DESCRIPTION	DATE	BY	APPV		
Z		REVISED PER ECR-19-008106	11JUN2019	BDA	FS		

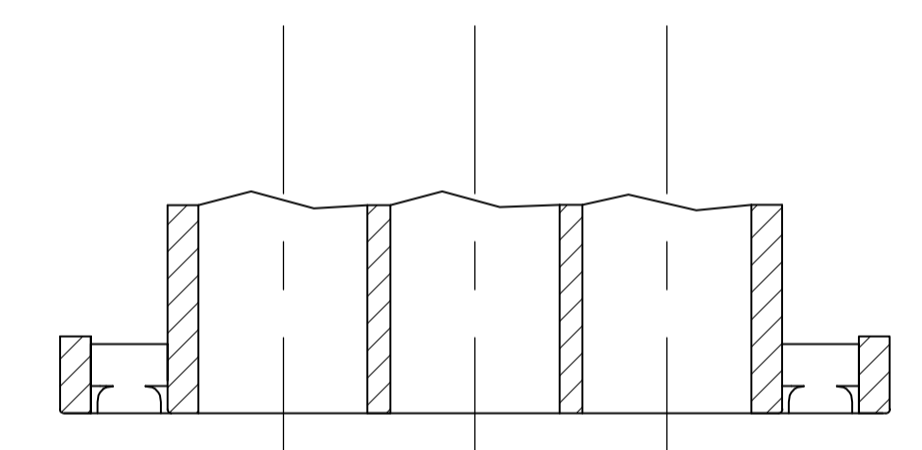


- MATES WITH APPROPRIATE UNIVERSAL MATE-N-LOK™ CAP OR HEADER.
 - SMALL NICKS ARE PERMITTED ON THE CIRCUIT TOWERS WHICH COULD INCREASE THE INITIAL HOUSING MATING FORCE BY UP TO 4.4 NEWTONS [1.0 LBS]. NO INDIVIDUAL NICKED TOWER SHALL INCREASE THIS FORCE BY OVER 2.2 NEWTONS [.5 LBS].
 - DIMENSIONS SHOWN REPRESENT PRODUCT IN DRY, AS MOLDED, CONDITION. ADDITIONAL 2% GROWTH DUE TO SUBSEQUENT MOISTURE ABSORPTION MAY OCCUR AND SHOULD BE ACCOUNTED FOR.
- △4 FOUR RIBS EQUALLY SPACED, NO SPECIFIC ORIENTATION. OR SIX RIBS EQUALLY SPACED, NO SPECIFIC ORIENTATION, OPTIONAL.
 - △5 NOT MANUFACTURED IN U.S.
 - △6 UNDERWRITERS RECOGNIZED COMPONENT LOGO AND CSA CERTIFICATION LOGO TO BE LOCATED ONCE ON EACH SIDE OF HOUSING.

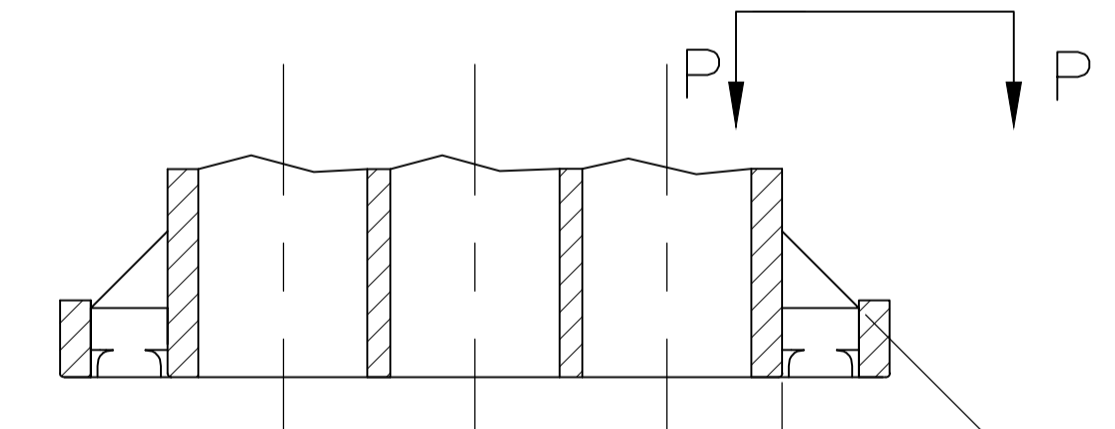


350736-4 3-DIMENSIONAL MODEL NTS

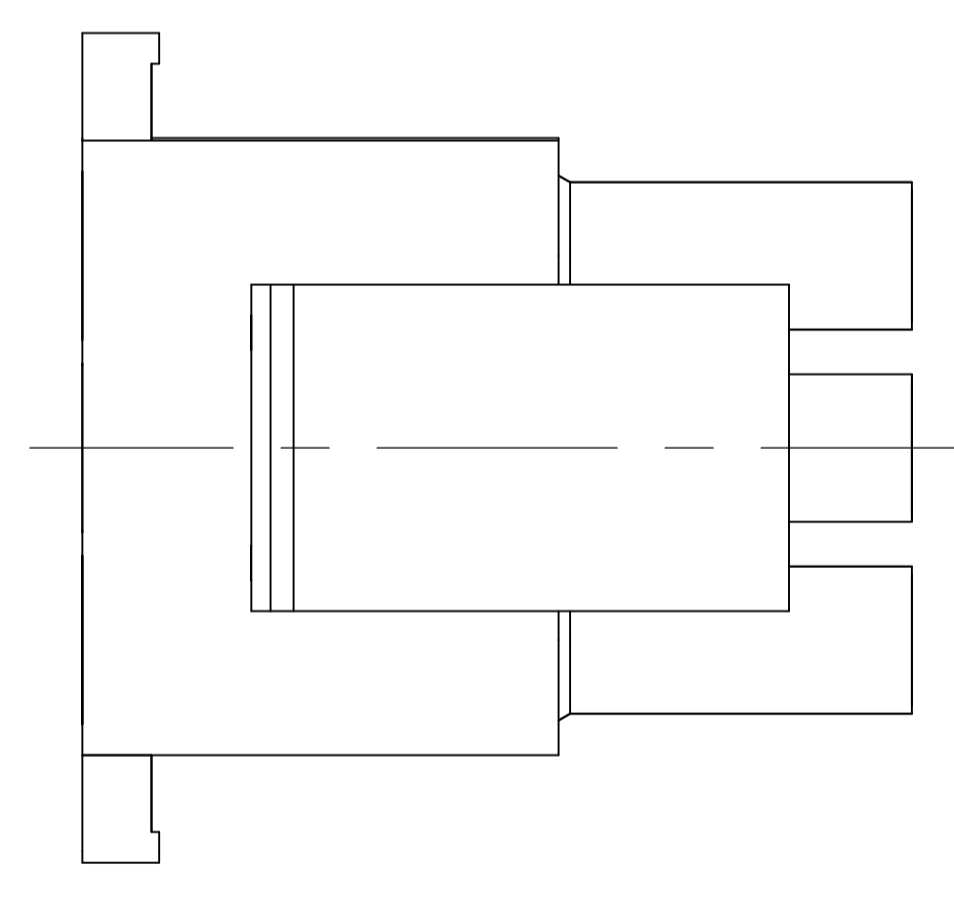
3-DIMENSIONAL MODEL NTS



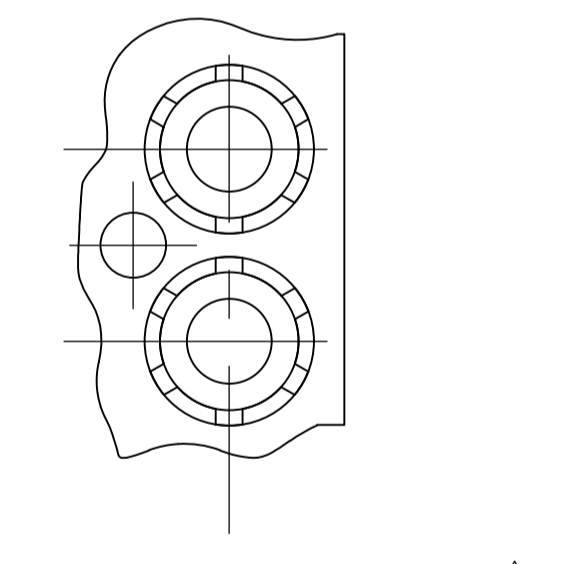
PARTIAL SECTION C-C



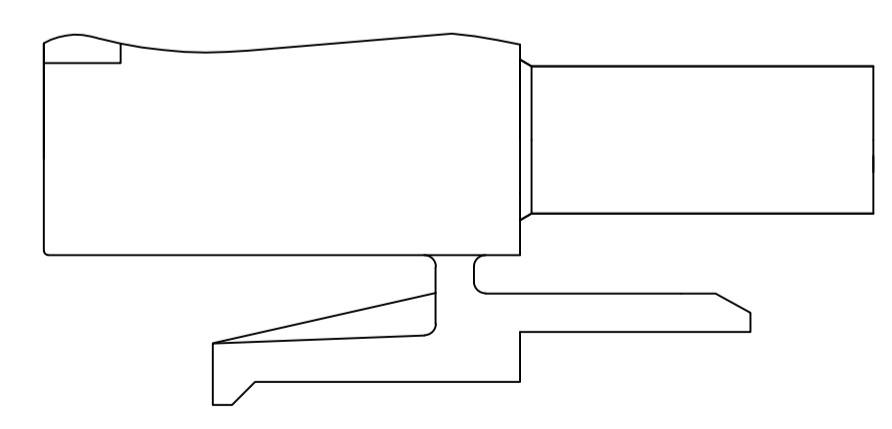
PARTIAL SECTION C-C
OPTIONAL CONSTRUCTION
45° REF



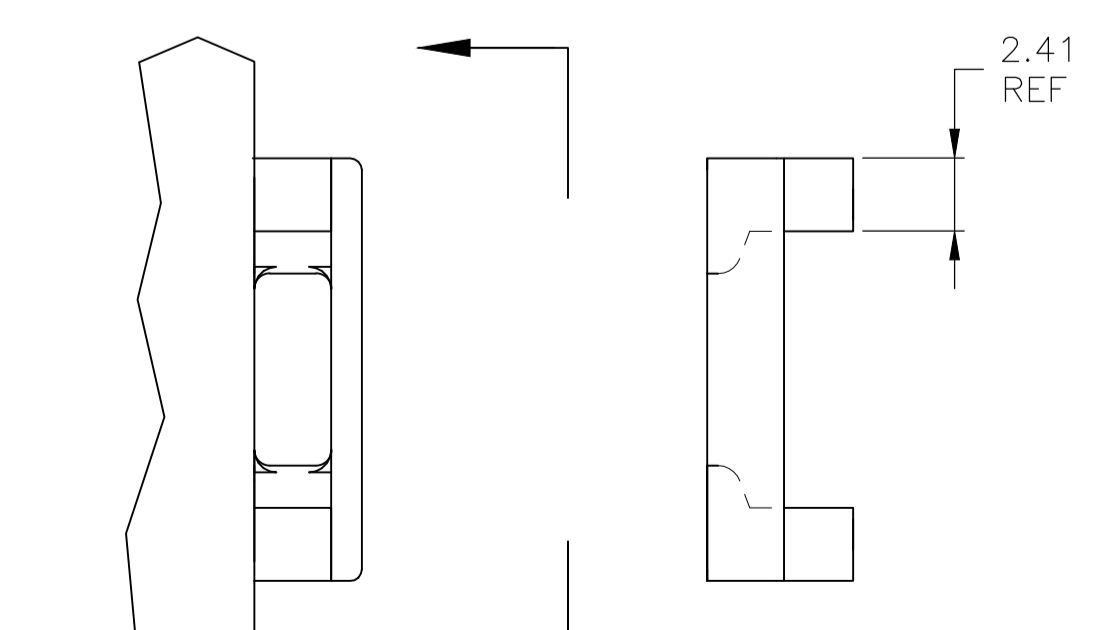
VIEW A-A
350736-4 ONLY



PARTIAL DETAIL D
OPTIONAL CONSTRUCTION



DETAIL B
350736-4 ONLY



VIEW P
OPTIONAL CONSTRUCTIONS
2.41 REF

BLACK	1-350736-9
GRAY	1-350736-8
BLUE	1-350736-6
GREEN	1-350736-5
YELLOW	1-350736-4
ORANGE	1-350736-3
RED	1-350736-2
BROWN	1-350736-1
△	350736-4
NATURAL	350736-1
COLOR	PART NUMBER

THIS DRAWING IS A CONTROLLED DOCUMENT.

DIMENSIONS:	TOLERANCES UNLESS OTHERWISE SPECIFIED:	DWG	K. WHITAKER	20FEB92
mm	0.15	CHK	R. SWING	20FEB92
	0.13	APPV	D. SELF	24FEB92
	0.10	NAME	PLUG, 15 CIRCUIT, UNIVERSAL MATE-N-LOK™	
	0.05	SIZE	A1	00779
	0.02	SCALE	4:1	SHEET 1 OF 1
	0.01	REV	Z	

MATERIAL: NYLON, UL 94V-0
FINISH: -
WEIGHT: -
CUSTOMER DRAWING

STE TE Connectivity