

## Data sheet

Commercial Art.No.: 96.050.4153.1

Distributor RST20i5B 2G1 F G 2SW

RST20i5 compact distribution unit for phase selection L2, 5 pole, application 250/400V with PE, 20A, 1 input and 2 outputs, with fastening option, coding color black, color of housing black



Commercial Art.No.	96.050.4153.1
EAN	4015573936485
Order Unit	1

Certificates / Approvals



## Technical data

### General

Rated current	20 A
Rated voltage	250 V / 400 V
Rated impulse voltage	4 kV
Pollution degree	3
Lockable	self-locking (unlocking by tool)
Color of coding/ contact carrier	black
Color of separate housing (only for modular versions)	black
Marking of poles	1, 2, 3, N, PE

### Model

Number of inputs	1
Number of outputs	2
Type of fastening	yes
Degree of protection (IP)	IP66/68 (3m;2h) /IP69
Type of distributor	Compact distributor

### Material

Housing material	Polyamide
halogen free	yes
Contact material	CuZn
Fire load	1.842 kWh
Insulation components continuous temperature	100 °C
Surface finish	Silver-plated

### Dimensions

Length	162 mm
--------	--------

Width	104 mm
Height	57.2 mm

**Classification**

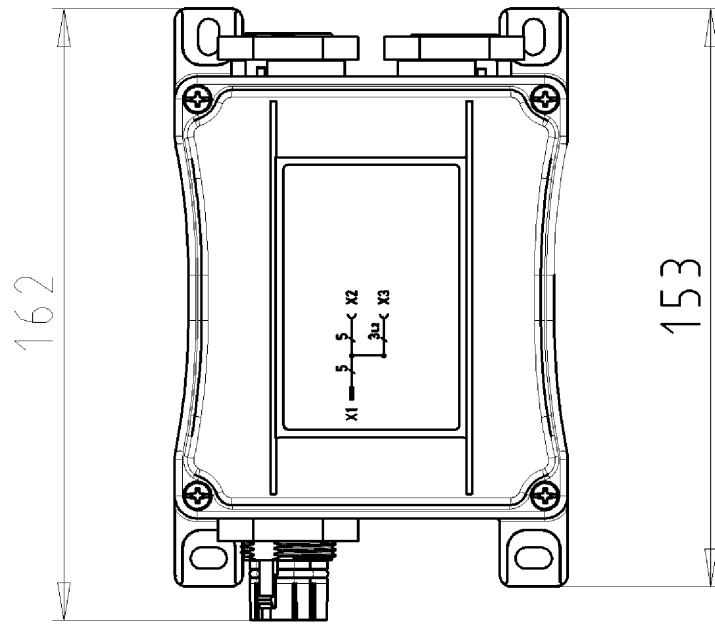
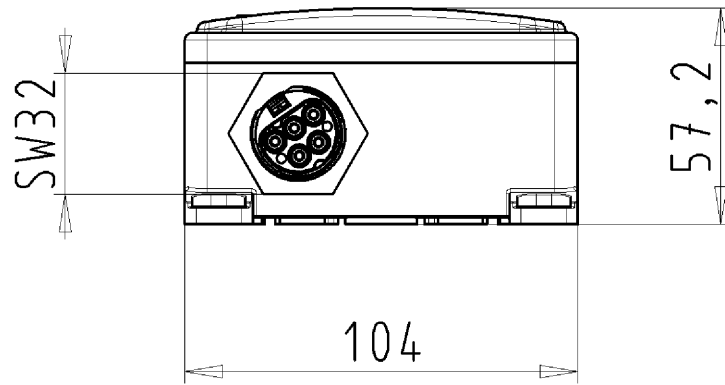
ECLASS 11	
ECLASS 8.1	27440603
ETIM 7.0	EC002567
ETIM 6.0	EC002567
ETIM 5.0	EC002567
ETIM 4.0	EC002567

**Product compliance**

ROHS conformity status	Compliant/Exempted
ROHS exceptions	III-6(c)
REACH-SVHC conformity status	Duty-To-Declare
REACH-SVHC substances	Lead
REACH-SVHC CAS numbers	7439-92-1

**Accessories**

Commercial Art.No.:	Article-type description:	Description:
05.565.9953.1	Cover for male connector SW	RST20i5/4 cover piece, for covering unused male connectors, color black
99.530.0000.7	Cover for female connector SW	RST20i5/4 cover piece, for covering unused female connectors, with fastening belt, color black
99.532.0000.7	Cover for male connector SW	RST20i5/4 cover piece, for covering unused male connectors, with fastening belt, color black
Z5.565.9853.1	Cover for female connector SW	RST20i5/4 cover piece, for covering unused female connectors, color black



VERTEILERBOX  
 96.050.4153.1 10W  
 07.04.2008 Weisensel F.  
 M1:2

Weitergabe sowie Vervielfältigung dieses Dokuments, Verwertung und Mitteilung  
 seines Inhalts sind verboten, soweit nicht ausdrücklich gestattet.  
 The reproduction, distribution and utilization of this document as well as the  
 communication of its contents to others without express authorization is prohibited.