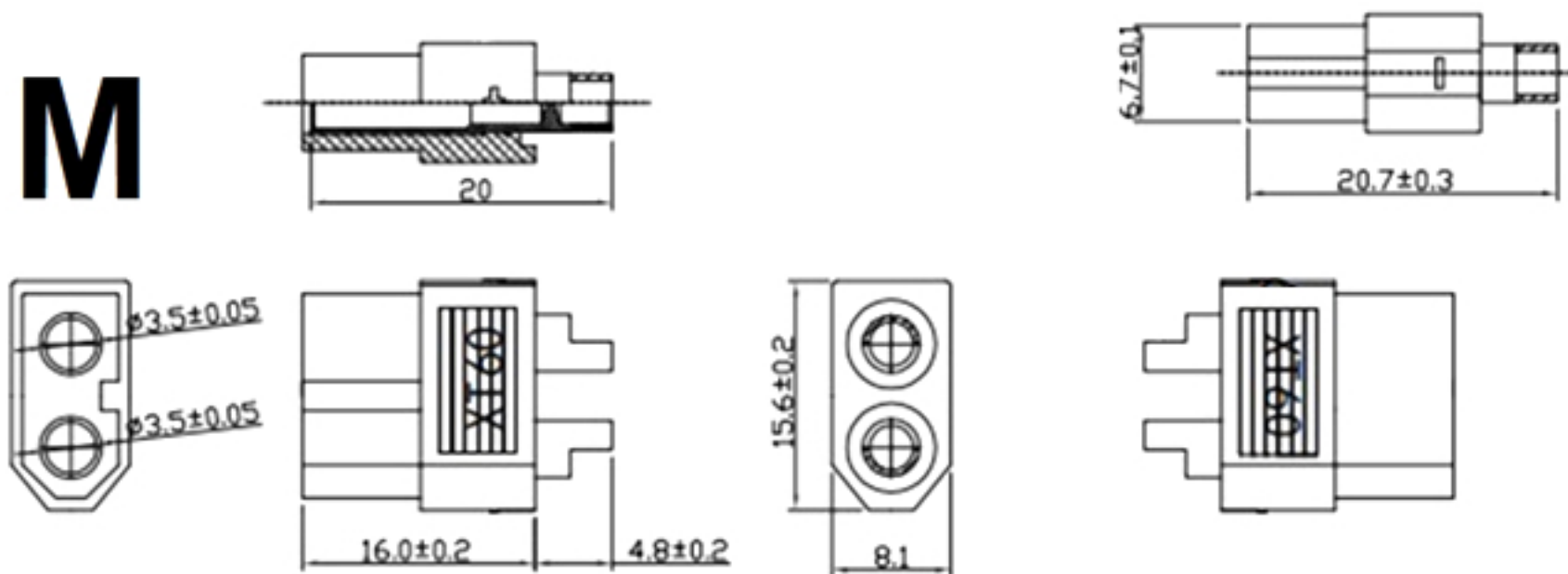
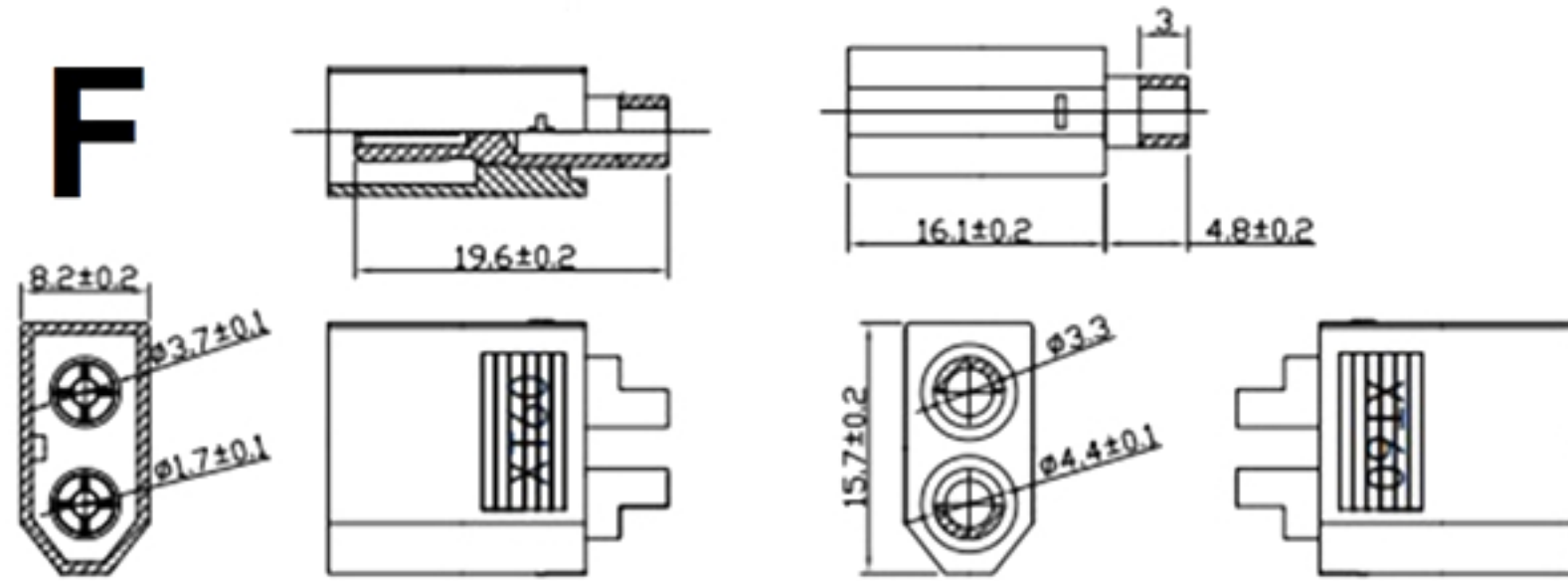


ITEM: XT60 M+F



Product model: XT60 M+F
Instantaneous current: 60A
Rated current: 30A
Rated voltage: DC500V
Contact resistance: 0.55mΩ

Insulation material: PA
Working temperature: -20--120 degrees Celsius
Recommended wire gauge: 14AWG
Recommended use times: 1000TIMES
Flame retardant rating: UL94-V2