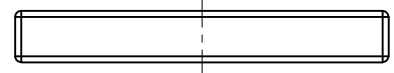
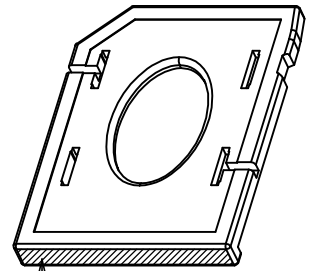
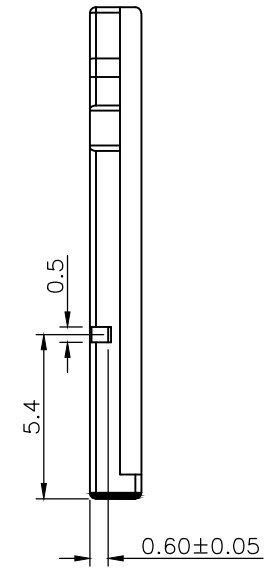
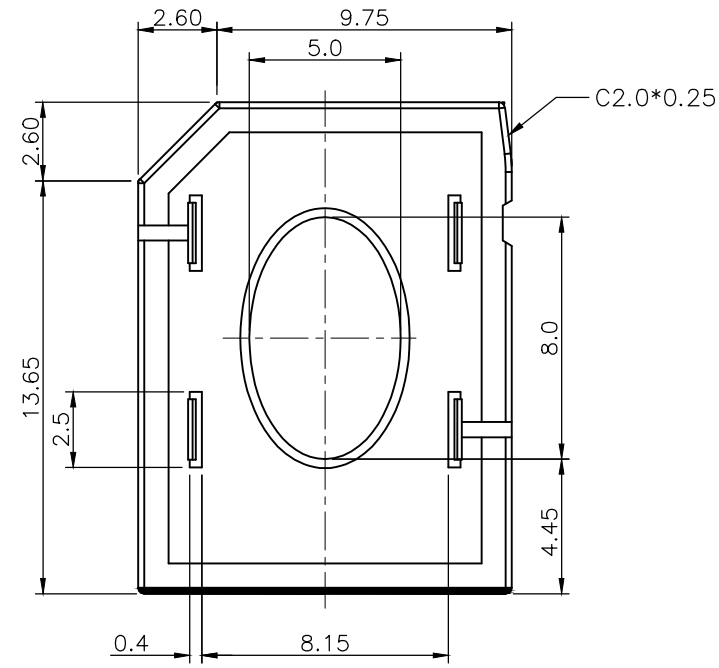
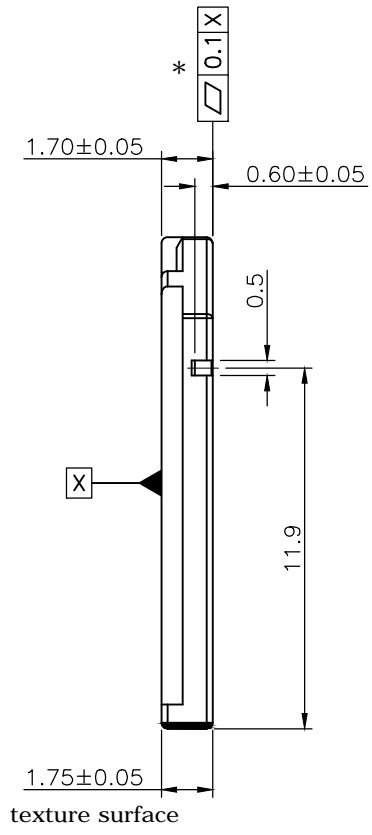


REV.	DESCRIPTION	DRAWN	DATE
1	INITIAL RELEASE	FROS	2020/04/29
2	ECR2100014	FROS	2021/06/28
3	ECR2200002	TIM	2022/01/13


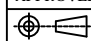
NOTE:

- MATERIAL: PC/ABS, UL 94V-0 Rated, Color black.
- RoHS + HF COMPLIANT PRODUCTS.

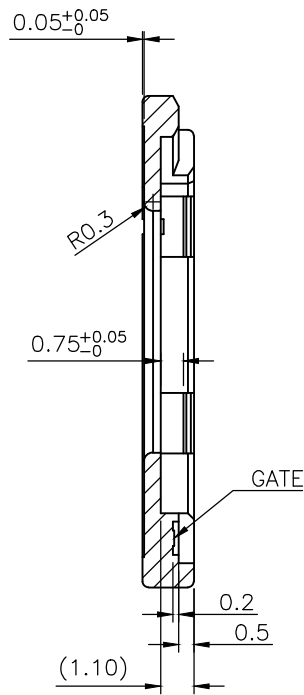
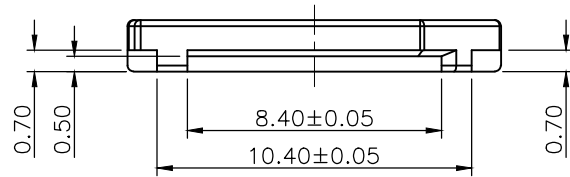
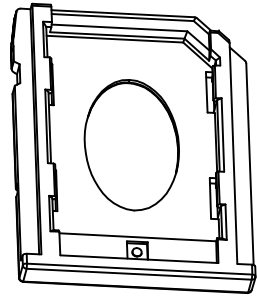


Finish:
Surface texture : MT-1055-1

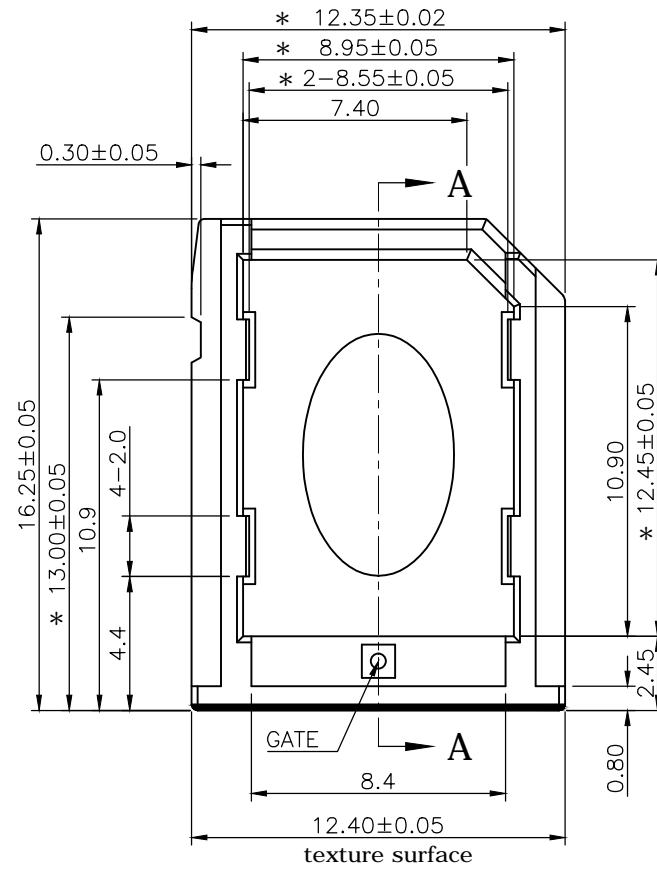


UNLESS OTHERWISE SPECIFIED TOLERANCE					
UNIT:	DECIMAL	LINEAR	ANGLES		
mm	X.	±0.50	±5°	www.attend.com.tw	
	X.X	±0.25	±3°		
	X.XX	±0.12	±1°		
DRAWN	Fros	2020/04/27	DRAWN NAME: Nano SIM Card Tray, Used for 115U-A101, Bag 3		
CHECKED	Tim	2020/04/27	PRODUCT NO. 115U-T001		
APPROVED	Ken	2020/04/27	FILE NAME 115U-T001_B_3		
 SCALE 4/1		SHEET 1/2	SIZE A4		

REV.	DESCRIPTION	DRAWN	DATE
	see sheet one		



SECTION A-A



UNLESS OTHERWISE SPECIFIED TOLERANCE			
UNIT:	DECIMAL	LINEAR	ANGLES
mm	X.	±0.50	±5°
	X.X	±0.25	±3°
	X.XX	±0.12	±1°



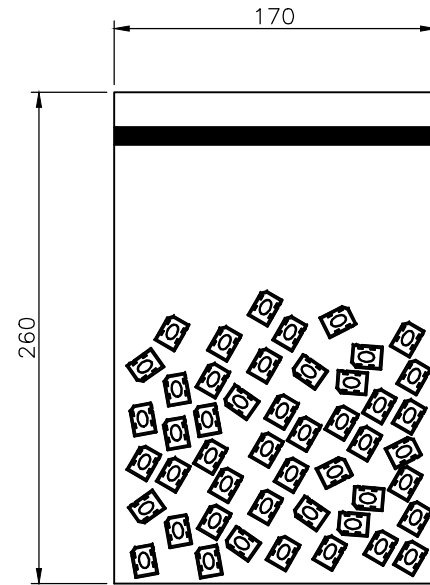
www.attend.com.tw

DRAWN	Fros	2020/04/27	DRAWN NAME:	
CHECKED	Tim	2020/04/27	Nano SIM Card Tray, Used for 115U-A101, Bag	
APPROVED	Ken	2020/04/27	PRODUCT NO.	115U-T001
SCALE	4/1	SHEET	2/2	SIZE
				A4
FILE NAME			115U-T001_B_3	


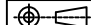
REV.	DESCRIPTION	DRAWN	DATE
1	INITIAL RELEASE	FROS	2020/04/27
2	ECR2200002	TIM	2022/01/13

NOTES:

Ziplock bag: Transparent plastic
Quantity: 700 Piece/ Bag



700 Pcs / 1 Bag

UNLESS OTHERWISE SPECIFIED TOLERANCE					
UNIT:	DECIMAL	LINEAR	ANGLES		
mm	X.	±0.50	±5°	www.attend.com.tw	
	X.X	±0.25	±3°		
	X.XX	±0.12	±1°		
DRAWN	Fros	2020/04/27	DRAWN NAME: Card Tray, Used for Nano SIM Card Socket		
CHECKED	Tim	2020/04/27	Push Push, Lock, PC+ABS, Black, Bag		
APPROVED	Ken	2020/04/27	PRODUCT NO.	115U-T001	
	SCALE 0.625	SHEET 1/1	SIZE A4	FILE NAME	115U-T001_D_2