

Data sheet

Commercial Art.No.: 92.943.3353.0

Connector GST18i4S B1 ZR1 TB03

GST18i4 connector, 4 pole, female with screw connection, coding according to customer requirement without PE, 20 A, coding color turquoise blue, strain relief color black



Commercial Art.No.	92.943.3353.0
EAN	4049088248665
Order Unit	1

Certificates / Approvals



Technical data

General

Rated current	20 A
Rated voltage	250 V / 400 V
Rated impulse voltage	4 kV
strain relief	yes
Pollution degree	2
Mechanical coding	Code 3
Lockable	self-locking (unlocking by tool)
Color of coding/ contact carrier	turquoise blue
Marking of poles	1, 2/N, 3, 4
Color of housing inclusive strain relief	black

Connection Data

Cable diameter max.	11.5 mm
Cable diameter min.	6.8 mm
Connection cross section solid mm ² max.	2.5 mm ²
Connection cross section solid mm ² min.	0.75 mm ²
Connection cross section fine stranded mm ² max.	2.5 mm ²
Connection cross section fine stranded mm ² min.	0.75 mm ²
Terminations per pole	1
sheath strip length	31 mm
Wire strip length	7 mm

Model

Model	female
Connection type	screw connection
Degree of protection (IP)	IP20

Material

Housing material	Polyamide
halogen free	yes
Contact material	CuZn
Fire load	0.119 kWh
Insulation components continuous temperature	100 °C
Surface finish	Tin-plated

Dimensions

Length	69.4 mm
Width	38 mm
Height	15 mm

Classification

ECLASS 11	
ECLASS 8.1	27440605
ETIM 7.0	EC002560
ETIM 6.0	EC002560
ETIM 5.0	EC002560
ETIM 4.0	EC002560

Product compliance

ROHS conformity status	Compliant/Exempted
ROHS exceptions	III-6(c)
REACH-SVHC conformity status	Duty-To-Declare
REACH-SVHC substances	Lead
REACH-SVHC CAS numbers	7439-92-1

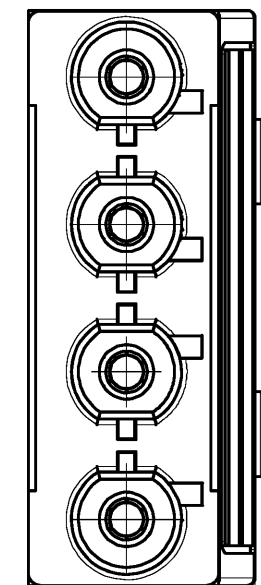
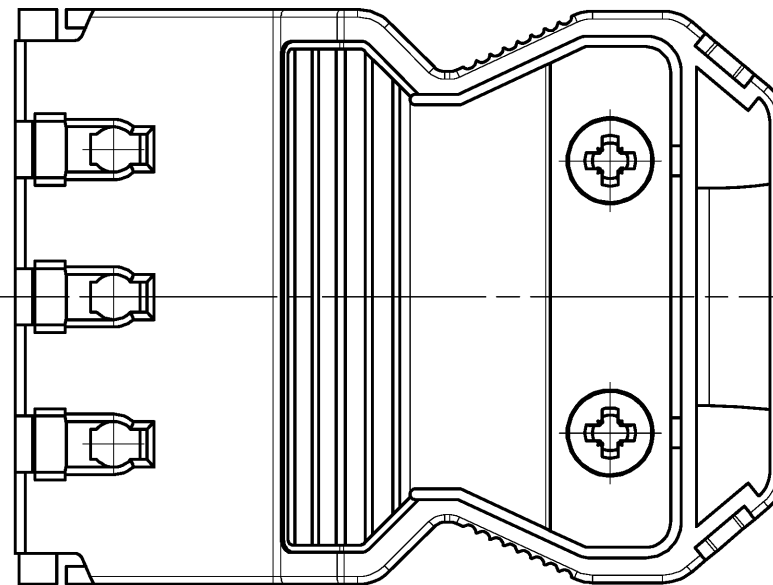
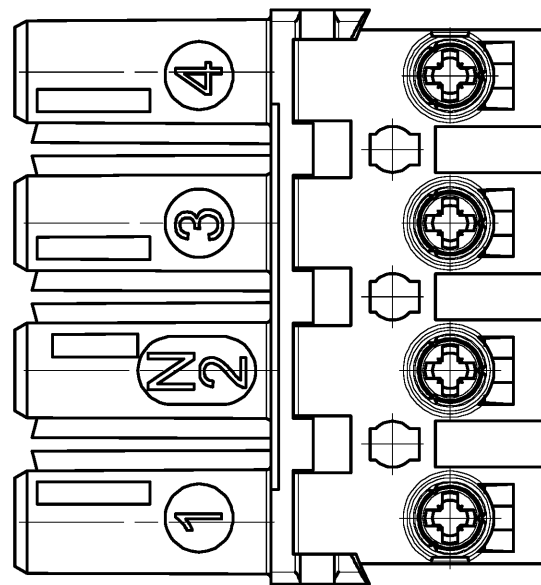
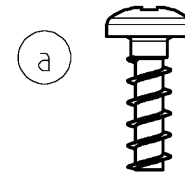
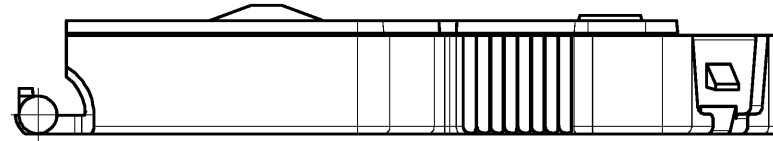
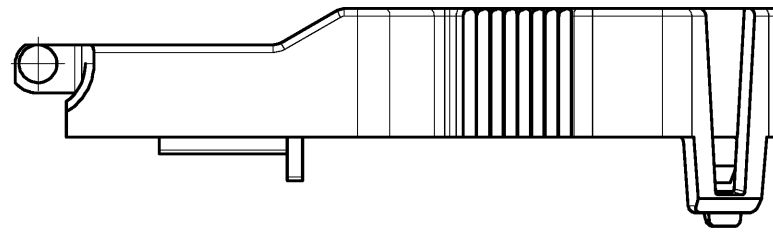
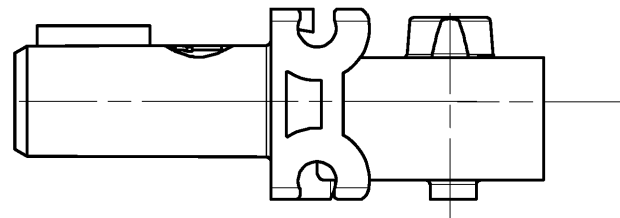
Accessories

Commercial Art.No.:	Article-type description:	Description:
05.587.3156.0	Lock (G)ST18 WS	Locking device for cable to cable connection GST18i3-5, white
05.564.5353.0	cover cap GST18i3/4/5 SW	Cover piece 12 pole black for female parts GST18i3-6
05.564.5353.2	cover cap GST18i3/4/5 WS	Cover piece 12 pole white for female parts GST18i3-6
05.566.9153.0	cover cap GST18i4 BUCHSEN	Cover for female connectors GST18i4, black
05.587.3156.1	Lock (G)ST18 SW	Locking device for cable to cable connection GST18i3-5, black

Fits with

Commercial Art.No.:	Article-type description:	Description:
92.044.0058.0	Device connector GST18i4L S1H WS	GST18i4 PCB mount with additional mounting option, 4 pole, male (horizontal), coding mains 250 V / 400 V, 20 A, coding color white
92.044.0158.0	Device connector GST18i4L S1H GR01	GST18i4 PCB mount with additional mounting option, 4 pole, male (horizontal), coding UPS 250 V / 400 V, 20 A, coding color pebble grey
92.207.1003.0	Cable assembly GST18i4KSB- 15 10TR01	gesis® Connection cable female - free end; length: 1 m; type GST18i4; 4- pole; Code 2; 250/400 V / 16 A; colour of coding: tomato red with blacks train relief; cable: H05VV-F 4G1,5 black, fire class Eca
92.944.3353.0	Connector GST18i4S S1 ZR1 TB03	GST18i4 connector, 4 pole, male with screw connection, coding according to customer requirement without PE, 20 A, coding color turquoise blue, strain relief color black

Auslieferungszustand: unmontiert
delivery condition: unmounted

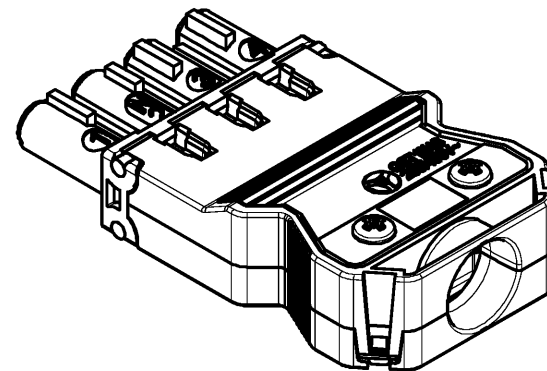
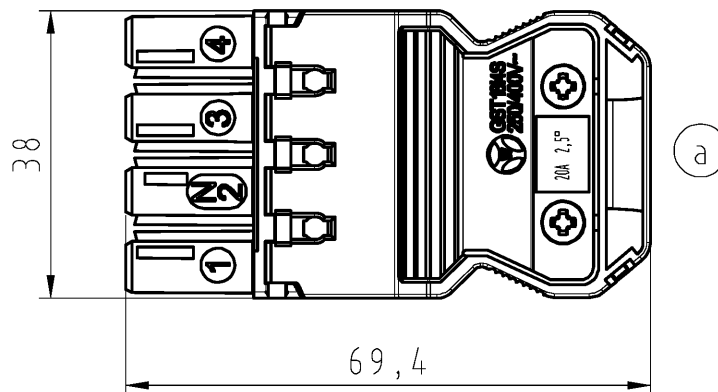


Darstellung M1:1 im montierten Zustand
representation M1:1 in assembled state

M/scale 1:1

Type: GST1814S B1 ZR1 TB03

Anwendung
nach Kundenwunsch
Application
according to
customers request



Tolerierung Size ISO 14405 (Tolerance system Size ISO 14405). (This ISO-standard describes the envelope principle. According to the envelope principle the deviations of form and parallelism are limited by the size tolerances).		ja/yes <input checked="" type="checkbox"/> Stoffverbots- und Deklarationsliste nach UU-TQM-05/03 ist einzuhalten. Conformity with Wieland document UU-TQM-05/03 (list of prohibited / declarable hazardous substances) to be declared!	
Freitoleranz nach General tolerance	CAD - Zeichnung, keine manuellen Änderungen CAD - drawing, no manual modifications allowed	1. Verwendung: First Use:	Blatt: 1 von 1 Sheet: of 1
Werkstoff/Material Farbe/colour: Türkisblau/turquoise blue	2014 Tag/Date Name gezeichnet/drawn 08.01. Ritter geprüft/checked - - Normgepr. Stand. check - -	Zeichnung Nr./Drawing No. 92.943.3353.0 01K a	
Maßstab/Scale 2:1	Maße in mm/Dimensions are in mm		
Vol. mm ³ Of l./Surf. mm ²	Ersatz für/Replacement for: -		
a Index Datum / Blatt Date / Sheet 07.08.2014/ www.wieland-electric.com	Type	Benennung/Title female connector with strain relief BUCHSENTE IL MIT ZUGENTLASTUNG Schraubanschluss/ screw connection 250/400V AC, 20A, 2,5qmm	

Weitergabe sowie Vervielfältigung dieses Dokuments, Verwertung und Mitteilung seines Inhalts sind verboten, soweit nicht ausdrücklich gestattet. Die Reproduktion, Distribution und Nutzung dieses Dokuments sowie die Kommunikation der Inhalte an Dritte ohne schriftliche Genehmigung ist ausdrücklich untersagt.