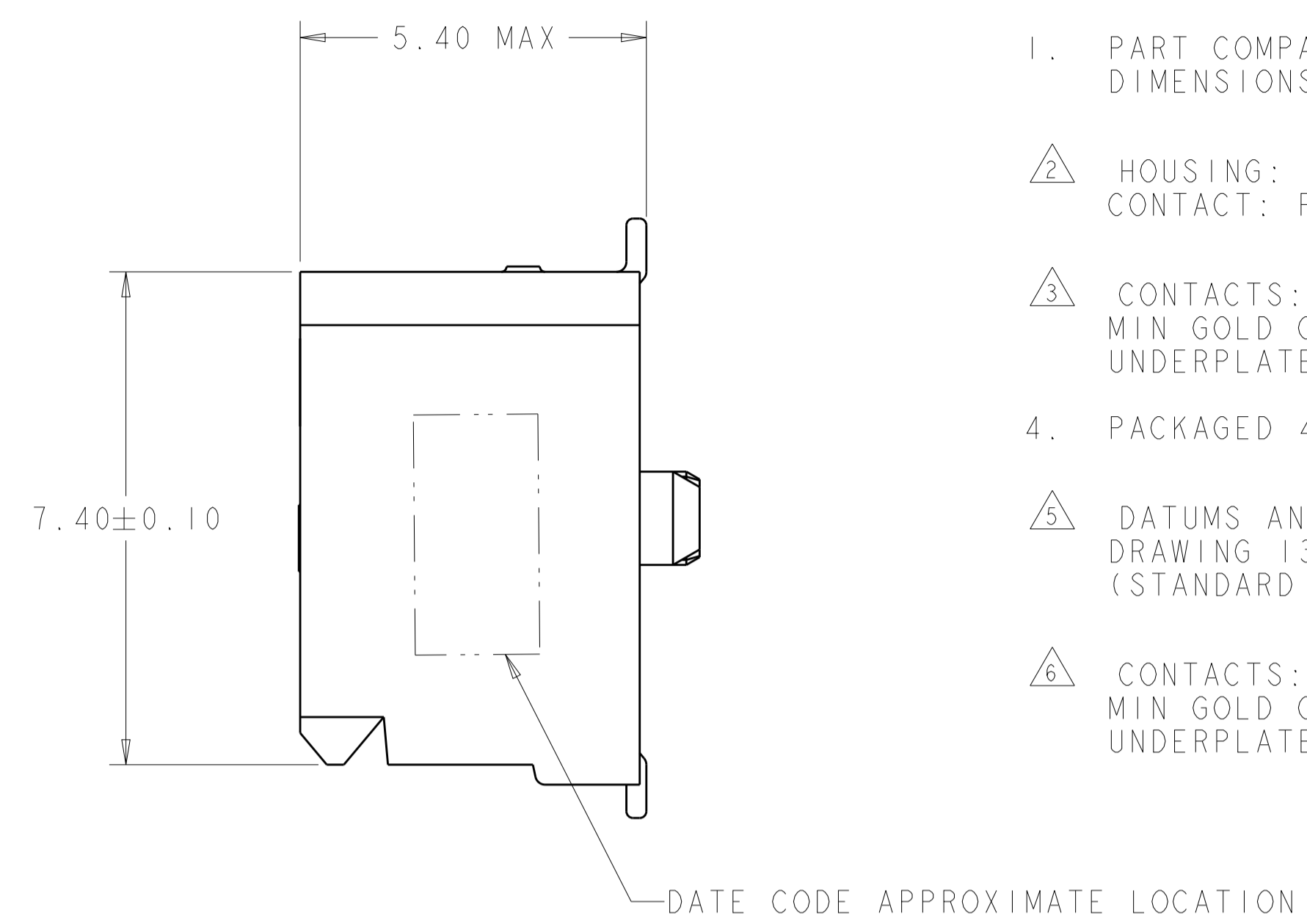
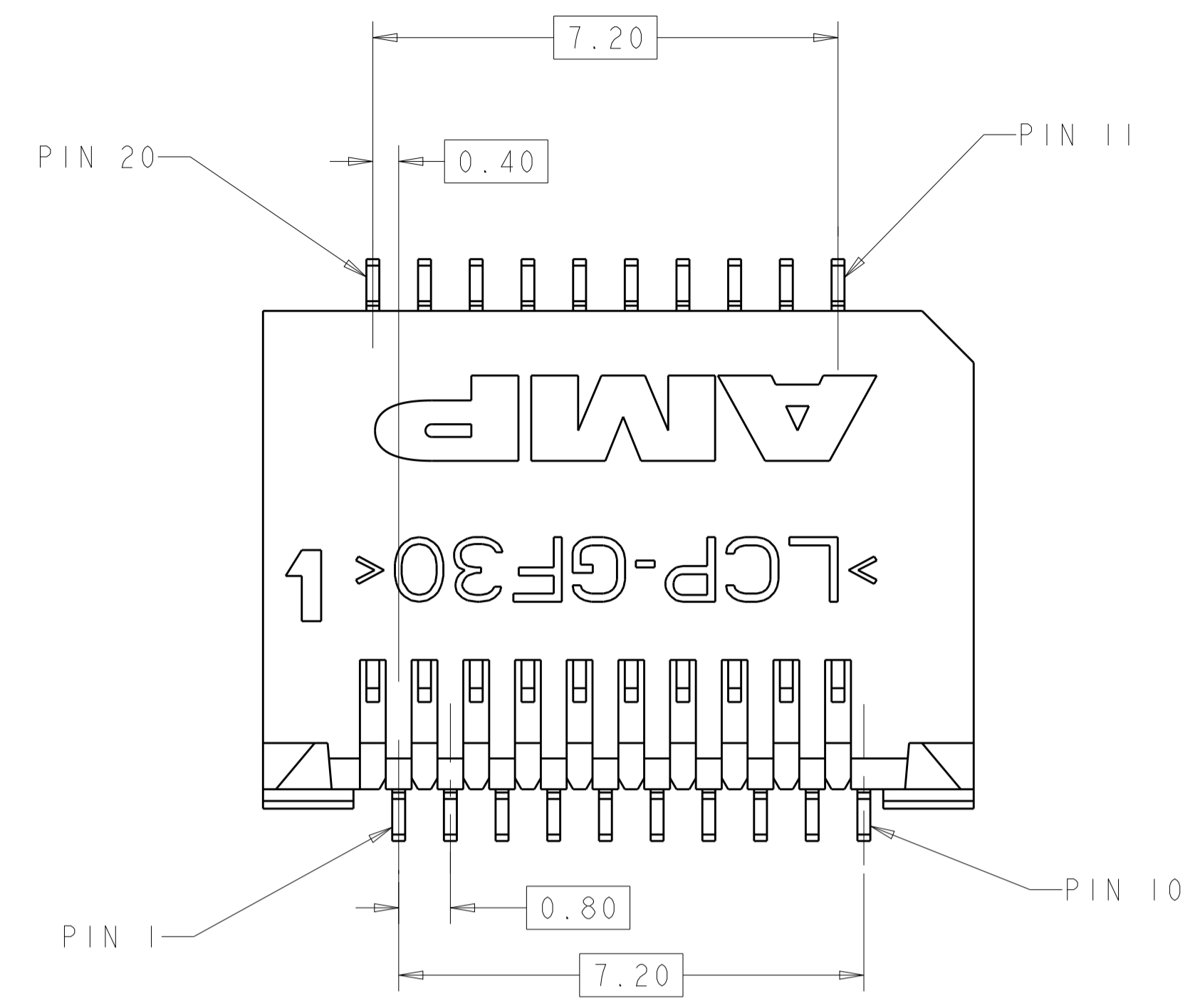
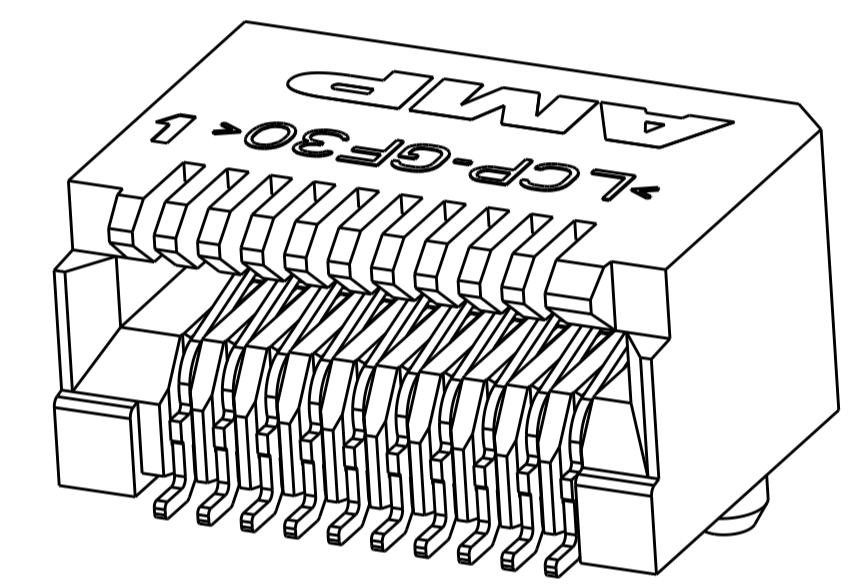
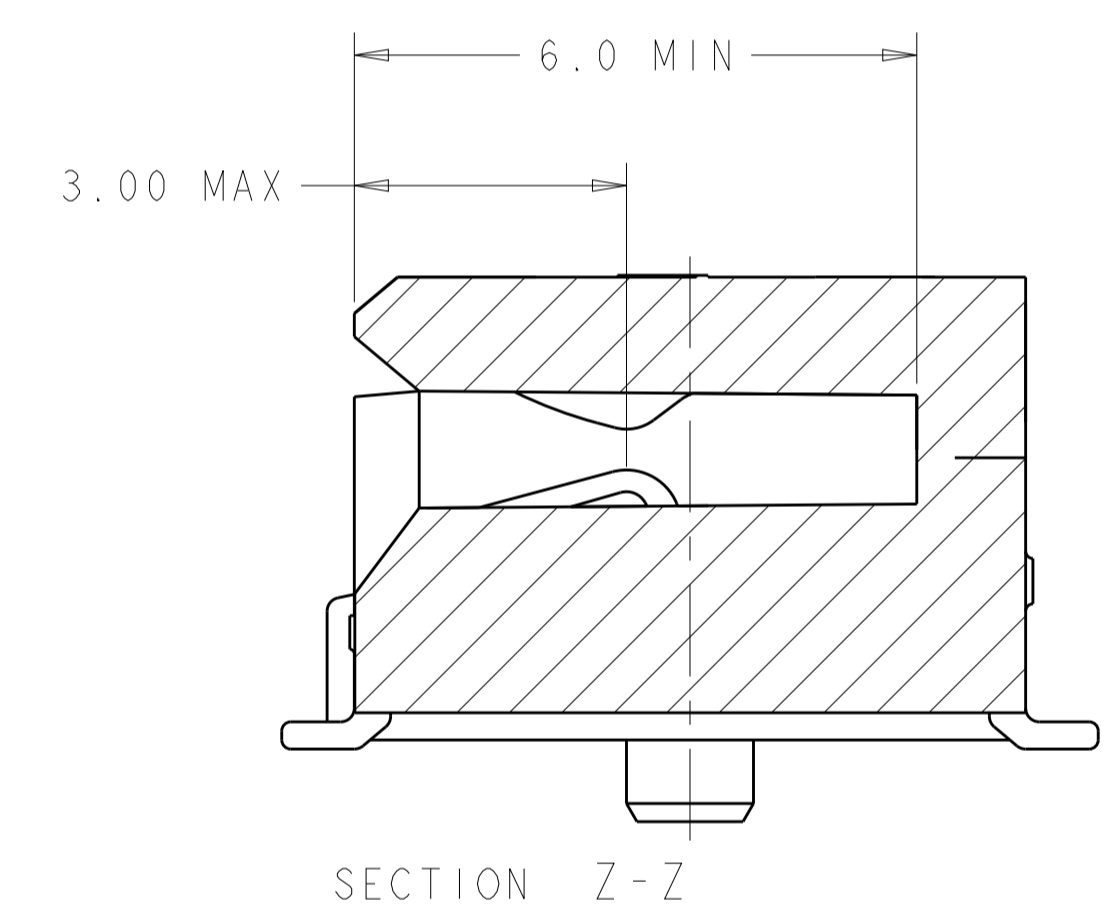
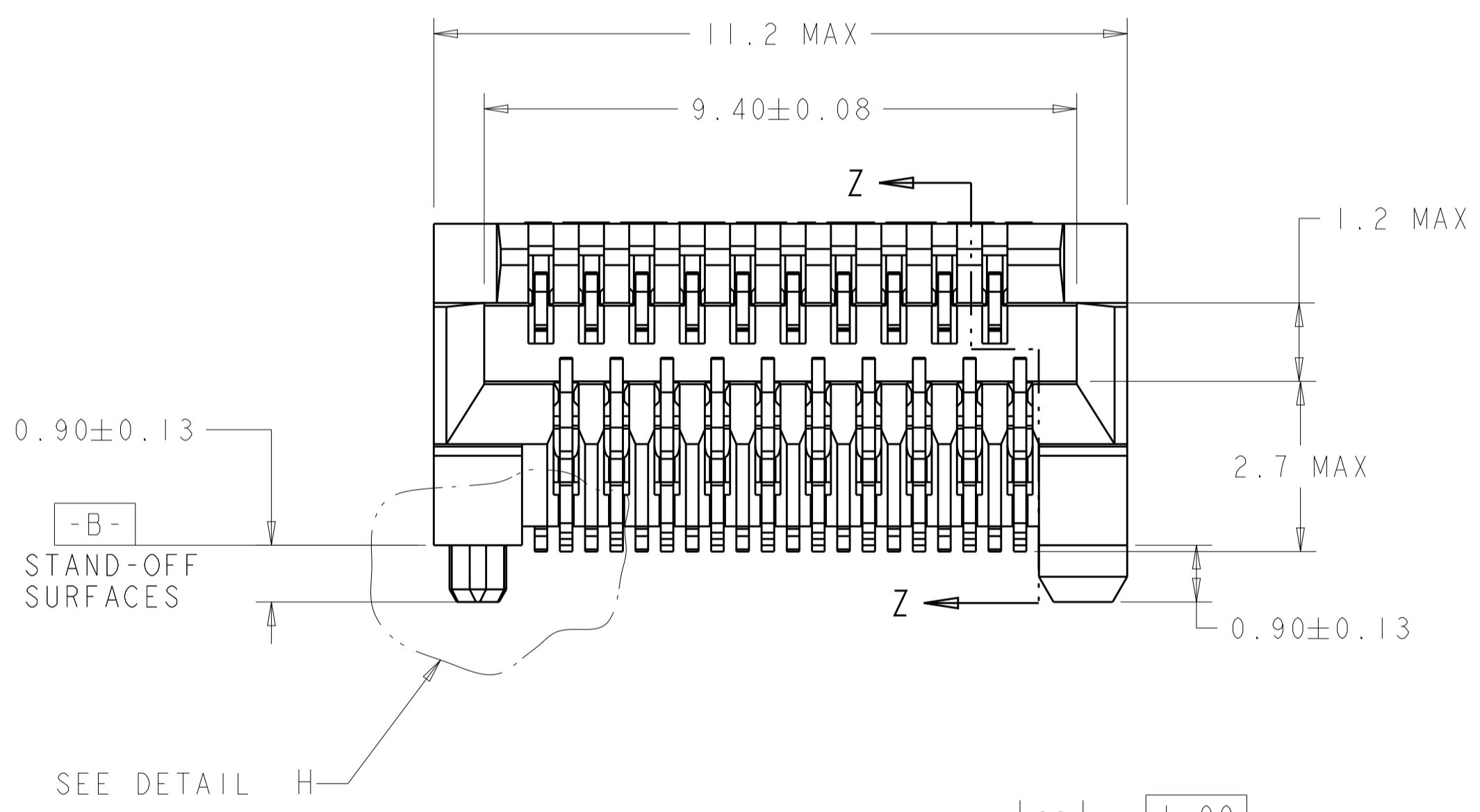


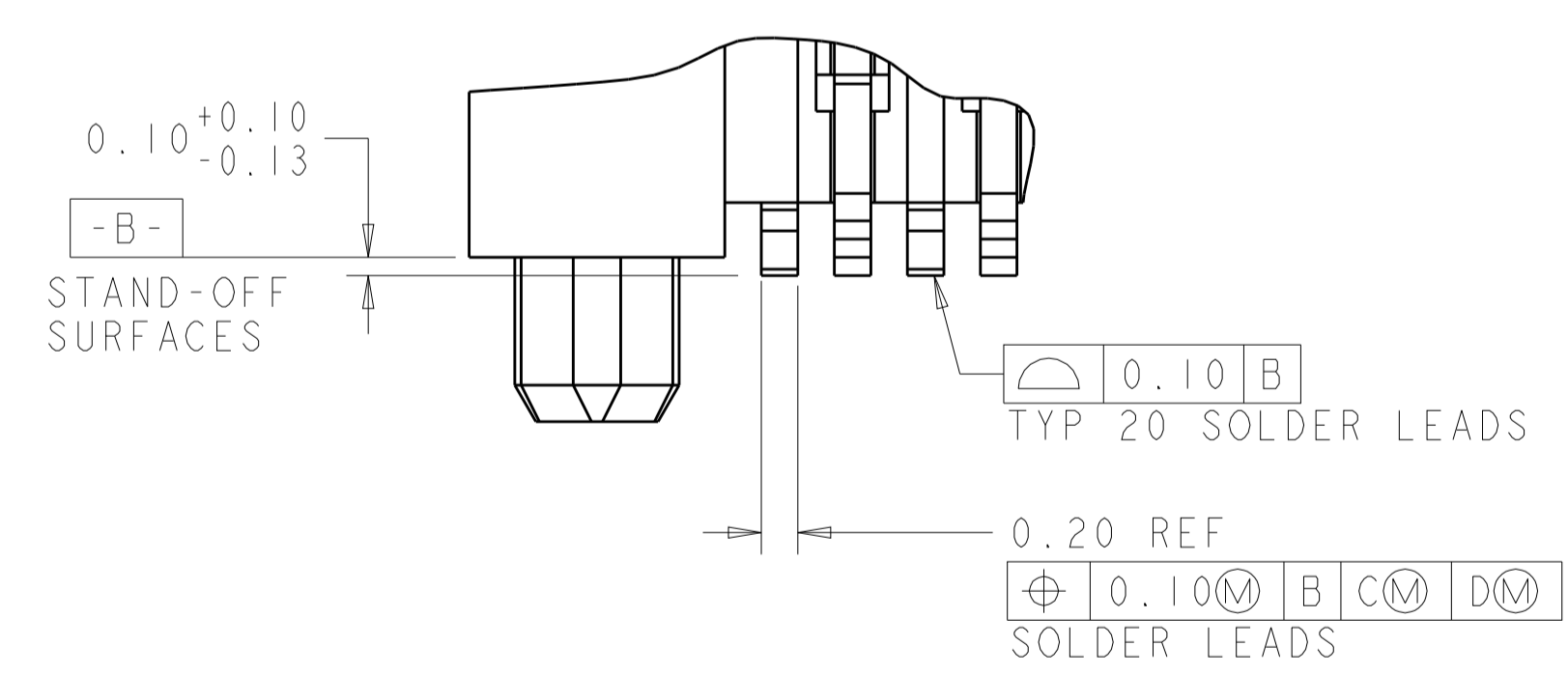
LOC	DIST	REVISIONS					
		P	LTN	DESCRIPTION	DATE	DWN	APVD
ES	00	J1		REVISED PER ECO-11-005033	09MAY2011	RK	HMR
		K		REVISED PER ECO-12-014566	18DEC2012	JY	AC
		L		UPDATE NICKEL PLATING THICKNESS	20JUN2017	JW	SH



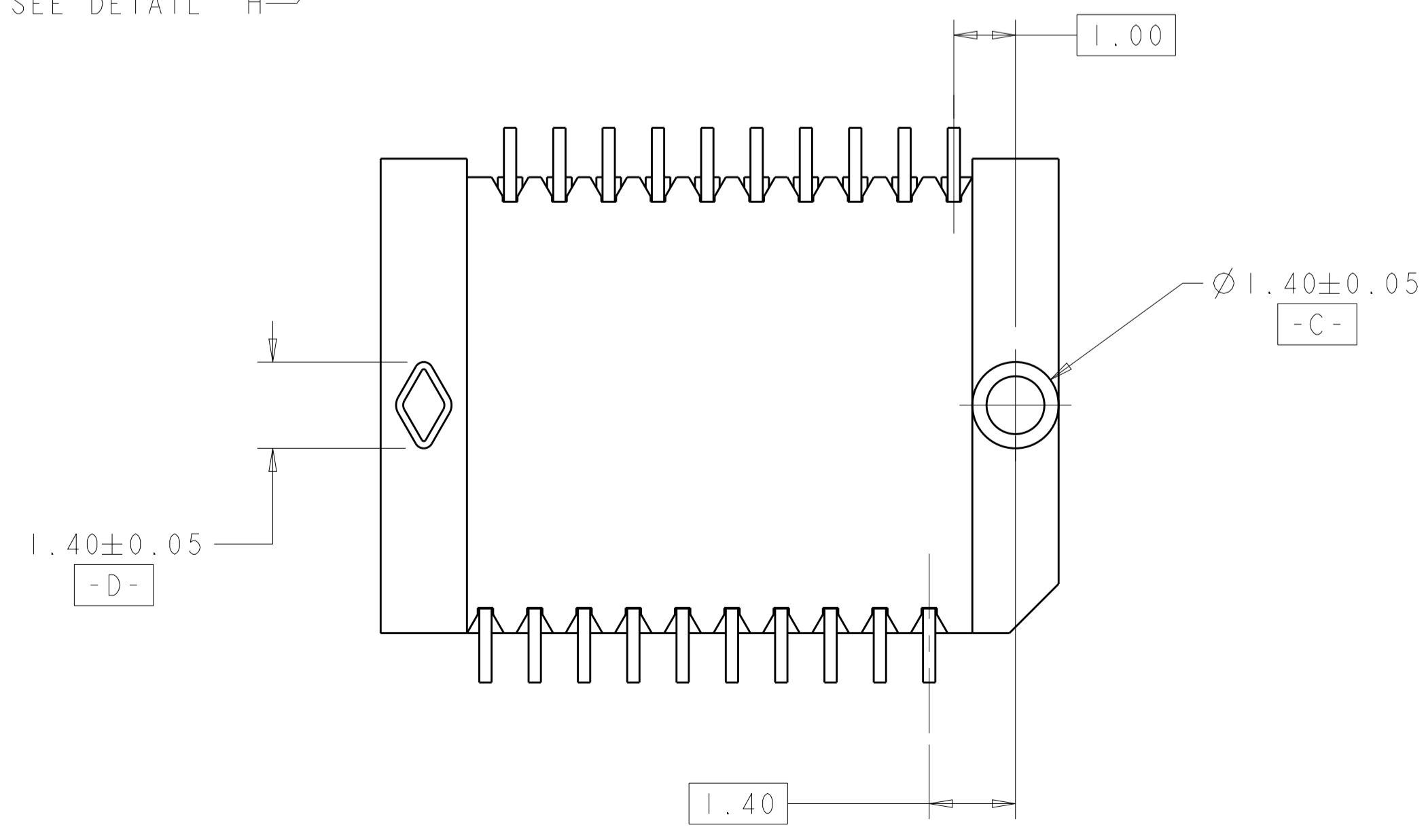
- PART COMPATIBLE WITH SFP MSA. REFER TO THE SFP MSA FOR DIMENSIONS NOT SHOWN ON THIS PRINT.
- HOUSING: HIGH TEMPERATURE LCP, UL 94V-0 RATED, BLACK. CONTACT: PHOSPHOR BRONZE.
- CONTACTS: 0.00038 MIN GOLD IN CONTACT AREA, 0.00013 MIN GOLD ON SOLDER AREA, OVER 0.00127 MIN NICKEL UNDERPLATE ON ENTIRE CONTACT.
- PACKAGED 480 PIECES PER REEL.
- DATUMS AND BASIC DIMENSIONS TO BE ESTABLISHED BY CUSTOMER, SEE DRAWING 1367034 FOR LAYOUT WHEN USED WITH 1367034-1 BOTTOM CAGE (STANDARD SFP APPLICATION).
- CONTACTS: 0.00076 MIN GOLD IN CONTACT AREA, 0.00013 MIN GOLD ON SOLDER AREA, OVER 0.00127 MIN NICKEL UNDERPLATE ON ENTIRE CONTACT.



SCALE 8:1



DETAIL H
SCALE 25:1



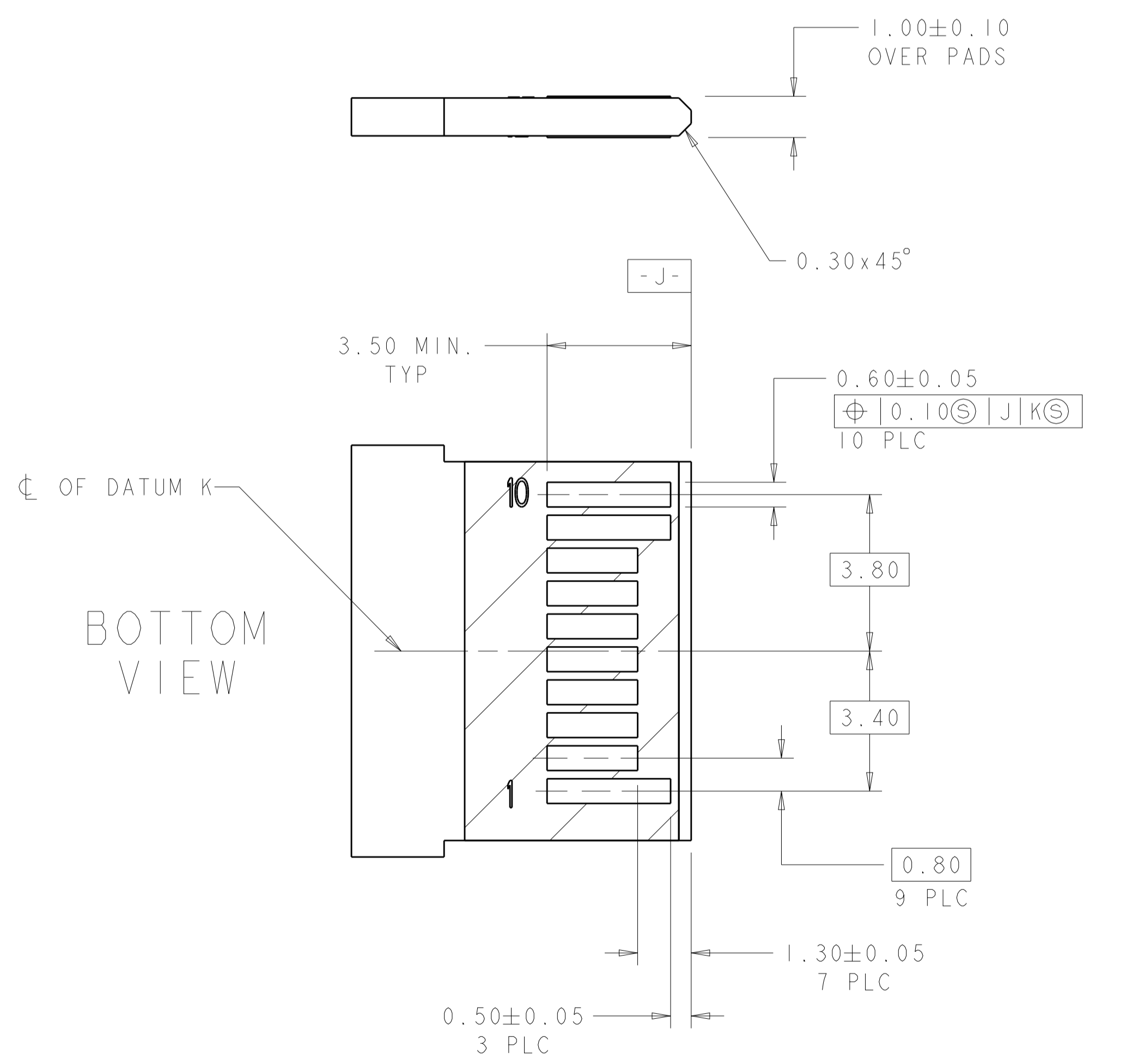
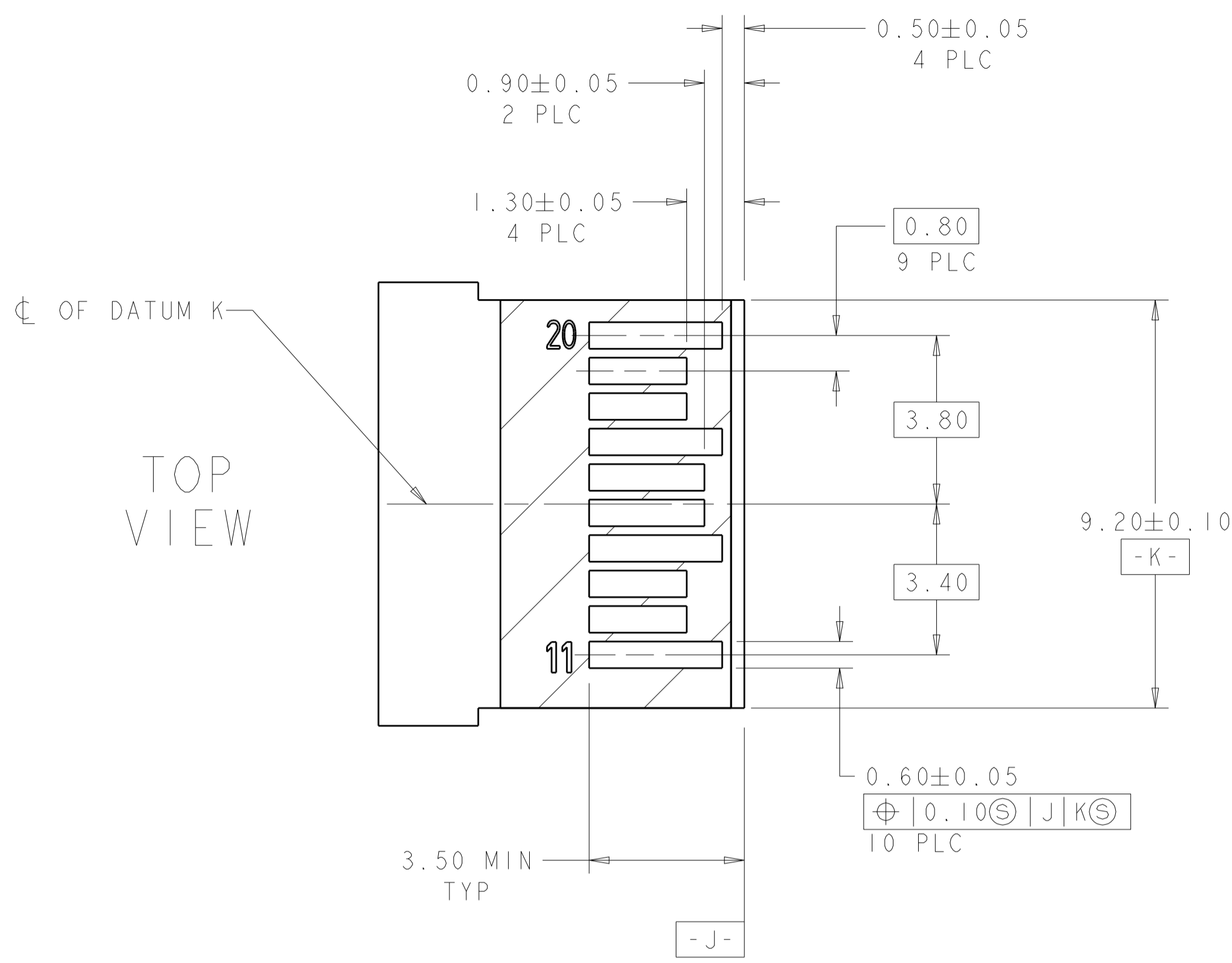
YES	△6	1367073-4
YES	△3	1367073-3
NO	△6	1367073-2
NO	△3	1367073-1
DATE CODE	FINISH	PART NUMBER

DIMENSIONS:		TOLERANCES UNLESS OTHERWISE SPECIFIED:		MATERIAL:	
mm	0 PLC	±		SEE TABLE	
	1 PLC	±	0.10		
	2 PLC	±	0.10		
	3 PLC	±	0.10		
	4 PLC	±	0.10		
	ANGLES	±			

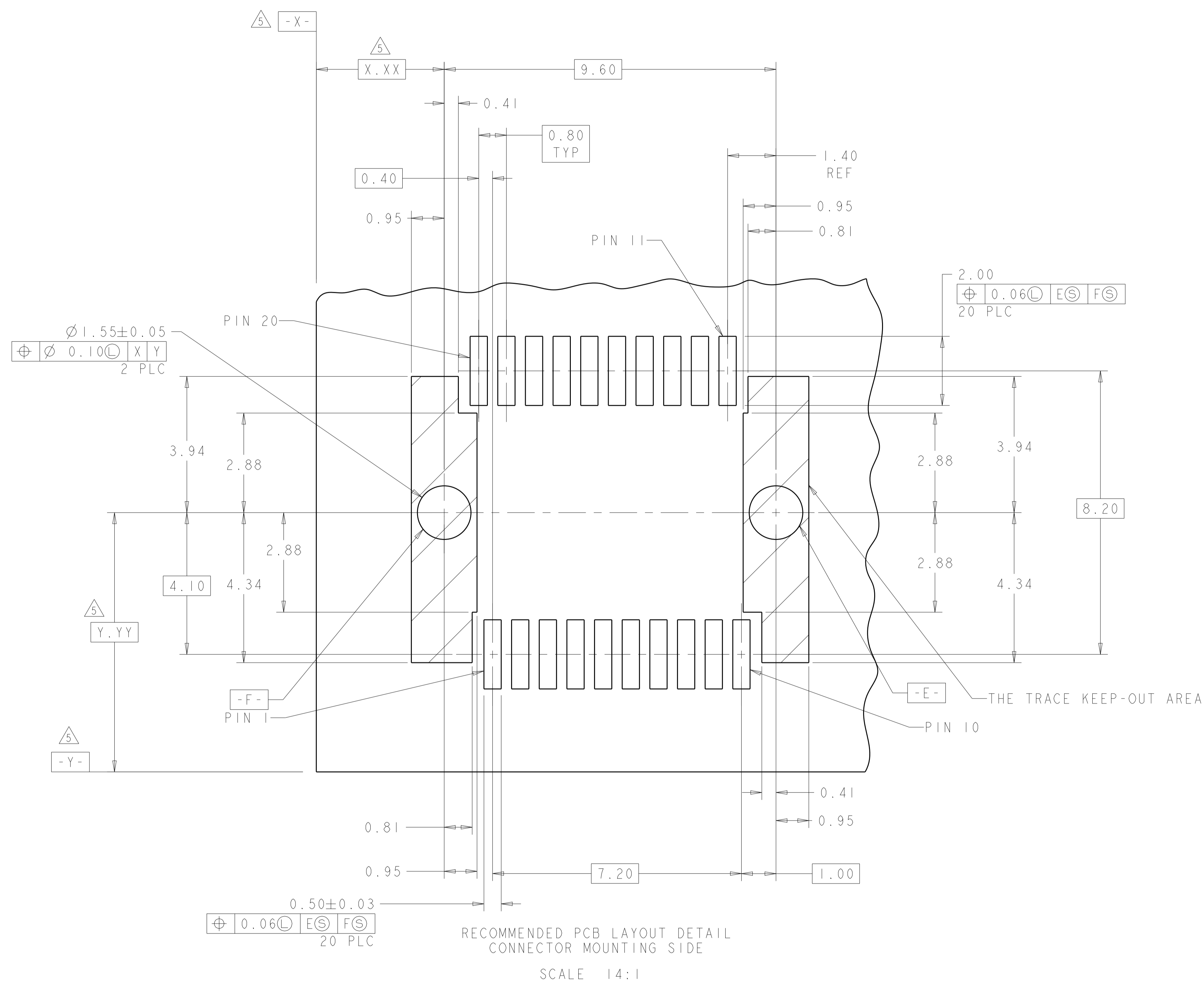
OWN	CHK	APP'D	DATE	NAME	SIZE	CAGE CODE	DRAWING NO	RESTRICTED TO
P. KERBLIN	E. BRIGHT	E. BRIGHT	01MAR2000	PT CONNECTOR ASSEMBLY, 20 POSITION, SFP, RTANG, 0.8MM	A1	00779	1367073	

Customer Drawing

LOC	DIST	REV	DATE	BY	APPV
ES	00				
REVISIONS					



RECOMMENDED LAYOUT DETAIL
 MATING TRANSCEIVER PCB
 SCALE 10:1



RECOMMENDED PCB LAYOUT DETAIL
 CONNECTOR MOUNTING SIDE
 SCALE 14:1

THIS DRAWING IS A CONTROLLED DOCUMENT.		OWN P. KERLIN 01MAR2000	TE Connectivity STE
DIMENSIONS: mm		CHK E. BRIGHT 01MAR2000	
TOLERANCES UNLESS OTHERWISE SPECIFIED:		APPV F. BRIGHT 01MAR2000	NAME PT CONNECTOR ASSEMBLY, 20 POSITION, SFP, RTANG, 0.8MM
0 PLC ±		PRODUCT SPEC	
1 PLC ±0.10		APPLICATION SPEC	
2 PLC ±		108-1949	
3 PLC ±		114-13017	
4 PLC ±		WEIGHT	
ANGLES ±		Customer Drawing	
FINISH		SCALE 12:1	
		SHEET 2 OF 2	
		REV L	