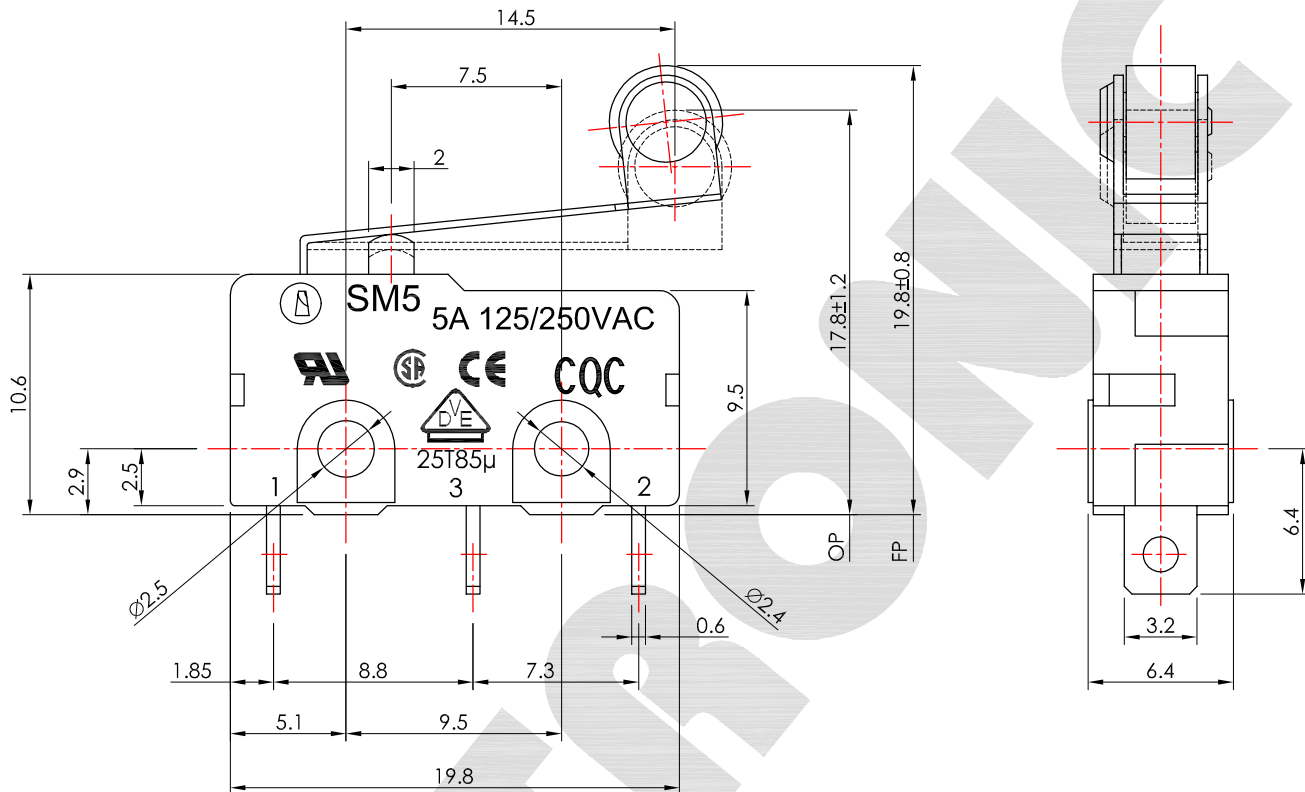
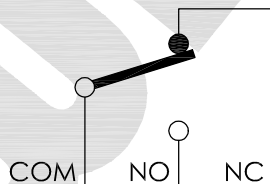


本圖面若與目錄之規格尺寸不符，以本圖面規格尺寸為主。  
Below is our main specification if different from catalog.

RoHS compliant



SCHEMATIC



RoHS compliant

SM5-05N-XXG-G

OPERATING FORCE

14, 20, 25, (30), 34, 40, (45), 50, 68, 75, 90

( ): Standard

**SPECIFICATION**

- Rating: 5A 125 / 250V AC.
- Insulation resistance:  $\geq 100M\Omega$  500V DC.(initial value)
- Withstand voltage: 1,000V AC 1 minute.(initial value)
- Contact resistance:  $\leq 50m\Omega$ .(initial value)
- Mechanical life: 1,000,000 Cycles.
- Electrical life: 10,000 Cycles.
- Operating temperature:  $-25^{\circ}C \sim +85^{\circ}C$ .
- Operating force:  $45\pm 20g$ .
- Minimum load: 100mA 10V DC.(reference only)
- Ambient humidity used:  $< 85\%RH$ .
- Soldering time: 1 time only.
- Note: Not washable, don't immerse into epoxy and organic solvent.



V2.1	△		
V2.0	無	新繪製	2008.06.02
版本 VER.	符號 SYMBOL	修改內容 ALTERATION	更新日期 DATE

產品 PRODUCT		Micro Switch		型號 MODEL NO.		SM5-05N-45G-G	
比例 SCALE	3 : 1	單位 UNIT	mm	<p>一綺電子企業股份有限公司 總公司：110 台北市信義路四段415號13樓之3 13F-3 NO. 415, SEC. 4, HSIN YI ROAD, TAIPEI, TAIWAN TEL : 886-2-27290229(Rep.) FAX : 886-2-27582086 URL : <a href="http://www.switronic.com.tw">http://www.switronic.com.tw</a> E-MAIL : <a href="mailto:switches@ms36.hinet.net">switches@ms36.hinet.net</a></p>			
公差 TOLERANCE	.X=±0.3mm, .XX=±0.2mm						
製圖 DRAWN BY	核圖 CHECKED BY	主管 APPROVED BY					
Jack Liao	Alex Lin	Margaret Lee					