

SCM3406ASA Half-duplex Transceiver

Features

- 3.0-5.5V single supply operation
- Baud Rate Up to 10 Mbps
- 1/8 Unit Load—Up to 256 Nodes on a Bus
- Bus-Pin ESD Protection Up to 15 kV
- Driver short circuit protection

Applications

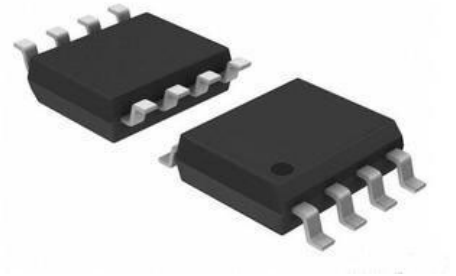
- Industrial Automation
- Building Automation
- Smart Electricity Meter
- Remote Signal Interaction, Transmission

Functional Description

SCM3406ASA is a half-duplex enhanced transceiver designed for RS-485 data bus networks. Powered by 3VDC-5.5VDC supply, the SCM3406ASA is fully compliant with TIA/EIA-485A standard and is suitable for data transmission of up to 10 Mbps. Receivers have an exceptionally high input impedance, which places only 1/8 of the standard load on a shared bus and up to 256 transceivers.

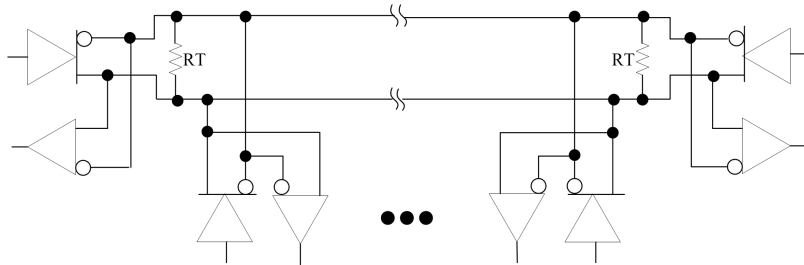
The reliability design of A B pin is emphasized, including driver output over current protection and enhanced ESD design. The ESD protection level of A,B pin can be up to 15kV (Human Body Model).

Package

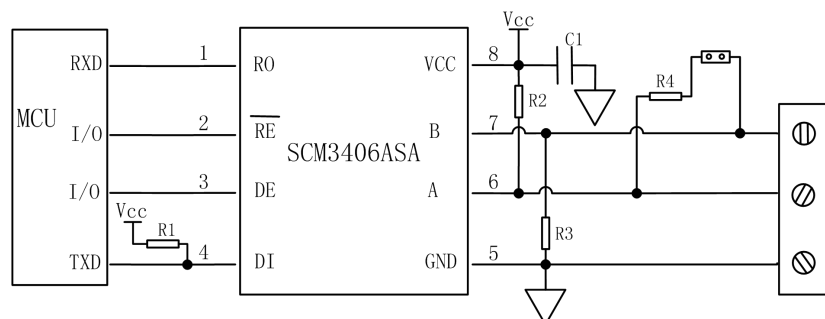


Mechanical package: SOP-8
(see "Ordering information" for details).

Typical Application Circuit



Typical Circuit 1: Half-Duplex Network

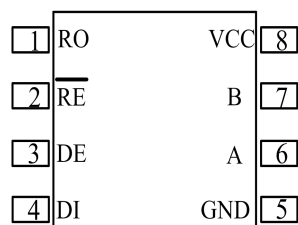


Typical Circuit: 2 Application Diagram

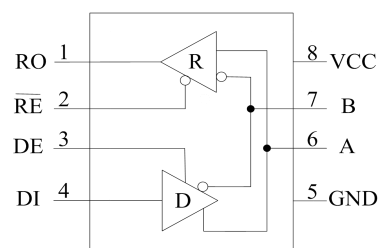
Contents

Feature and Package	1	Electrical Characteristics.....	3
Applications.....	1	Transmission Characteristic.....	4
Functional Description.....	1	Typical Performance Curves.....	4
Typical Application Circuit.....	1	Test Circuits.....	6
Pin Connection.....	2	Detailed Description.....	9
Inner Block Diagram.....	2	Expansion output design.....	9
Function Table.....	2	Suggestions for Power Supply.....	9
Pin Description.....	2	Order Information.....	10
Absolute Maximum Rating.....	3	Package Information.....	10
Recommended Operating Conditions.....	3	Tape & Reel Information.....	11

Pin Connection



Internal Block Diagram



Function table

Driver					Receiver			
Input			Outputs		Input			Output
RE	DE	DI	A	B	RE	DE	A-B	RO
X	H	H	H	L	L	X	$\geq -40\text{mV}$	H
X	H	L	L	H	L	X	$\leq -220\text{mV}$	L
L	L	X	Z	Z	L	X	Open/Short	H
H	L	X	Z (SHUTDOWN)		H	H	X	Z
					H	L	X	Z (SHUTDOWN)

Pin descriptions

Pin Number	Pin Name	Pin Functions
1	RO	Receiver Output. When RE is low and if $(A - B) \geq -40\text{mV}$, RO is high. If $(A - B) \leq -220\text{mV}$, RO is low.
2	RE	Receiver Output Enable. When RE is low, RO is enabled. When RE is high, RO is high impedance. Drive RE high and DE low to enter shutdown mode.
3	DE	Driver Output Enable. When DE is high, outputs are enabled. When DE is low, outputs are high impedance. Drive DE low and RE high to enter shutdown mode.
4	DI	Driver Input.
5	GND	Ground
6	A	Non-Inverting Driver Output / Receiver input
7	B	Inverting Driver Output / Receiver input
8	VCC	Positive Supply VCC. Bypass to GND with a 0.1uF capacitor.

Absolute Maximum Ratings

General test conditions: Free-air, normal operating temperature range (unless otherwise specified).

PARAMETERS	UNIT
Supply voltage range, V _{CC}	-0.3V~+7V
Voltage range at A or B	-15V~+15V
Voltage range at DE, DI, \overline{RE} , RO	-0.3V ~ (V _{CC} + 0.3V)
Storage Temperature	-55°C~150°C
Lead Temperature (soldering, 10s)	300°C

Support $\pm 15V$ in receiver mode, and $-8 \sim +13V$ in driver mode

Important: Exposure to Absolute Maximum Rated conditions for an extended period may severely affect the device reliability, and stress levels exceeding the "Absolute Maximum Ratings" may result in permanent damage.

Recommended Operating Conditions

Recommended Operating Conditions	Min.	Nom.	Max.	Unit
Supply Voltage, V _{VCC}	3	5	5.5	V
Voltage at any bus terminal (differential or common mode), V _I	-7		12	
High-level input voltage (DI, DE, \overline{RE}), V _{IH}	2		V _{CC}	
Low-level input voltage (DI, DE, \overline{RE}), V _{IL}	0		0.8	
Differential load resistance	54	60		Ω
Signaling rate			10000	kbps
Operating ambient temperature, T _A in free-air	-40		125	°C
Maximum operating junction temperature, T _J			150	°C

Electrical Characteristics

General test conditions and V_{VCC}= 5V, T_a = 25°C (unless otherwise specified).

PARAMETERS	CONDITIONS	Min.	Nom.	Max.	Unit	
Digital Input Signals: DI, DE, \overline{RE}						
Logic input thresholds	High, V _{IH}	2			V	
	Low, V _{IL}			0.8		
Driver						
Differential Driver Output (V _{OD})	No Load			V _{VCC}	V	
Differential Driver Output (1)	V _{in} =3V, R _L =54 Ω , Figure 16	1.5	1.9		V	
Differential Driver Output (2)	V _{in} =5V, R _L =54 Ω , Figure 16	2.1	2.8			
Differential Driver Output (3)	R _L =60 Ω , V _{CM} = -7 ~ 12V, V _{CC} = 3.0~3.6V, Figure 17	1.5		V _{VCC}		
Driver Common Mode Output Voltage	Figure 18	1		3	V	
Change in Common Mode Output Voltage	Figure 19			± 0.05	V	
Driver Short Circuit Current Limit	-7V \leq V _{OUT} \leq 12V, Figure 22			± 150	mA	
Receiver						
Receiver Input Resistance	-7V \leq V _{OUT} \leq 12V	96			k Ω	
Input Current (A, B pins)	DE=0, \overline{RE} =0, V _{VCC} =0 or 5.5V	V _{OUT} = 12V		120	μA	
		V _{OUT} = -7V	-110		μA	
Change in magnitude of differential output voltage	I _O = ± 8 mA	-220		-40	mV	
Receiver Input Hysteresis			70		mV	
Receiver Output Voltage	V _{OH} , Figure 23	I _{OUT} = -8mA, V _{CC} = 4.5V ~ 5.5V, V _{ID} =1V	3	4.5	V	
	V _{OH} , Figure 23	I _{OUT} = -8mA, V _{CC} = 3.0V ~ 3.6V, V _{ID} =1V	2.45	2.65		
	V _{OL} , Figure 23	I _{OUT} = 8mA, V _{CC} = 4.5V ~ 5.5V, V _{ID} =1V				0.4
	V _{OL} , Figure 23	I _{OUT} = 8mA, V _{CC} = 3.0V ~ 3.6V, V _{ID} =1V				0.5

Supply and Protection						
I _{VCC}	Driver and receiver enabled	DE = V _{VCC} , $\overline{\text{RE}} = 0$, No load		1900	2200	uA
	Driver enabled, receiver disabled	DE = V _{VCC} , $\overline{\text{RE}} = \text{V}_{\text{VCC}}$, No load		1800	2200	uA
	Receiver enabled, driver disabled	DE = V _{VCC} , $\overline{\text{RE}} = 0$, No load		1700	2000	uA
	Driver and receiver disabled	DE = 0, $\overline{\text{RE}} = \text{V}_{\text{VCC}}$, No load		1650	2000	uA
ESD	Human Body Model	A, B and GND		±15		kV
		Other pins		±4		kV
	IEC61000-4-2	A, B and GND		±15		kV
EFT	IEC61000-4-4	A, B and GND		±1		kV

Transmission Characteristics

General test conditions and V_{VCC} = 5V, Ta = 25°C (unless otherwise specified).

PARAMETERS	CONDITIONS	Min.	Nom.	Max.	Unit
Driver					
Data Signaling Rate	Duty Cycle 40% ~ 60%			10000	kbps
Driver Propagation Delay (T _{PHL} , T _{PLH})	R _L = 54Ω, C _L = 50pF, Figure 19		21	30	ns
Driver Output Rise/Fall Time (T _R , T _F)			8		ns
Driver Differential Skew (T _{PHL} - T _{PLH})			3	6	ns
Driver Enable to Output High (T _{PZH})	R _L =110Ω, $\overline{\text{RE}} = 0$, Figure 20, Figure 21		20	45	ns
Driver Enable to Output Low (T _{PZL})			30	50	ns
Driver Disable from Output High (T _{PHZ})			30	50	ns
Driver Disable from Output Low (T _{PLZ})			30	50	ns
Receiver					
Receiver Propagation Delay (T _{PLH} , T _{PHL})	C _L = 15pF, Figure 22		35	50	ns
Receiver Differential Skew (T _{PLH} - T _{PHL})			10	15	ns
Receiver Output Rise/Fall Time (T _R , T _F)	C _L = 15pF, V _{DI} =-1.5V~1.5V, Figure 22		14		ns
Receiver Enable to Output High (T _{PZH})	C _L = 15pF, Figure 23, Figure 24		20	30	ns
Receiver Enable to Output Low (T _{PZL})			25	40	ns
Receiver Disable from Output High (T _{PHZ})			30	60	ns
Receiver Disable from Output Low (T _{PLZ})			30	60	ns

Typical Performance Curves

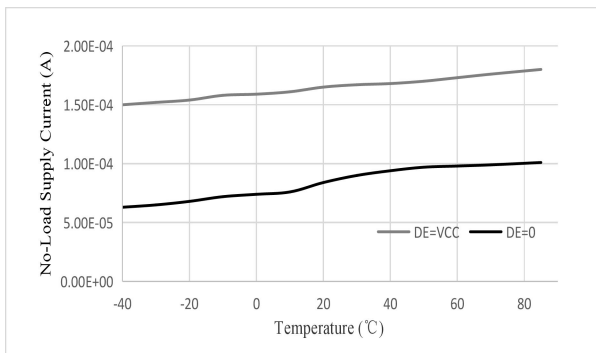


Figure 1 No-Load Supply Current vs. Temperature

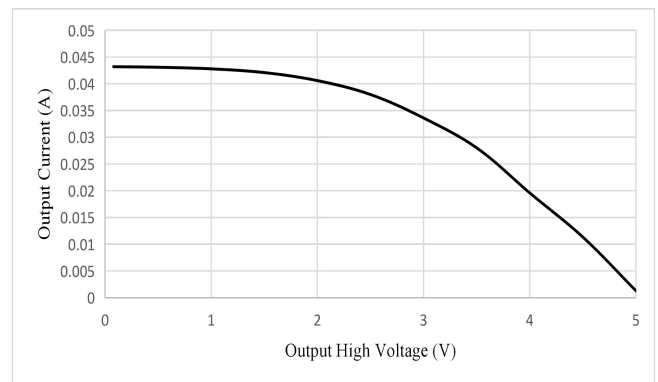


Figure 2 Output Current vs. Receiver Output High Voltage

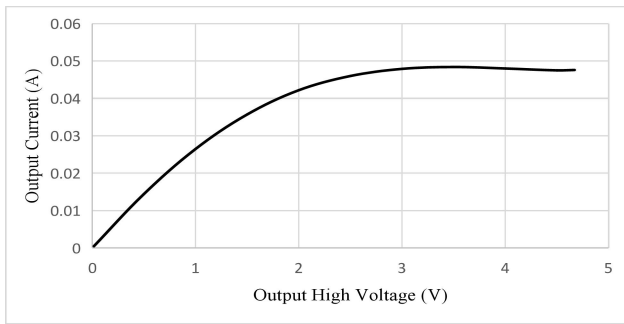


Figure 3 Output Current vs. Receiver Output Low Voltage

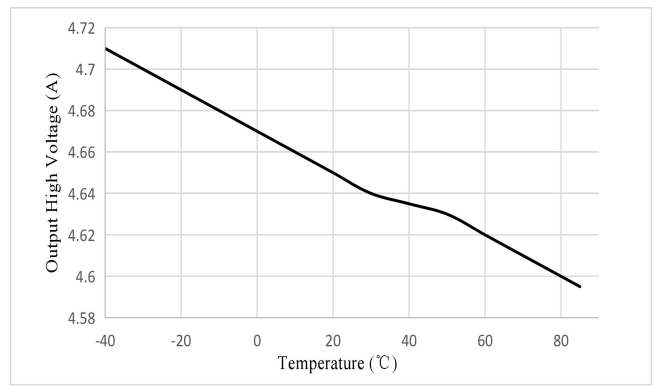


Figure 4 Receiver Output High Voltage vs. Temperature

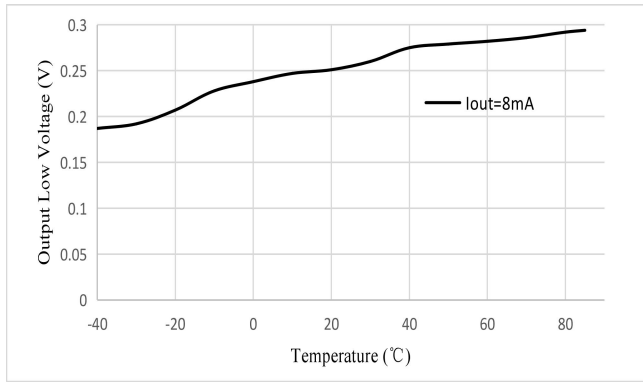


Figure 5 Receiver output low voltage vs. Temperature

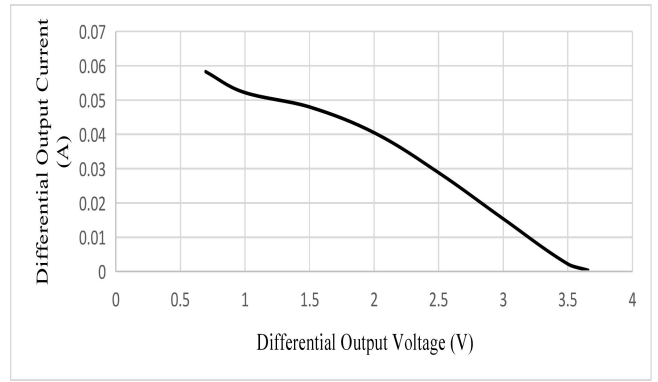


Figure 6 Driver differential output current vs. Differential output voltage

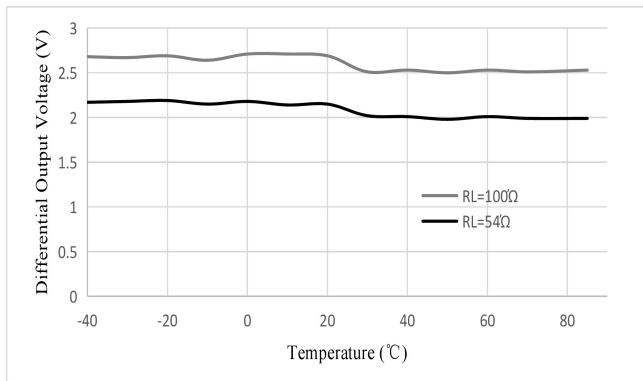


Figure 7 Driver Differential Output Voltage vs Temperature

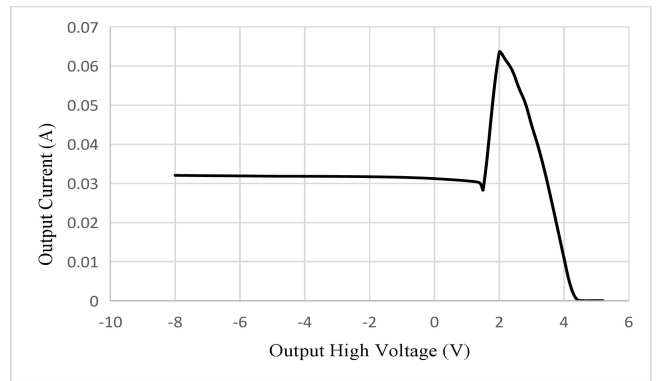


Figure 8 Output current vs. Transmitter output high voltage

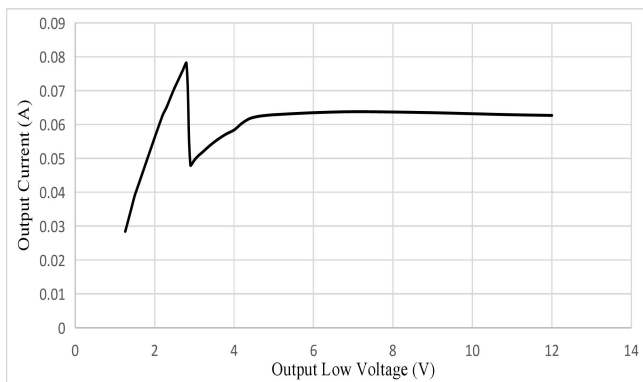


Figure 9 Output current vs. Transmitter output low voltage

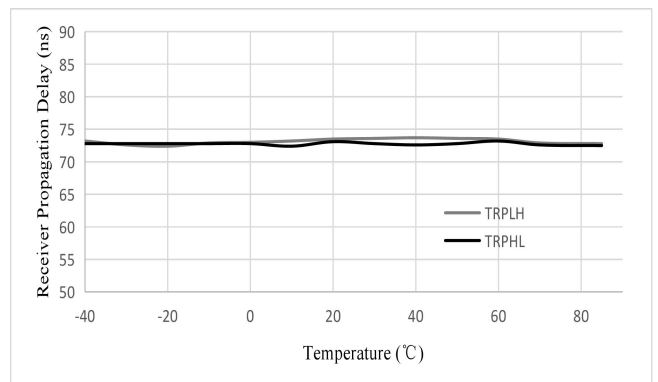


Figure 10 Receiver Propagation Delay vs. Temperature

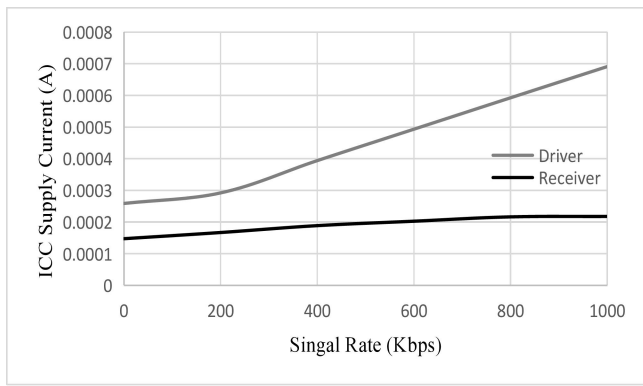


Figure 11 RMS Supply Current vs. Signaling Rate

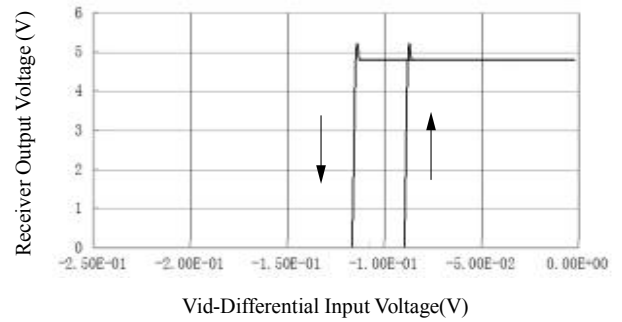


Figure 12 Receiver output voltage vs. Differential input voltage

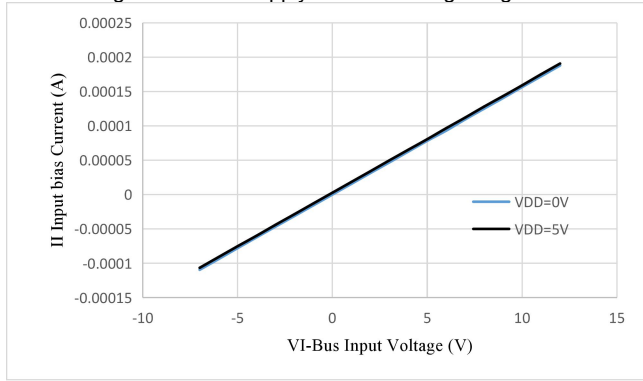


Figure 13 Bus input current vs. Bus input voltage

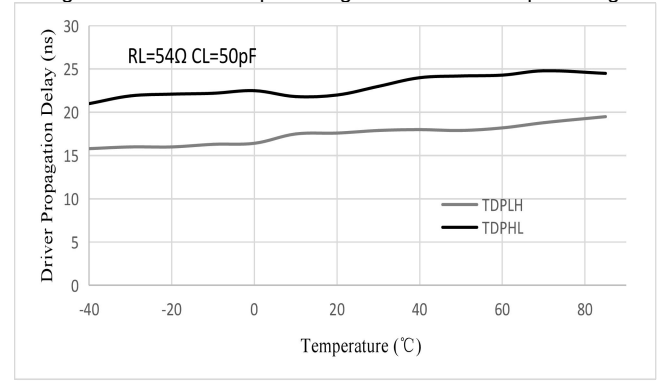


Figure 14 Driver propagation delay vs. Temperature

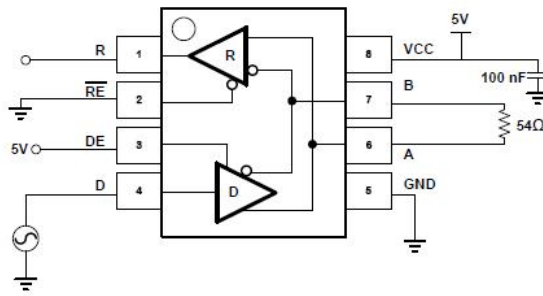
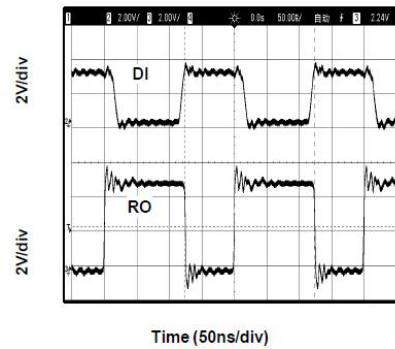


Figure 15 Loopback Test Circuit



Test Circuits

NOTE: Load test capacitance includes probe and test fixture stray capacitance, unless otherwise specified. Signal generator with following characteristics: Rise and fall time < 6ns, pulse rate 100kHz, 50% duty cycle, $Z_0 = 50\Omega$ (unless otherwise specified).

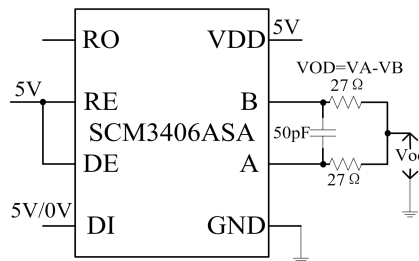


Figure 16 Driver Test Circuit, V_{OD} and V_{OC} Without Common-Mode Loading

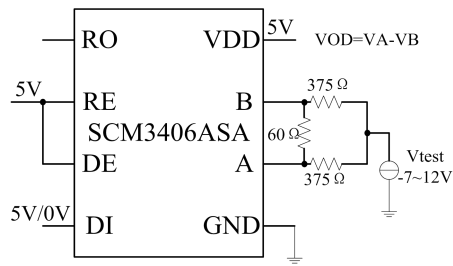


Figure 17 Driver Test Circuit, V_{OD} With Common-Mode Loading

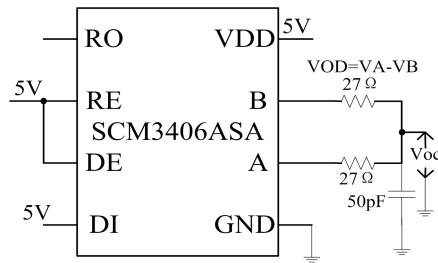


Figure 18 Driver V_{OC} Test Circuit

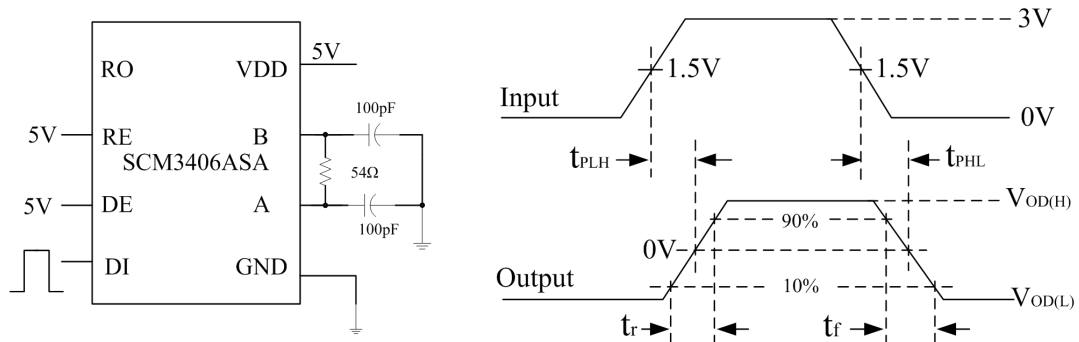


Figure 19 Driver Switching Test Circuit and Waveforms

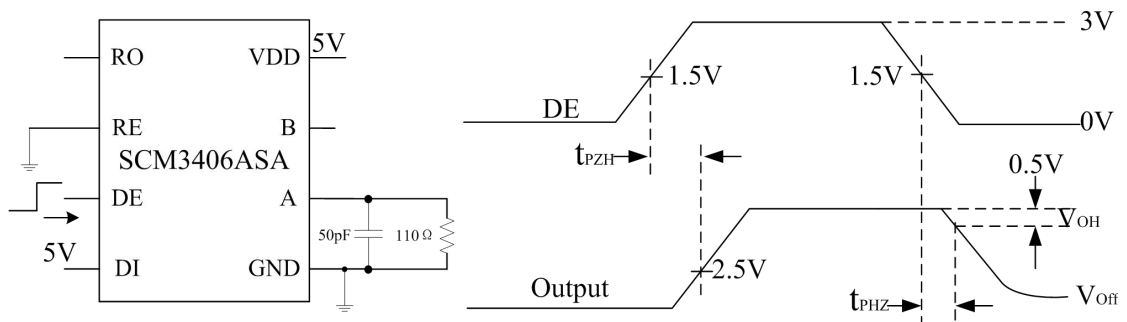


Figure 20 Driver Enable/Disable Test Circuit and Waveforms, High Output

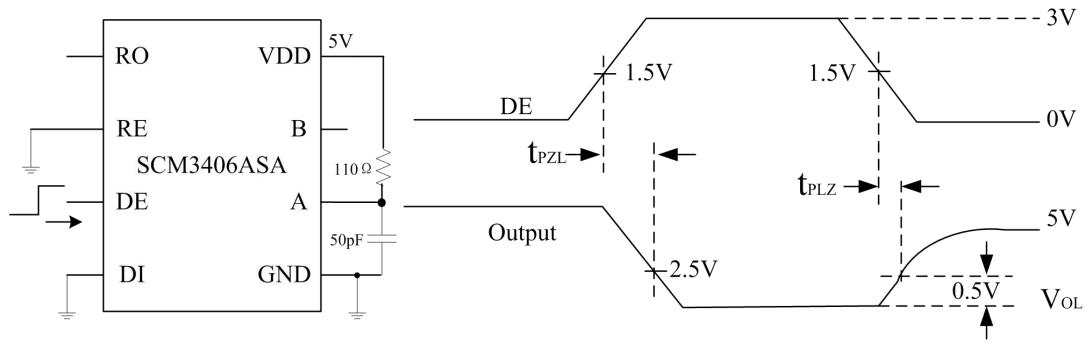


Figure 21 Driver Enable/Disable Test Circuit and Waveforms, Low Output

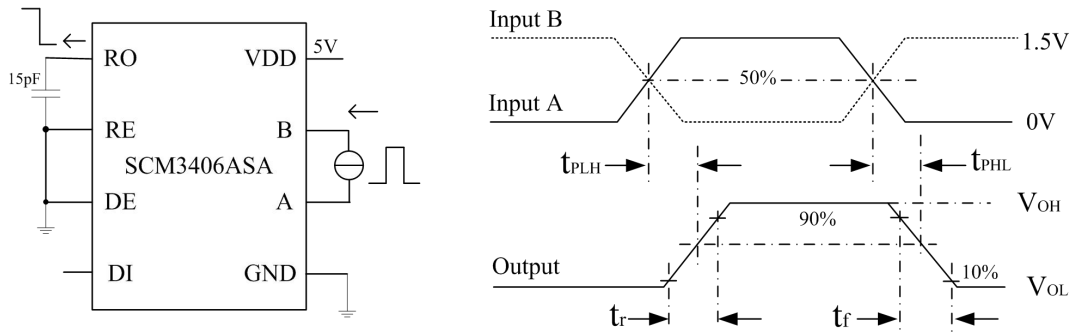


Figure 22 Receiver Switching Test Circuit and Waveforms

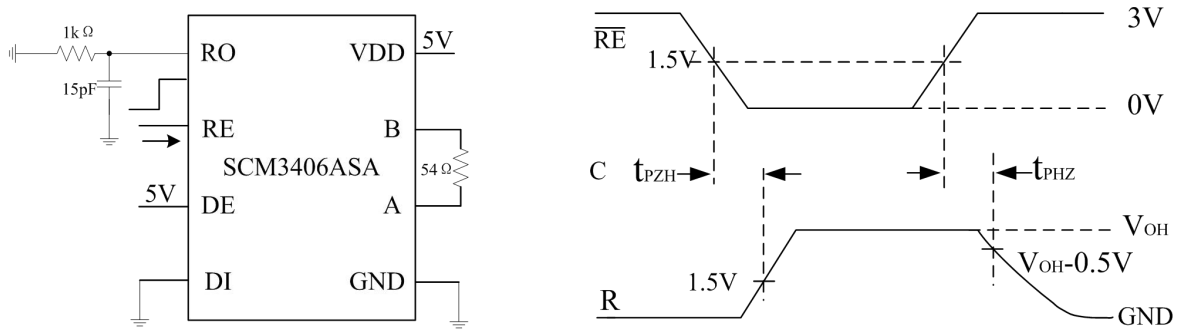


Figure 23 Receiver Enable/Disable Test Circuit and Waveforms, Data Output High

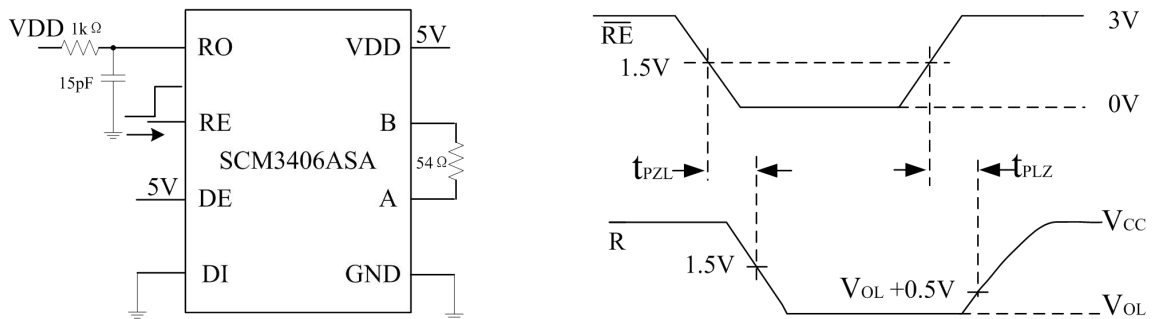


Figure 24 Receiver Enable/Disable Test Circuit and Waveforms, Data Output Low

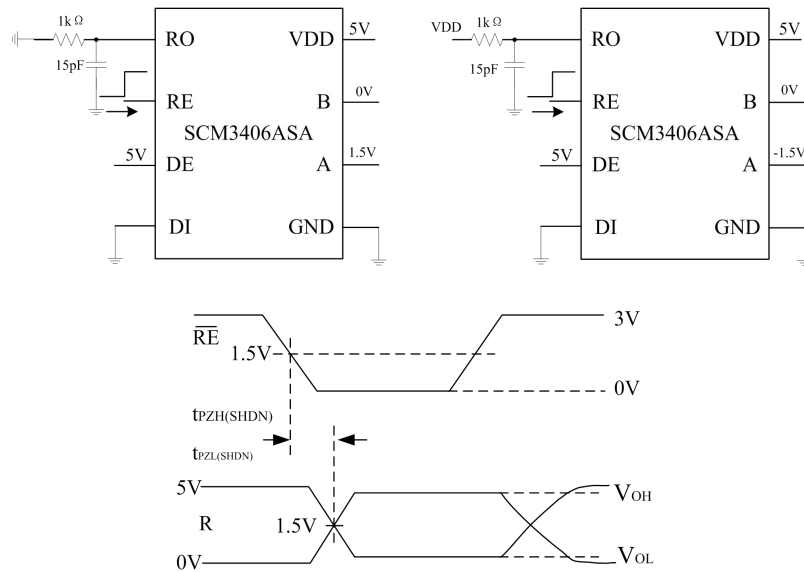


Figure 25 Receiver Enable from Shutdown Test Circuit and Waveforms

Detailed Description

The SCM3406ASA series are advanced RS-485 transceivers. They each contain one driver and one receiver. These devices feature a fail-safe circuitry that guarantees a high receiver output voltage when the receiver inputs are either open, shorted or when they are connected to a terminated transmission line with all drivers disabled. These devices operate with a single 3.0V or 5.0V supply. Drivers limit the output current by over current protection, to avoid the damage to the transceivers.

Receiver input filter: The SCM3406ASA receivers have an integrated input filter which enhances noise immunity of the high-speed differential signals. The receiver propagation delay increases due to this filtering.

Bus fail-safe: Ordinary RS485 bus receivers will be in an indeterminate state when $-220\text{mV} < A - B < 40\text{mV}$. This situation can occur whenever the data bus is not being actively driven. The advanced Fail-safe feature of the SCM3406ASA guarantees a high receiver output voltage if the receiver's differential inputs are either shorted, open circuit, or if they are connected to a termination resistor. The SCM3406ASA receiver thresholds are very precise, and the offset between threshold voltage and ground has a margin of at least 40mV.

Load abilities on the bus (256 nodes): The standard receiver input impedance of RS-485 is 12kΩ (1 unit load). A standard RS485 driver can drive at least 32 unit loads. The SCM3406ASA transceiver is design to 1/8th of the standard unit load and the input impedance is higher than 96kΩ, hence allowing up to 256 unit loads, in other words eight times as many. The SCM3406ASA can work combined with other standard RS485 that use the smaller amount of unit loads.

Driver output protection: The device prevents excessive output current caused by fault conditions or driver short circuit. A driver current limit on the output stage provides and ensures immediate protection against short circuits over the entire common mode voltage range.

Expansion Output Design

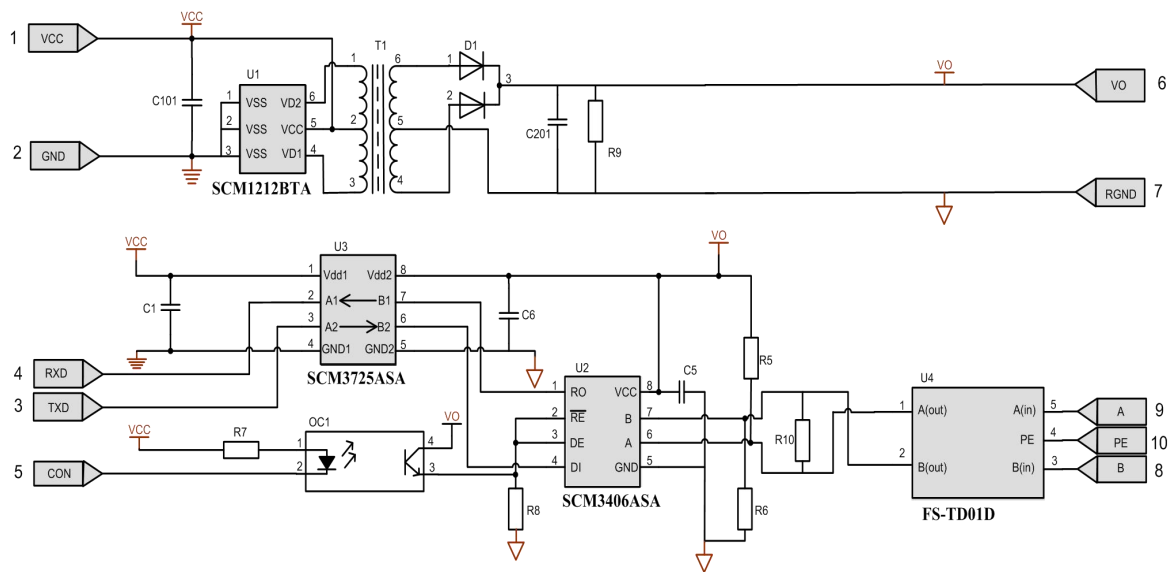


Fig. 26 Schematic diagram of isolation application circuit for UART to RS485 signal

Suggestions for Power Supply

If the input power is a few inches from the SCM3406ASA, as much as possible, connect a 0.1 μ F bypass capacitor to the VCC pin and a 10 μ F capacitor near the center tap pin of the transformer.

Ordering Information

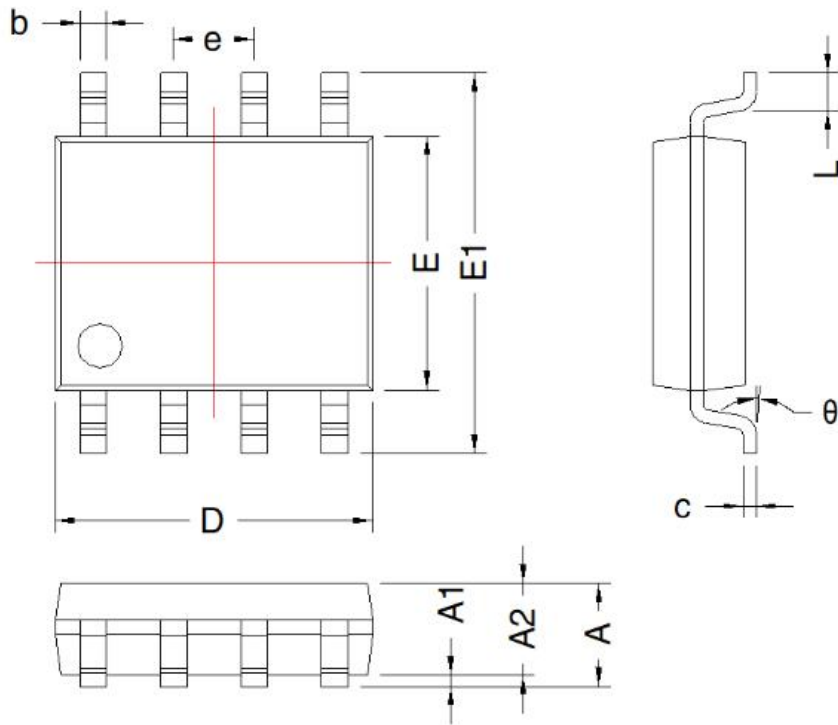
Part number	Package	Number of pins	Product Marking	Tape & Reel
SCM3406ASA	SOP	8	SCM 3406ASA YM	3k/REEL

Product marking and date code

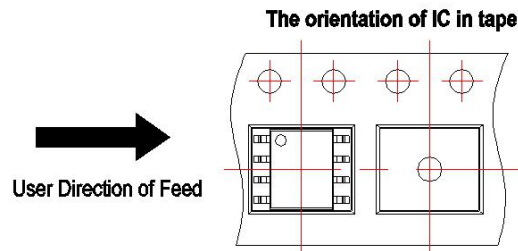
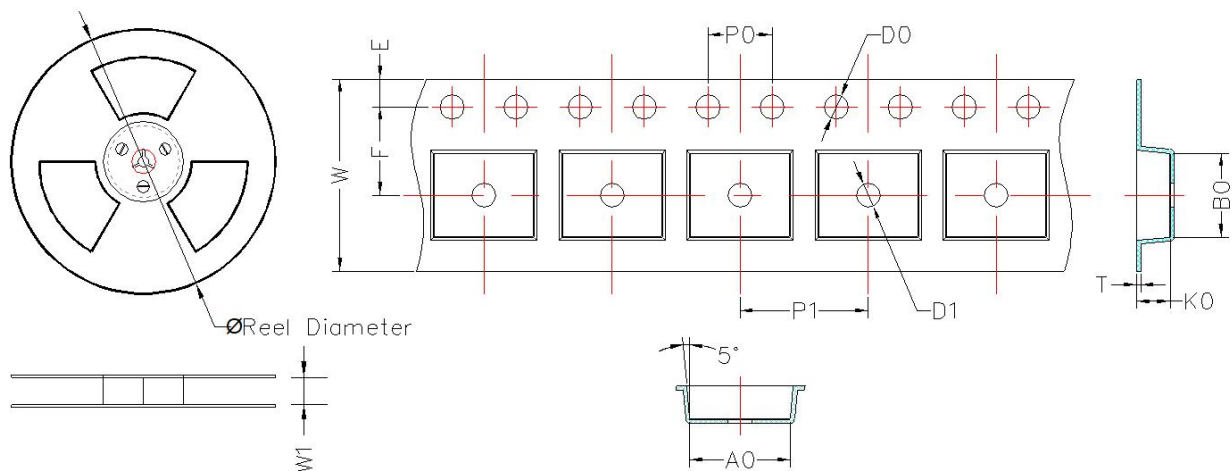
SCM3406XYZ:

- (1) SCM3406 = Product designation.
- (2) X = Version code information (A-Z).
- (3) Y = Packaging definition code; S for SOP package,
- (4) Z = Operating temperature range (C = 0 $^{\circ}$ C to +70 $^{\circ}$ C, I = -40 $^{\circ}$ C to +85 $^{\circ}$ C, A = -40 $^{\circ}$ C to +125 $^{\circ}$ C, M = -55 $^{\circ}$ C to +125 $^{\circ}$ C).
- (5) YM = Date code for product traceability; Y = code for production year; M = code for production month.

THIRD ANGLE PROJECTION 



SOP-8				
Mark	Dimension(mm)		Dimension(inch)	
	Min	Max	Min	Max
A	1.35	1.75	0.053	0.069
A1	0.10	0.25	0.004	0.010
A2	1.35	1.55	0.053	0.061
D	4.70	5.10	0.185	0.201
E	3.80	4.00	0.150	0.157
E1	5.80	6.20	0.228	0.244
L	0.40	0.80	0.016	0.031
b	0.33	0.51	0.013	0.020
e	1.27BSC		0.05BSC	
c	0.17	0.25	0.007	0.010
θ	0°	8°	0°	8°



Device	Package Type	MPQ	Reel Diameter (mm)	Reel Width W1 (mm)	A0 (mm)	B0 (mm)	K0 (mm)	T (mm)	W (mm)	E (mm)	F (mm)	P1 (mm)	P0 (mm)	D0 (mm)	D1 (mm)
SCM3406ASA	SOP-8	3000	330.0	12.4	6.5±0.2	5.45±0.2	2.0±0.2	0.3±0.05	12.0±0.3	1.75±0.1	5.5±0.1	8.0±0.1	4±0.1	1.5±0.1	1.5±0.1

Technical requirement :

1. Color : Blue (Reference color number :
 PANTONE DS 196-1 C; C100 M70 Y0 K0
 PANTONE DS 197-1 C; C100 M70 Y0 K10
 PANTONE DS 205-1 C; C100 M60 Y0 K20
 PANTONE DS 205-2 C; C85 M50 Y0 K20
 PANTONE DS 206-2 C; C85 M50 Y0 K35
 PANTONE DS 219-1 C; C90 M50 Y5 K15)
2. Dimensions and tolerances according to ANSI/EIA-481-C-2003;
3. Disk surface good finish, no warping deformation;
4. External packing in good condition, no damage or pollution;

Mornsun Guangzhou Science & Technology Co., Ltd.

No. 5, Kehui St. 1, Kehui Development Center, Science Ave., Guangzhou Science City, Huangpu District, Guangzhou, P. R. China

Tel: 86-20-38601850 Fax: 86-20-38601272 Email: sales@mornsun.cn www.mornsun-power.com