

Data sheet

Commercial Art.No.: 92.933.0453.0

Connector GST18I3F B2 ZR1 BR05

GST18i3 connector, 3 pole, female with spring force connection, coding switching function 250 V, 20 A, coding color brown, strain relief color black



| | |
|--------------------|---------------|
| Commercial Art.No. | 92.933.0453.0 |
| EAN | 4015573692800 |
| Order Unit | 1 |

Certificates / Approvals



Technical data

General

| | |
|--|----------------------------------|
| Rated current | 10 A |
| Rated voltage | 250 V |
| Rated impulse voltage | 4 kV |
| strain relief | yes |
| Pollution degree | 2 |
| Mechanical coding | Code 4 |
| Lockable | self-locking (unlocking by tool) |
| Color of coding/ contact carrier | brown |
| Marking of poles | 1, 2, 3 |
| Color of housing inclusive strain relief | black |

Connection Data

| | |
|---|---------------------|
| Cable diameter max. | 10.3 mm |
| Cable diameter min. | 7.8 mm |
| Connection cross section solid mm ² max. | 2.5 mm ² |
| Connection cross section solid mm ² min. | 0.5 mm ² |
| Connection cross section fine stranded mm ² max. | 1.5 mm ² |
| Connection cross section fine stranded mm ² min. | 0.5 mm ² |
| Terminations per pole | 2 |
| sheath strip length | 45 mm |
| Wire strip length | 9 mm |

Model

| | |
|---------------------------|-------------------------|
| Model | female |
| Connection type | spring clamp connection |
| Degree of protection (IP) | IP20 |

| | |
|------------------------------|--|
| Remark to type of connection | Fine stranded and stranded conductors require cable end sleeve |
|------------------------------|--|

Material

| | |
|--|------------|
| Housing material | Polyamide |
| halogen free | yes |
| Contact material | CuZn |
| Fire load | 0.12 kWh |
| Insulation components continuous temperature | 100 °C |
| Surface finish | Tin-plated |

Dimensions

| | |
|--------|---------|
| Length | 75 mm |
| Width | 32.5 mm |
| Height | 15.5 mm |

Classification

| | |
|------------|----------|
| ECLASS 11 | |
| ECLASS 8.1 | 27440605 |
| ETIM 7.0 | EC002560 |
| ETIM 6.0 | EC002560 |
| ETIM 5.0 | EC002560 |
| ETIM 4.0 | EC002560 |

Product compliance

| | |
|------------------------------|--------------------|
| ROHS conformity status | Compliant/Exempted |
| ROHS exceptions | III-6(c) |
| REACH-SVHC conformity status | Duty-To-Declare |
| REACH-SVHC substances | Lead |
| REACH-SVHC CAS numbers | 7439-92-1 |

Accessories

| Commercial Art.No.: | Article-type description: | Description: |
|---------------------|-----------------------------------|---|
| 05.587.3156.0 | Lock (G)ST18 WS | Locking device for cable to cable connection GST18i3-5, white |
| 06.561.7853.0 | mounting frame GST18i3 SW | Mounting frame to snap in GST18i3 connectors into a housing or furniture. Wall thickness: 1,5-2,5 mm. Holds GST18i3 connectors with screw or spring connection and pre- assembled cables. |
| 05.561.3653.0 | cover cap GST18i3VS B WS | Cover piece for female GST18i3, white |
| 05.561.3653.1 | cover cap GST18i3VS B SW | Cover piece for female GST18i3, black |
| 05.564.5353.0 | cover cap GST18i3/4/5 SW | Cover piece 12 pole black for female parts GST18i3-6 |
| 05.564.5353.2 | cover cap GST18i3/4/5 WS | Cover piece 12 pole white for female parts GST18i3-6 |
| 05.594.4250.0 | cover cap ST18/3B + GST18i3 ST WS | |
| 05.594.4253.0 | cover cap ST18/3B + GST18i3 ST WS | |
| 05.587.3156.1 | Lock (G)ST18 SW | Locking device for cable to cable connection GST18i3-5, black |

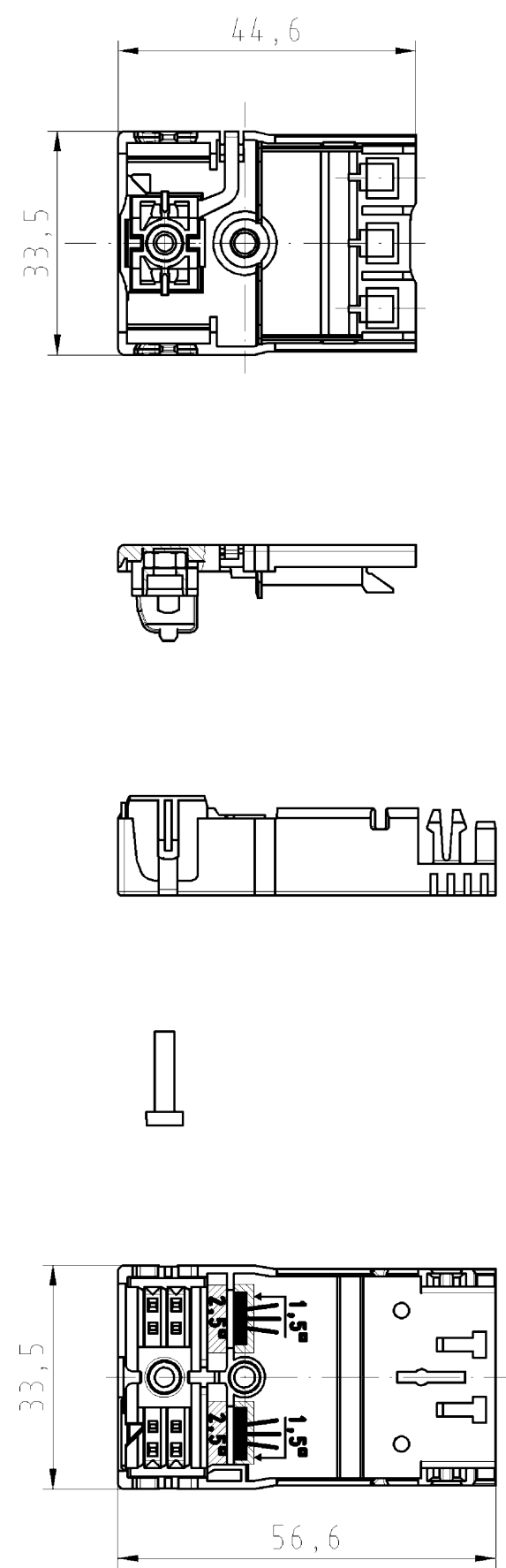
Fits with

| Commercial Art.No.: | Article-type description: | Description: |
|---------------------|----------------------------------|--|
| 92.034.0058.0 | Device connector GST18i3L S1H WS | GST18i3 PCB mount with additional mounting option, 3 pole, male (horizontal), coding mains 250 V, 20 A, coding color white |

| | | |
|---------------|--------------------------------------|---|
| 92.034.0158.0 | Device connector GST18i3L S1H GR01 | GST18i3 PCB mount with additional mounting option, 3 pole, male (horizontal), coding UPS 250 V, 20 A, coding color pebble grey |
| 92.034.0658.0 | Device connector GST18i3L S1H BR05 | GST18i3 PCB mount with additional mounting option, 3 pole, male (horizontal), coding switching function 250 V, 20 A, coding color brown |
| 92.297.1003.0 | Cable assembly GST18i3KSB- 15 10TR01 | GST18i3 extension cable female - free end, length 1.0 m, 3 pole, coding UPS 250 V, 16 A, coding color tomato red, strain relief color black, cable color black, cross section 1.5 mm ² , cable type H05VV-F, fire class: Eca |
| 92.232.1004.4 | Cable assembly GST18i3KS-S 15 10BR05 | GST18i3 extension cable male - free end, length 1.0 m, 3 pole, coding switching function 250 V, 16 A, coding color brown, strain relief color black, cable color black, cross section 1.5 mm ² , cable type H05VV-F, fire class: Eca |
| 92.232.1003.4 | Cable assembly GST18i3KSB- 15 10BR05 | GST18i3 extension cable female - free end, length 1.0 m, 3 pole, coding switching function 250 V, 16 A, coding color brown, strain relief color black, cable color black, cross section 1.5 mm ² , cable type H05VV-F, fire class: Eca |
| 92.232.1000.4 | Cable assembly GST18i3KSBS 15 10BR05 | GST18i3 connection cable female - male, length 1.0 m, 3 pole, coding switching function 250 V, 16 A, coding color brown, strain relief color black, cable color black, cross section 1.5 mm ² , cable type H05VV-F, fire class: Eca |
| 92.034.0358.0 | Device connector GST18i3L S1H GN07 | geis® device connector, PCB mount, GST18i3, 3 pole, horizontal, male, 250 V, 20 A, colour of coding: may green |
| 92.034.0558.0 | Device connector GST18i3L S1H TB06 | GST18i3 PCB mount with additional mounting option, 3 pole, male (horizontal), coding mains 250 V, 20 A, coding color turquoise blue |
| 92.034.0458.0 | Device connector GST18i3L S1H PB04 | GST18i3 PCB mount with additional mounting option, 3 pole, male (horizontal), coding not SELV, 20 A, coding color pastel blue |
| 92.934.0453.0 | Connector GST18i3F S2 ZR1 BR05 | GST18i3 connector, 3 pole, male with spring force connection, coding switching function 250 V, 20 A, coding color brown, strain relief color black |

These dimensions will be especially checked at delivery
 Only inspection dimensions
 With /E marked dimensions are only valid for internal use

Diese Maße werden bei Abnahme besonders geprüft
 Ausschließlich Prüfmaße
 Mit /E gekennzeichnete Maße sind nur für interne Zwecke gültig



Weitere Daten siehe Katalog
 further data see catalog

| | | | | | | | |
|--|--|---|--|---|--|---|--|
| Tolerierung nach DIN 7167/Tolerance system acc. to DIN 7167. (This DIN-standard describes the envelope principle. According to the envelope principle the deviations of form and parallelism are limited by the size tolerances). | | | | ja/yes <input checked="" type="checkbox"/> Stoffverbots- und Deklarationsliste nach WN 5020.010 ist einzuhalten. Conformity with Wieland document WN 5020.010_e (list of prohibited / declarable hazardous substances) to be declared! | | | |
| Freitoleranz nach General tolerance | | CAD - Zeichnung, keine manuellen Änderungen CAD - drawing, no manual modifications allowed | | 1. Verwendung: First Use: | | Blatt: 1 von 1 Sheet: 1 of 1 | |
| | | Werkstoff/Material Farbe: oxidrot colour: oxide red | | 2010 Tag/Date Name | | Zeichnung Nr./Drawing No. | |
| | | Maßstab/Scale 1:1 | | gezeichnet/drawn 01.12. Dütsch T. | | 92.933.0453.0 01K | |
| | | Vol. mm ³ Ofl./Surf. mm ² | | Ersatz für/Replacement for: - | | Maße in mm/Dimensions are in mm | |
| | | wieland | | Type GST1813F | | Benennung/Title FEMALE CONNECTOR WITH STRAIN RELIEF BUCHSENTEIL MIT ZUGENTLASTUNG | |
| Index Datum / Blatt Date / Sheet | | Elektrische Verbindungen | | B2 ZR1 BR05 | | m. Federkraftanschluß/with spring clamp connection 16A 250V AC 2,5qmm | |
| Änderung/Revision | | | | | | | |

Weitergabe sowie Vervielfältigung dieses Dokuments, Verwertung und Mitteilung seines Inhalts sind verboten, soweit nicht ausdrücklich gestattet.
 The reproduction, distribution and utilization of this document as well as the communication of its contents to others without express authorization is prohibited.

929330453001K_4_CADW2037_Duetsch 2010-12-01TT 330/00 1.000