

Data sheet

Commercial Art.No.: 4L.021.3043.9

Connector RST08i3/2S 11 ZR1SH BL

RST08i3/2 connector with longitudinal sealing, 2 pole, female, screw connection, application 250V/400V, 8A, for cable diameters 4-7mm, coding color light blue, color of housing black



| | |
|--------------------|---------------|
| Commercial Art.No. | 4L.021.3043.9 |
| EAN | 4049088481888 |
| Order Unit | 1 |

Certificates / Approvals



LR

RINA



Technical data

General

| | |
|--|----------------------------------|
| Rated current | 8 A |
| Rated voltage | 250 V / 400 V |
| Rated impulse voltage | 2.5 kV |
| strain relief | yes |
| Pollution degree | 3 |
| Lockable | self-locking (unlocking by hand) |
| Color of coding/ contact carrier | light blue |
| Marking of poles | 1, 2/N |
| Color of housing inclusive strain relief | black |

Connection Data

| | |
|---|----------------------|
| Cable diameter max. | 7 mm |
| Cable diameter min. | 4 mm |
| Connection cross section solid mm ² max. | 1 mm ² |
| Connection cross section solid mm ² min. | 0.2 mm ² |
| Connection cross section fine stranded mm ² max. | 1 mm ² |
| Connection cross section fine stranded mm ² min. | 0.22 mm ² |
| Terminations per pole | 1 |
| sheath strip length | 18 mm |
| Wire strip length | 6 mm |

Model

| | |
|---------------------------|-----------------------|
| Model | female |
| Connection type | screw connection |
| Degree of protection (IP) | IP66/68 (3m;2h) /IP69 |

| | |
|----------------------|-----|
| Longitudinal sealing | yes |
|----------------------|-----|

Material

| | |
|--|---------------|
| Housing material | Polyamide |
| halogen free | yes |
| Contact material | CuZn |
| Fire load | 0 kWh |
| Insulation components continuous temperature | 100 °C |
| Surface finish | Silver-plated |
| UL classification housing | UL-V0 |
| UL classification strain relief | UL-V0 |

Dimensions

| | |
|--------|---------|
| Length | 42.5 mm |
| Width | 14.9 mm |
| Height | 14.9 mm |

Note

| | |
|------|---|
| Note | RST® terminals with screw clamping allow the connection of conductors without special preparation (without ferrules) according to EN 60999-1.; Use only one connector with contact sealing - either male or female connector. |
|------|---|

Classification

| | |
|------------|----------|
| ECLASS 11 | |
| ECLASS 8.1 | 27440605 |
| ETIM 7.0 | EC002560 |
| ETIM 6.0 | EC002560 |
| ETIM 5.0 | EC002560 |
| ETIM 4.0 | EC002560 |

Product compliance

| | |
|------------------------------|--------------------|
| ROHS conformity status | Compliant/Exempted |
| ROHS exceptions | III-6(c) |
| REACH-SVHC conformity status | Duty-To-Declare |
| REACH-SVHC substances | Lead |
| REACH-SVHC CAS numbers | 7439-92-1 |

Accessories

| Commercial Art.No.: | Article-type description: | Description: |
|---------------------|-------------------------------|--|
| 06.563.5053.1 | Cover for female connector SW | RST08i3/2 cover piece, for covering unused female connectors, with fastening belt, color black |
| 06.502.6100.0 | allen key RST MICRO SW 0,9 | Pin wrench for screw terminals RST® MICRO |
| 06.502.6300.0 | screwdriver RST MICRO SW 0,9 | Hexagonal wrench for screw terminals RST® MICRO |

Fits with

| Commercial Art.No.: | Article-type description: | Description: |
|---------------------|---------------------------|--------------|
| | | |

| | | |
|---------------|--|--|
| 41.022.4043.9 | Device connector RST08i3/2S S1 M02H BL | RST08i3/2 device connector M14, 2 pole, male, screw connection, application 250V/400V, 8A, coding color light blue |
| 41.022.3043.9 | Connector RST08i3/2S S1 ZR1SH BL | RST08i3/2 connector, 2 pole, male, screw connection, application 250V/400V, 8A, for cable diameters 4-7mm, coding color light blue, color of housing black |

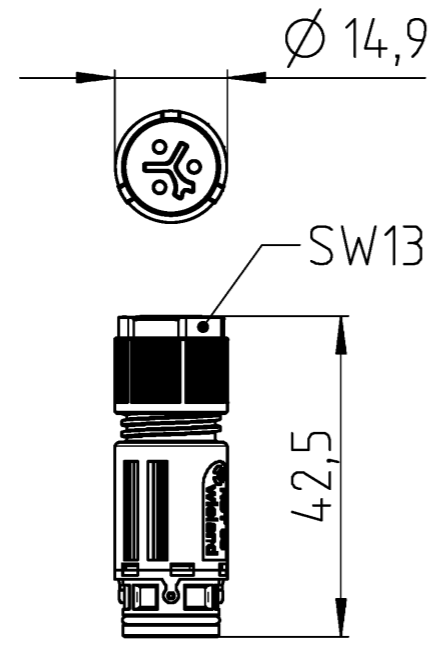
A
 Weitergabe sowie Vervielfältigung dieses Dokuments, Verwertung und Mitteilung seines Inhalts sind verboten, soweit nicht ausdrücklich gestattet.
 The reproduction, distribution and utilization of this document as well as the communication of its contents to others without express authorization is prohibited.

B
 These dimensions will be especially checked at delivery
 Only inspection dimensions
 With /E marked dimensions are only valid for internal use

C
 Diese Maße werden bei Abnahme besonders geprüft
 Ausschließlich Prüfmäße
 Mit /E gekennzeichnete Maße sind nur für interne Zwecke gültig

D
 F
 Änderung / Revision

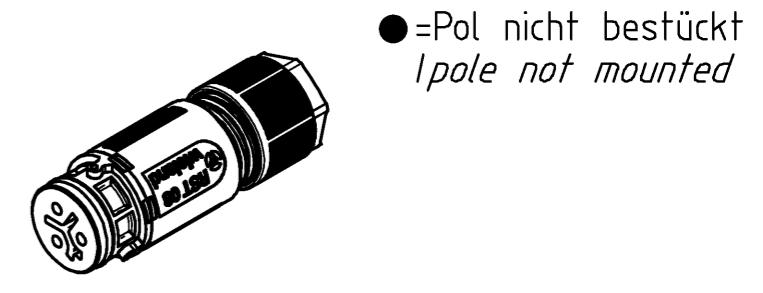
Gezeichnete Ausführung/drawn version
 41.031.3053.1



Auslieferungszustand/
 delivery status



| Teile-Nr. /part-no. | Type | Kodierung / coding |
|------------------------|-------------------------|-----------------------|
| 41.031.3053.1 | RST08i3 S B1 ZR1 H SW | C1 |
| 4L.031.3053.1 | RST08i3 S 11 ZR1 H SW | |
| 41.031.3043.9 | RST08i3 S B1 ZR1SH BL | C2 |
| 4L.031.3043.9 | RST08i3 S 11 ZR1SH BL | |
| 41.031.3041.4 | RST08i3 S B1 ZR1SHL SG | C3 |
| 4L.031.3041.4 | RST08i3 S 11 ZR1SHL SG | |
| 41.031.3051.8 | RST08i3 S B1 ZR1SHL KG | C4 |
| 4L.031.3051.8 | RST08i3 S 11 ZR1SHL KG | |
| 41.021.3043.1 | RST08i3/2S B1 ZR1 H SW | C1 |
| 4L.021.3043.1 | RST08i3/2S 11 ZR1 H SW | |
| 41.021.3043.9 | RST08i3/2S B1 ZR1SH BL | C2 |
| 4L.021.3043.9 | RST08i3/2S 11 ZR1SH BL | |
| 41.021.3041.4 | RST08i3/2S B1 ZR1SHL SG | C3 |
| 4L.021.3041.4 | RST08i3/2S 11 ZR1SHL SG | |
| 41.021.3041.8 | RST08i3/2S B1 ZR1SHL KG | C4 |
| 4L.021.3041.8 | RST08i3/2S 11 ZR1SHL KG | |



Weitere Daten siehe KATALOG oder eKatalog
 additional data see CATALOG or eCATALOG
www.wieland-electric.com
eshop.wieland-electric.com

| | | | |
|---|---|---|-----------------------------------|
| Tolerierung Size ISO 14405 © / Tolerance system Size ISO 14405 ©. (This ISO-standard describes the envelope principle. According to the envelope principle the deviations of form and parallelism are limited by the size tolerances). | | ja/yes <input checked="" type="checkbox"/> Stoffverbots- und Deklarationsliste nach WN 5020.010 ist einzuhalten. Conformity with Wieland document WN 5020.010 e (list of prohibited / declarable hazardous substances) to be declared! | |
| Freitoleranz nach General tolerance | CAD - Zeichnung, keine manuellen Änderungen CAD - drawing, no manual modifications allowed | 1 Verwendung: First Use: | Blatt: Sheet: 1 von 1 of 1 |
| / | Werkstoff / Material | Tag/Date | Name |
| / | | gezeichnet drawn 22.02.2018 | Hollet |
| / | Maßstab / Scale | geprüft checked | |
| / | 1:1 | Normgepr. Stand. check | |
| / | Vol. mm ³ Dfl./Srf. mm ² | Ersatz für / Replacement for: | |
| / | | Type | Benennung/Title |
| a | 12.03.2020 / | wieland RSTmicro | BUCHSENTEIL_FA_ZE |
| Index | Datum / Blatt Date / Sheet | www.wieland-electric.com | female with strain relief |
| / | | | Maße in mm / Dimensions are in mm |
| / | | | 41.031.3053.1 13K a |
| / | | | |